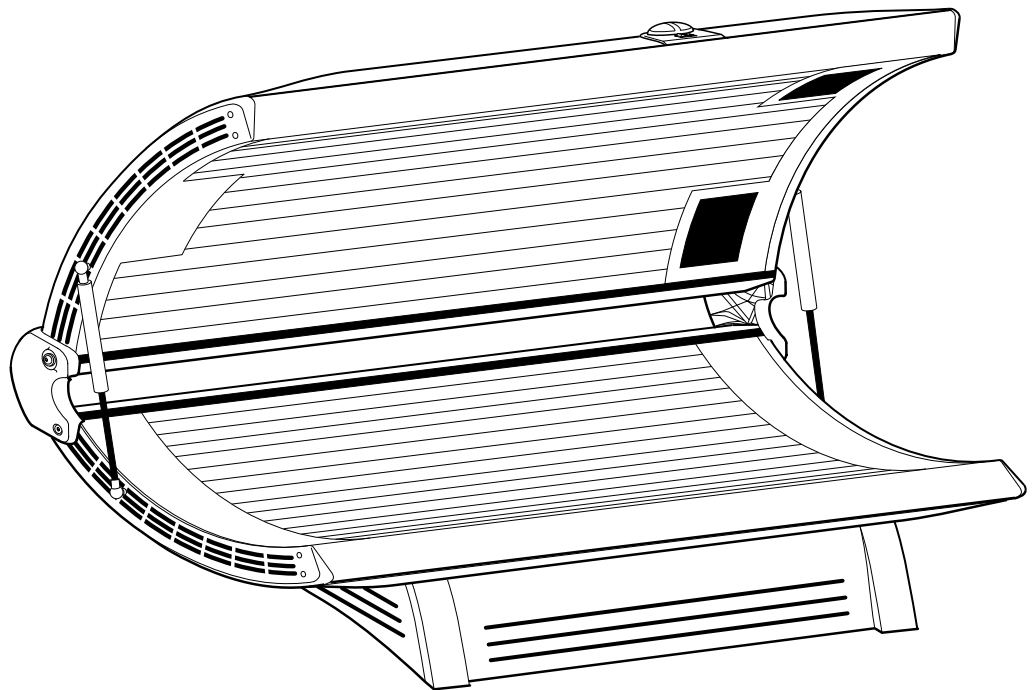


SUNVISION®

ASSEMBLY AND USER GUIDE



MODELS PRO 24S / 24SF / 24ST
28LX / 28LXF / 28LX 2F / 28LXT

Limited Lifetime Warranty

SUNVISION® warrants your tanning unit to be free of structural defects in its material and workmanship, under normal use, for its lifetime. **SUNVISION** will repair or replace, at their discretion, any defect to the structure which affects the performance of the unit.

For 6 months from the date of purchase, **SUNVISION** will provide replacements for parts that prove to be defective in material or workmanship. Acrylic shields, fluorescent lamps, and lamp starters are excluded from this warranty. Labor will be covered for 30 days from purchase date. Normal wear, damage from misuse or abuse, damage incurred in transit, or damage done by unauthorized repairs or modifications are not covered by this warranty.

ETS, Inc. disclaims any implied warranty of merchantability or fitness for any period beyond the expressed warranty. Some states do not allow limitations on how long an implied warranty lasts, so the above limitations may not apply to you.

No one has authority to change or modify this Limited Lifetime Warranty in any respect. To obtain service under the Limited Lifetime Warranty, contact **ETS, Inc.** at 1-800-228-6292, and ask for the Technical Service Department.

ETS, Inc. SHALL NOT BE LIABLE FOR LOSS OF USE, LOSS OF TIME, INCONVENIENCE, RENTAL OR SUBSTITUTE PRODUCTS, LOSS OF BUSINESS, LOSS OF INCOME, OR ANY OTHER INCIDENTAL OR CONSEQUENTIAL DAMAGES. Some states do not allow the exclusion or limitation of incidental or consequential damages, so the above limitation or exclusion may not apply to you.

This warranty gives you specific legal rights, and you may also have other rights which may vary from state to state.

All warranty service must be performed by an authorized service person. If your tanning unit must be returned for service, all freight charges must be at your expense. Contact your place of purchase for the address of the **SUNVISION** Service Center nearest you. Proof of purchase is required to obtain warranty service.

This warranty covers the original purchaser only. This warranty is void if the unit is modified in any manner from its original design.

Welcome



Congratulations on your purchase of this technologically advanced sun tanning unit. It has been designed to provide years of dependable service for you.

Please read all the instructions in this booklet before installing and using the unit. Always be sure to observe all safety precautions.

Contents



Safety Informationiii
Installation	1
Unpacking and Inspection	1
Tools Required	2
Pre-Installation Planning	3
Assembly Procedures	4
Making Electrical Connections	10
Operation	11
Before You Tan	11
Exposure Times	11
Using Your Sunbed	12
Care and Maintenance	13
Cleaning After Use	13
Thorough Periodic Cleaning	13
Mechanical Inspection	13
Replacing Lamps	14
Timer Maintenance	17
Troubleshooting	18
Obtaining Serviceback cover

Safety Information



LABELING NOTICE: Labels are affixed on all systems to inform the user of possible dangers. Regulations are stated in 21 CFR, Section 1040.20, and require that all products manufactured after September 8, 1986 which use sunlamps must display the following:

DANGER Ultraviolet radiation. Follow instructions. Avoid overexposure. As with natural sunlight, overexposure can cause eye and skin injury and allergic reactions. Repeated exposure may cause premature aging of the skin and skin cancer. WEAR PROTECTIVE EYEWEAR; FAILURE TO MAY RESULT IN SEVERE BURNS OR LONGTERM INJURY TO THE EYES.

Medications or cosmetics may increase your sensitivity to the ultraviolet radiation. Consult a physician before using sunlamp if you are using medications or have a history of skin problems or believe yourself especially sensitive to sunlight. If you do not tan in the sun, you are unlikely to tan from the use of this product.

Minimum use distance from face tanner is 1 inch or 2.54 centimeters. Minimum use distance elsewhere is touching the clear plastic panels. Do not use without clear plastic panels (or wire grid for models using wire grid) in place. Tanning normally appears after the first few sessions and maximizes after approximately four weeks. Tan once or twice per week thereafter to maintain appearance. Frequency of sessions should be limited to every other day. Persons already having a base tan may begin at advanced levels corresponding to the extent of their base tan.

RECOMMENDED EXPOSURE TIMES IN MINUTES		MAXIMUM EXPOSURE TIME IS 20 MINUTES				
Skin Type:	Week # Session #	Week 1 1st-3rd	Week 2 4th-6th	Week 3 7th-10th	Week 4 11th-13th	Subsequent Maximum
I Sensitive Skin (Burns easily and severely and does not tan.)		NOT RECOMMENDED FOR TANNING				
II Light (Burns easily and severely and tans minimally.)		4	8	12	16	20
III Normal (Burns moderately and tans average.)		6	10	15	20	20
IV Dark (Burns minimally, tans easily and above average.)		8	12	16	20	20

New lamps emit approximately 20% more UV during the first 50 hours of operation. Recommended tanning times should therefore be reduced by approximately 20% during that period.

WARNING:

- Read the instructions booklet before using this sunlamp product.
- To use, lie down under canopy and pull down as far as adjustment will allow. All persons in the room should wear protective eyewear when lamps are on.
- Recommended eyewear: provided eyeshields (Lucas Products Super Sunnies or Intrexco No. 5635/1) or equivalent eyewear as defined under 21 CFR 1040.20. Other types of eyewear may not provide adequate protection.
- Disconnect power cord before attempting to clean, relamp, or engage in the maintenance of this product.

ONLY THE FOLLOWING LAMPS HAVE BEEN CERTIFIED FOR USE IN THE MODELS PRO 24S, 28LX:

Diamond Sun® S Wolff® Model 71T12100W

ONLY THE FOLLOWING LAMPS HAVE BEEN CERTIFIED FOR USE IN THE MODEL PRO 24SF:

Diamond Sun® S Wolff® Model 71T12100W & Model 59T12080W
Philips Model HPA 400/30s or CosmoTech Model 23045 or 20046 (Facial Unit)

ONLY THE FOLLOWING LAMPS HAVE BEEN CERTIFIED FOR USE IN THE MODELS PRO 24ST, 28LXT:

Diamond Sun® S Wolff® Model 71T12100W
Turbo Sun™ S Wolff® Model F8-T5-10W

ONLY THE FOLLOWING LAMPS HAVE BEEN CERTIFIED FOR USE IN THE MODELS PRO 28LXF, 28LX2F:

Diamond Sun® S Wolff® Model 71T12100W
Philips Model HPA 400/30s or CosmoTech Model 23045 or 20046 (Facial Unit)

THIS EQUIPMENT MUST BE CONNECTED TO A GROUNDED OUTLET. THIS PRODUCT IS IN CONFORMITY WITH PERFORMANCE STANDARDS FOR SUN LAMP PRODUCTS UNDER 21 CFR PART 1040.20

Installation



Unpacking and Inspection

Your sunbed comes in two cardboard cartons, one for the bench and one for the canopy or top deck. Open the cartons and remove the bench and canopy as follows.

The bench and canopy are each wrapped in plastic. Pull away the plastic and, with a helper, grasp the bench and pull it from the carton bottom, leaving the plastic wrap and the carton packaging. Do the same for the canopy. Do not try to lift either unit with the plastic still on as they may slip.

Note! The cartons are reusable, in the unlikely event that you may find it necessary to return your sunbed.

The canopy box contains the canopy unit and a pair of gas springs. The bench box contains the following items:

- Bench Unit
- Front and side skirts with mounting screws
- Box containing necessary assembly hardware, remote bypass, safety goggles, and pillow
- Box containing two stand legs
- Assembly and User Guide

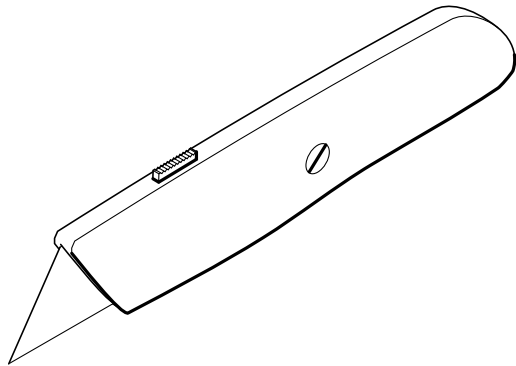
Inspect these items, including the canopy and bench, and make sure they are free from any visible damage. Report the extent of any damage to the transportation company.

Record the serial numbers of the canopy and bench in the area provided on the back of this manual. This information will be required whenever you call customer service.

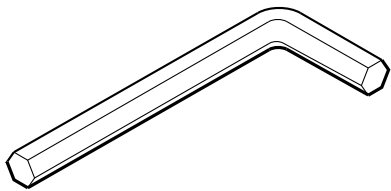


Tools Required

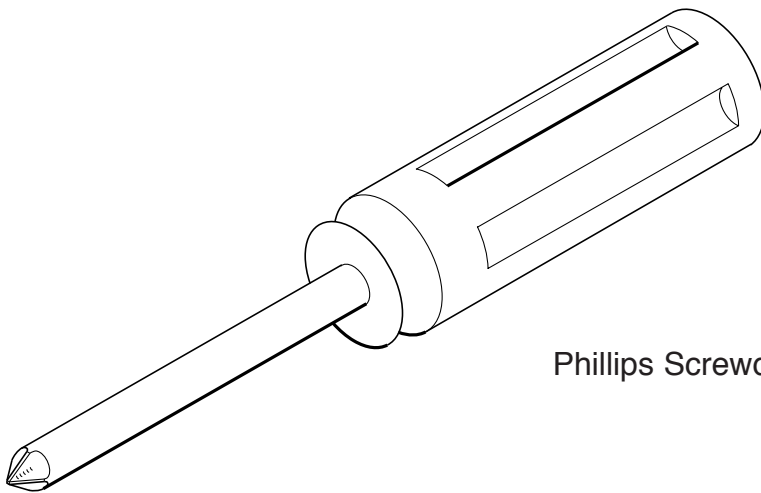
You'll need the following tools to assemble your sunbed:



Utility Knife



Allen Wrench
(Supplied in hardware box)



Phillips Screwdriver



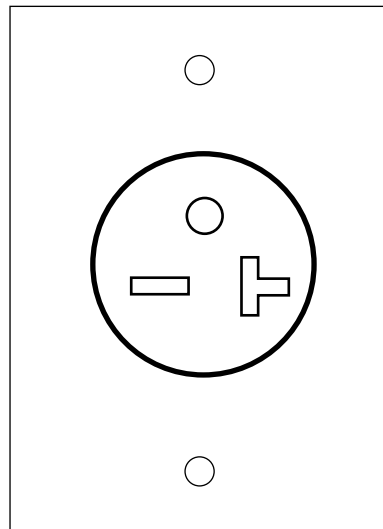
Pre-Installation Planning

Before you begin to assemble your sunbed, you should observe the following pre-installation considerations.

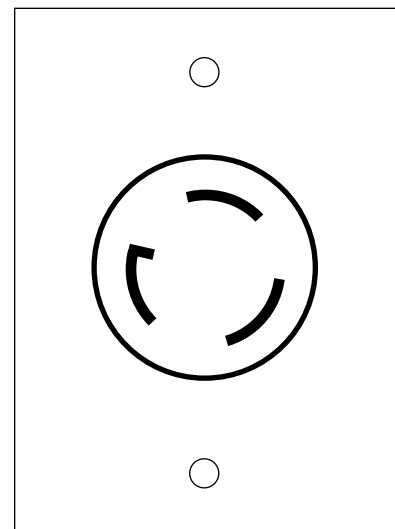
- Your sunbed operates from a 220V AC source. You should have an electrical outlet (like the type shown below) installed in the room in which you will use the unit. The outlet should be on a dedicated circuit. (We recommend installation by a professional electrician.) The outlet must be earth grounded.
- Make sure the room in which you intend to use your sunbed is well ventilated. Air from the room is used to cool the sunbed, and a poorly ventilated room may cause the unit to become hot and cause discomfort to the user.

IMPORTANT!

Use of a voltage source above 230V AC may prevent proper operation of the sunbed and could cause damage and void the warranty.



20 AMP NEMA #6-20R RECEPTACLE
REQUIRED FOR 24S SERIES



30 AMP NEMA #L6-30R RECEPTACLE
REQUIRED FOR 28LX SERIES

- Your sunbed is designed to operate in an ambient room temperature of 80°F maximum and 70% relative humidity.
- Proper assembly of your sunbed requires three people. Plan to have a couple of helpers assist you.
- Place your sunbed no closer than 6" from any wall. Make sure that curtains, drapes, and other room furniture do not obstruct the airflow into the end caps or out of the fan opening areas.

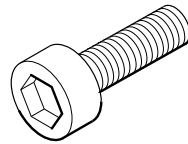


Assembly Procedures

Hardware Inventory

Before you begin, use the utility knife to cut open the Hardware Box and remove the small bag of hardware. In addition to a small Allen wrench and pillow, make sure you have the following hardware items.

NOTE: The larger 5/16" metal washers and six 5/16" Allen-head bolts may be pre-installed in bottom of bench.



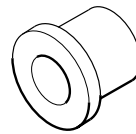
Allen-Head Bolt
5/16" x 1"
Quantity 8



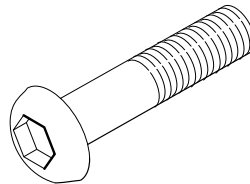
5/16" Metal Washer
Quantity 6



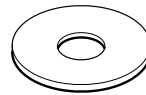
5/16" Metal Washer
Quantity 2



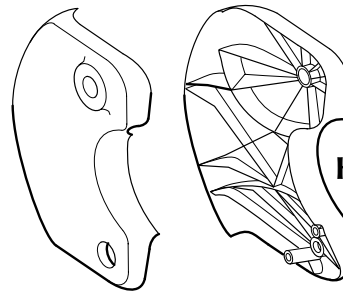
Bushing
Quantity 2



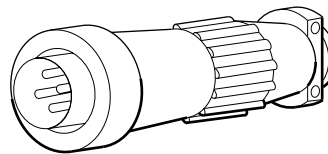
Allen-Head Bolt
5/16" x 1 1/2"
Quantity 2



Nylon Washer
Quantity 2



Hinge Brackets
Quantity 2
(left and right)



Remote Bypass
Quantity 1



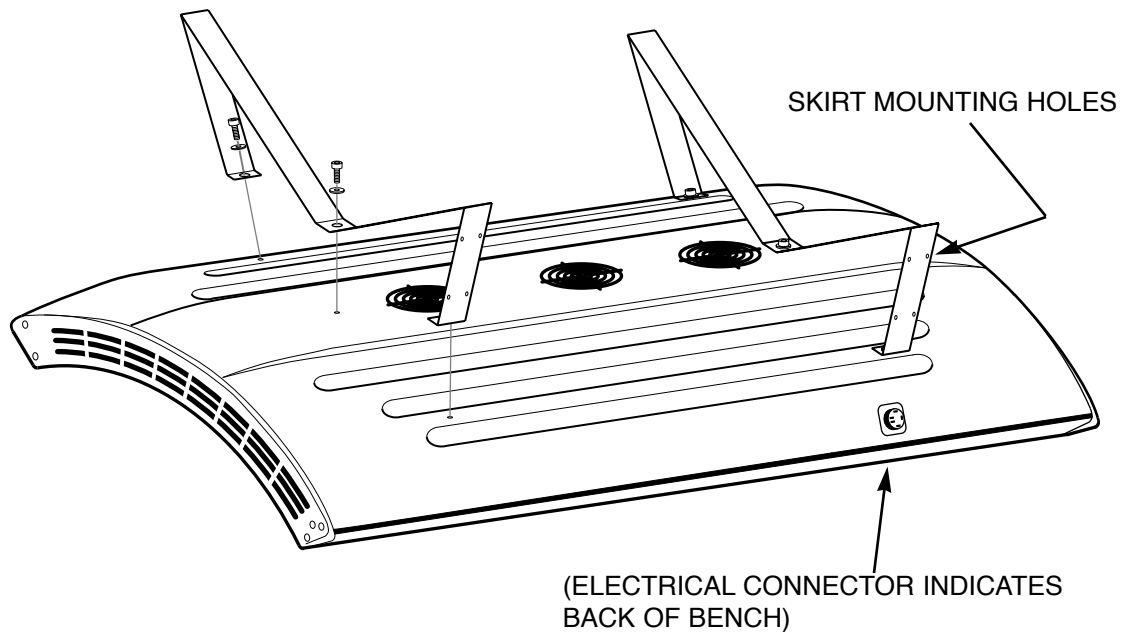
Safety Goggles
Quantity 1



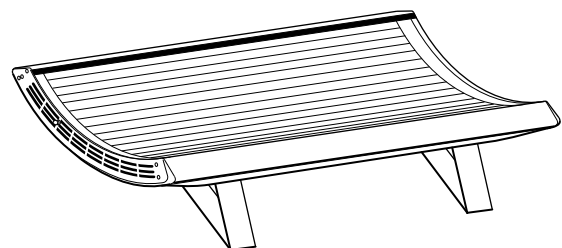
Attaching Legs to Bench

Lay the bench upside down on the floor. Locate the two stand legs and attach to the bench as shown below.

1. Using six 5/16" x 1" bolts and the six larger sized 5/16" washers (may already be in bench bottom), attach the stand legs with the skirt mounting holes toward the back of the bed as shown. Install center bolt first. You may have to gently push the sides of the legs in to align holes. Tighten with the Allen wrench.



2. Turn bench right side up on floor. Place so that power cord connector is facing toward wall outlet.



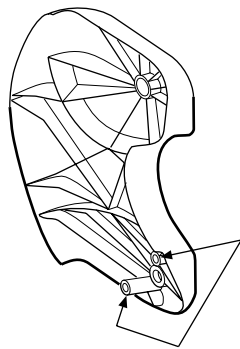
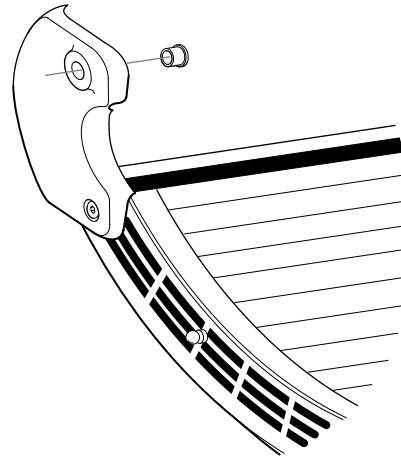


Attaching Hinge Brackets to Bench

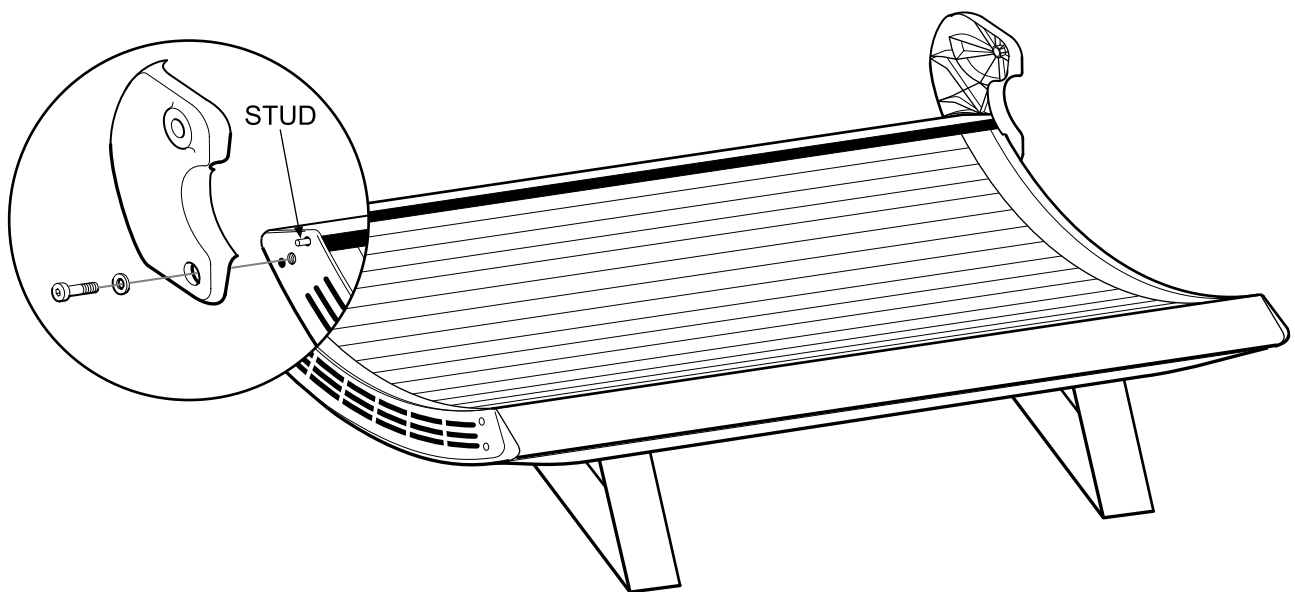
Locate the two hinge brackets and identify the left and right brackets.

1. Install the hinge brackets to the ends of the bench such that the short boss engages the stud above the bolt hole, and the long boss engages the hole below the bolt hole. Then secure using the 5/16" x 1" Allen-head bolt and 5/16" metal washer. Tighten bolt snug, then an additional half turn.

2. Place the bushings into the hinge brackets as shown below.



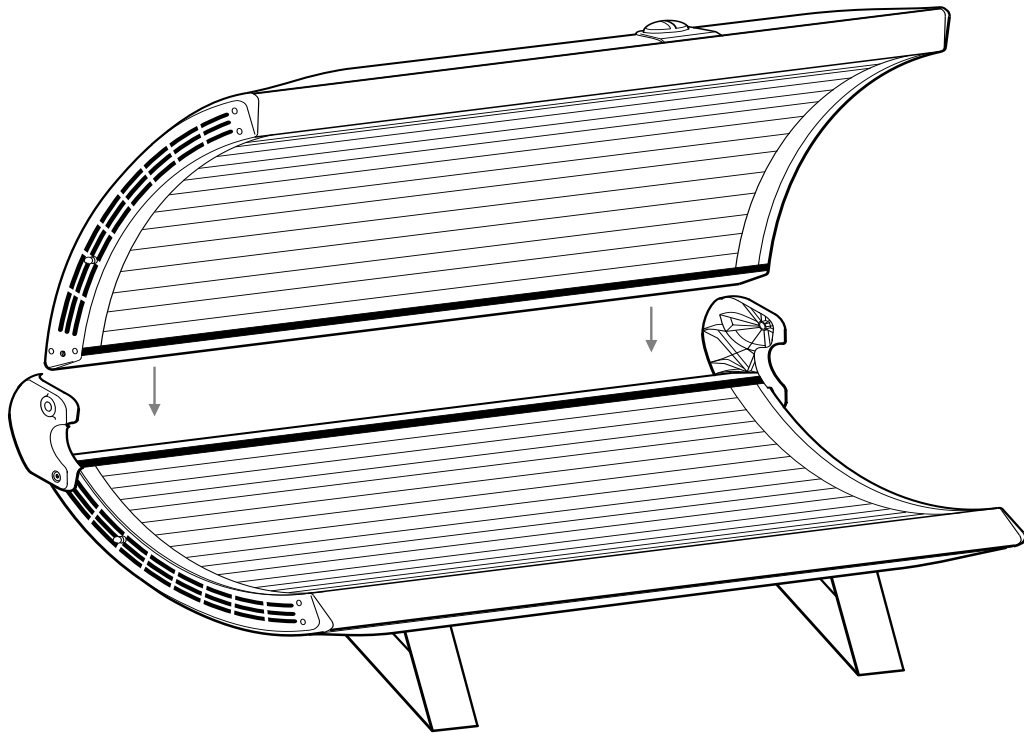
BOSSSES



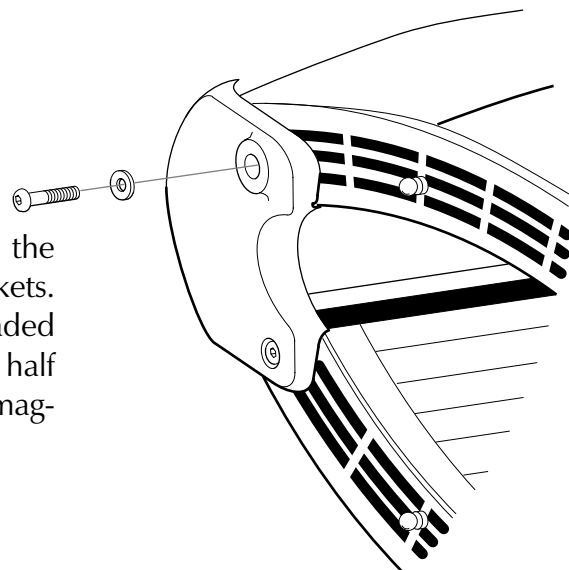


Attaching Canopy to Bench

1. Lift the canopy and hold it between the hinge brackets. You may want to use some of the cardboard packing, laid across the bench, to support the canopy until assembled.



2. Insert the 5/16" x 1 1/2" bolts with the nylon washers into both hinge brackets. Tighten bolts into the endcap threaded inserts until snug, then an additional half turn. Do not overtighten to avoid damaging threaded inserts.



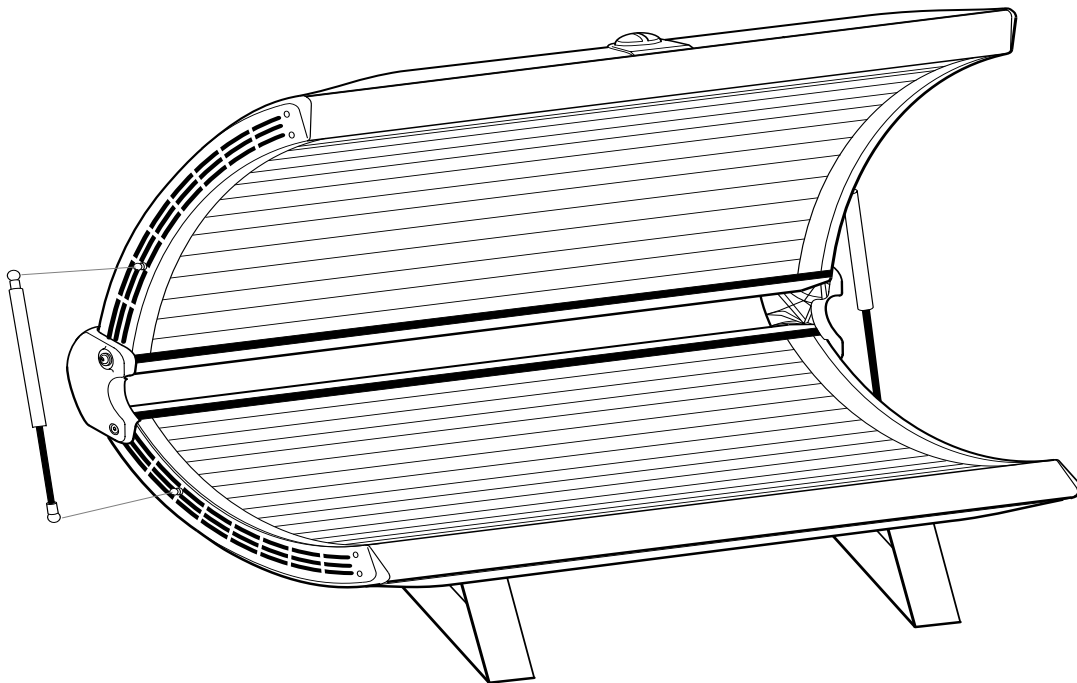
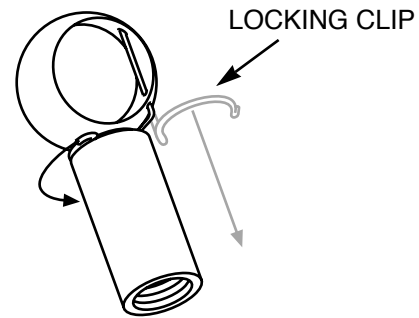


Attaching Gas Springs

1. The gas springs are shipped with locking clips installed. These clips must be removed before gas springs can be installed on the bed.

2. With a helper holding the canopy open, align open ends of gas spring ball joints with pivot studs and push into place. Be sure spring cylinder is in up position as shown. Reinstall locking clips. Repeat on other side. DO NOT lower canopy until both gas springs are installed! Failure to install locking clips may result in the gas springs working loose, allowing the canopy to fall, which may cause serious injury!

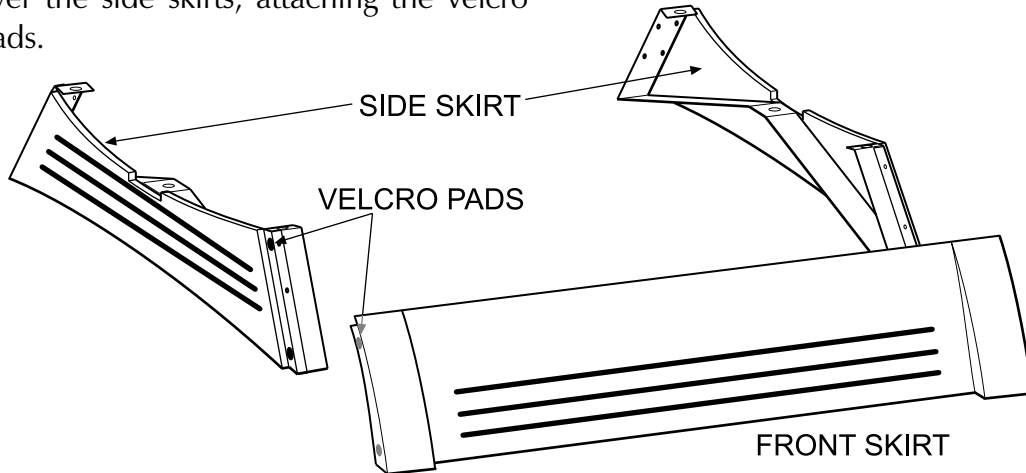
3. Lift and lower canopy a few times to lubricate gas springs for optimum performance.





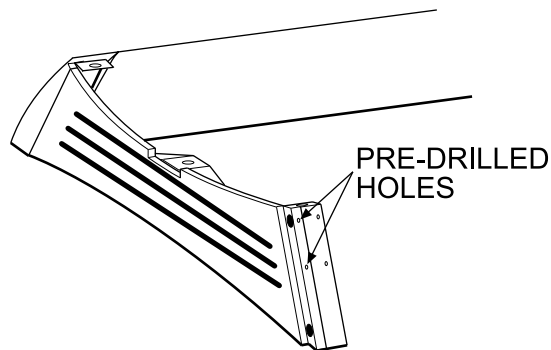
Assembling Pedestal

1. Position the side skirts at either end of the base, with the velcro pads toward the front of the sunbed. Snap the front skirt over the side skirts, attaching the velcro pads.



(BENCH REMOVED FOR CLARITY)

2. Install two #8 x 1/2" screws through the pre-drilled holes of the side skirt into the back of the leg support. Repeat for the other skirt.



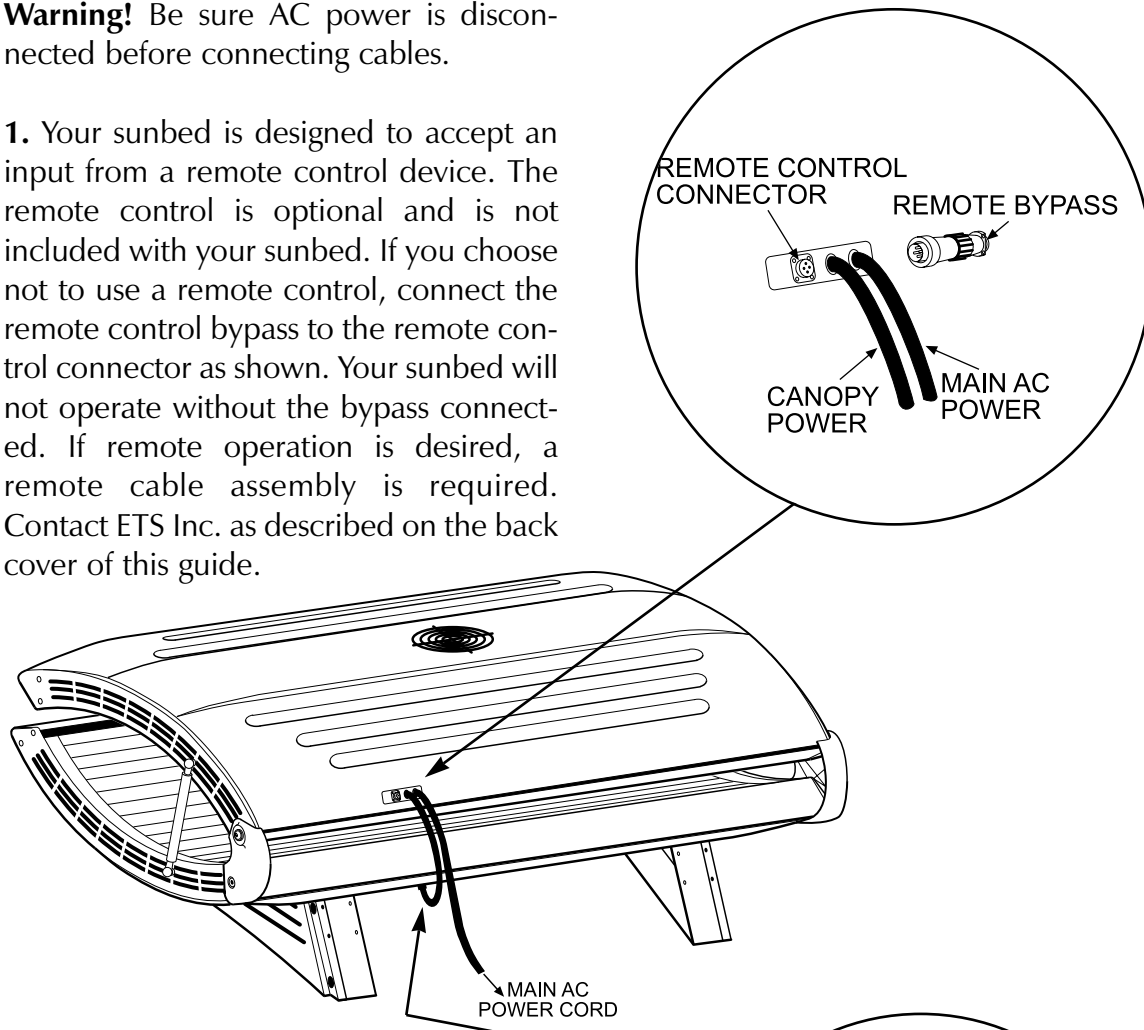
(BENCH REMOVED FOR CLARITY)



Making Electrical Connections

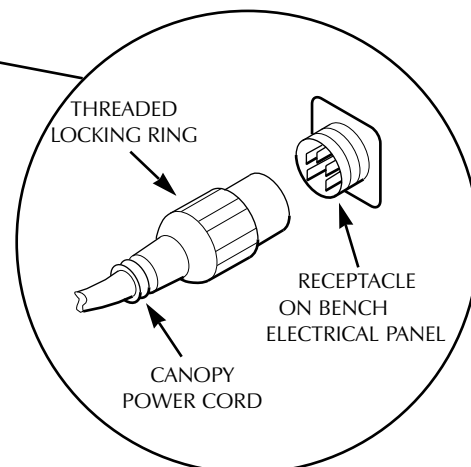
Warning! Be sure AC power is disconnected before connecting cables.

1. Your sunbed is designed to accept an input from a remote control device. The remote control is optional and is not included with your sunbed. If you choose not to use a remote control, connect the remote control bypass to the remote control connector as shown. Your sunbed will not operate without the bypass connected. If remote operation is desired, a remote cable assembly is required. Contact ETS Inc. as described on the back cover of this guide.



2. Connect the canopy power cord to the bench receptacle. The plug is polarized. Align the terminals and firmly push on until seated then tighten the threaded locking ring, as shown.

3. Plug the three-prong 220V AC power cord into a dedicated outlet (see page 3).



Operation



Before You Tan

Before using your sunbed, please note the following important precautions:

- Your skin should be free of cosmetics, tanning oils, or other body lotions prior to tanning except for those specifically made for use with tanning devices. However, do not remove natural body oils by bathing or showering immediately before tanning.
- Your hair should be free of gels, mousses, sprays, or other hair products prior to tanning. These products can cause damage to the sunbed acrylic. As an alternative, a shower cap or towel can be worn to keep treated hair away from the sunbed surfaces.

- Some medication may **increase your sensitivity** to ultraviolet light. It is recommended that you consult a physician before using this sunbed if taking any medication or if you suspect that your skin might be especially sensitive to sunlight. Included with this manual is an FDA booklet on medications that increase sensitivity to light.
- As with all electrical appliances, **do not operate this device near water or while you are wet.**

Exposure Times

We recommend that you tan every other day, following the tanning times in the exposure schedule. Tanning normally appears after the first few sessions and maximizes after approximately four weeks. Tan once or twice per week thereafter to maintain appearance. Persons already having a base tan may begin at advanced levels corresponding to the extent of their base tan.

Follow the guidelines for skin type and exposure times as shown in the table below.

RECOMMENDED EXPOSURE TIMES IN MINUTES		MAXIMUM EXPOSURE TIME IS 20 MINUTES				
Skin Type:	Week # Session #	Week 1 1st-3rd	Week 2 4th-6th	Week 3 7th-10th	Week 4 11th-13th	Subsequent Maximum
I Sensitive Skin (Burns easily and severely and does not tan.)		NOT RECOMMENDED FOR TANNING				
II Light (Burns easily and severely and tans minimally.)		4	8	12	16	20
III Normal (Burns moderately and tans average.)		6	10	15	20	20
IV Dark (Burns minimally, tans easily and above average.)		8	12	16	20	20



Using Your Sunbed

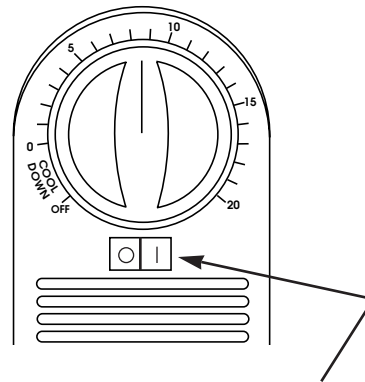
Once you have read *Before You Tan* and *Exposure Times*, you are ready to use your sunbed. Proceed as follows.

WARNING! Your sunbed is designed for individual use. Only one pair of protective goggles is provided. **Always** wear these or another approved pair of goggles. Regular sunglasses **do not** provide adequate protection from ultraviolet light. You should never look at the lamps when turned on without wearing the appropriate protective goggles.

Step 1. For units equipped with a face tanner, activate the face tanner by placing the rocker switch located next to the timer knob into the "I" (ON) position. If you do not wish to use the face tanner, leave the switch in the "O" (OFF) position.

Note! The F model face tanner lamps need a longer after-use cooling period before they will light up again.

Step 2. Set the timer to the desired number of minutes (after first determining the proper time period from the table on page 11). The lamps will turn on as soon as you move the rotary dial from the "0" position.



FACE TANNER ROCKER SWITCH

Step 3. Lift the canopy, lie down on the bench (face up), and lower the canopy toward your body. For best results, position the canopy as close as possible to your body, but **do not bring canopies with face tanners any closer than 1 inch from your face.**

Step 4. When the timer reaches 0, the lamps will automatically turn off. The cooling fans run for 3 minutes after the lamps shut off to aid in cooling the sunbed.

Note! Customers using a remote system with this product will find that if the remote timer is set for less time than the bed timer the cool down time will be the tanning time remaining on the bed timer plus the normal cool down. **Example:** The remote timer is set at 15 minutes and the bed timer is set at 18 minutes. The lamps will shut off at 15 minutes. The fans will run for the remaining 3 minutes and then continue to run during the cool down cycle.

Care & Maintenance

Cleaning After Use

Clean and disinfect your tanning bed's bench and canopy after each use. Use a non-abrasive disinfectant cleaner that **does not contain ammonia or ammonia derivatives**. Ammonia may damage the acrylic shield. Spray the acrylic lightly with disinfectant and wipe dry with a clean soft cloth. We recommend *SunQuest*[®] disinfectant and *SunQuest*[®] acrylic cleaner.

Thorough Periodic Cleaning

Introduction

The cooling fans draw air through the bed and over time will cause a dust buildup on the lamps and reflectors. This will reduce the tanning effectiveness of the bed. When a dust buildup is observed, it is necessary to thoroughly clean the inside of the bench and canopy. **Warning!** Disconnect sunbed from electrical power before cleaning.

Cleaning the Canopy and Bench

- Step 1.** Remove the acrylic shields and lamps as described in *Replacing Lamps*.
- Step 2.** With a soft cloth, wipe the entire length of each lamp to remove any film buildup.
- Step 3.** Clean both sides of the acrylic shields with a non-ammonia disinfectant cleaner.
- Step 4.** Wipe the reflectors with a clean damp cloth.
- Step 5.** Re-install the lamps and acrylic shields.

Mechanical Inspection

Your tanning bed has been built for years of service. The bench is equipped with an hour meter which keeps track of usage time. To ensure trouble-free operation throughout its life, inspect the unit's mechanical integrity every 400-500 hours of use.

- Inspect the unit's fasteners verifying that all are firmly in place. Pay particular attention to the hinge bolts.
- Inspect gas springs for signs of wear. Gas springs that will not hold the canopy in the full open position when raised should be immediately replaced.
- Inspect the timer as indicated in this manual under *Timer Maintenance*.
- Inspect the AC power cord and its connections.
- Inspect the acrylic. Broken, cracked or badly scratched acrylics should be immediately replaced.



Replacing Lamps

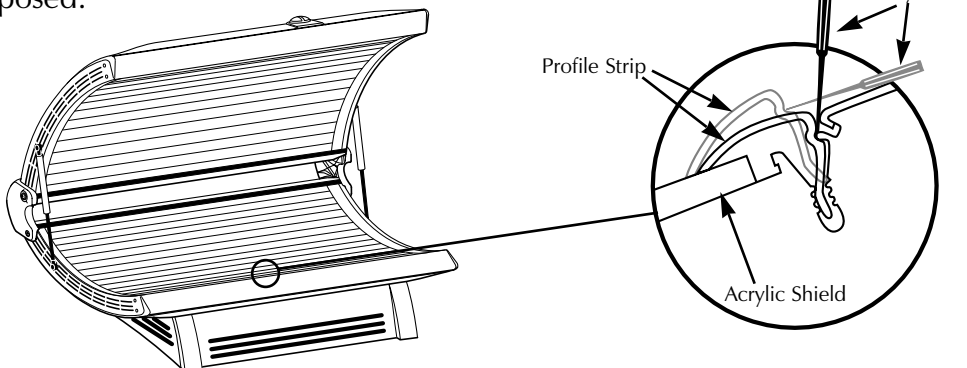
Introduction

To be assured of maximum tanning effectiveness, change lamps after approximately 800-1000 hours of use. Tanning will continue after this time but at a slower rate. To ensure trouble-free operation of your sunbed, replace the lamp starters whenever the lamps are replaced.

Warning! Disconnect sunbed from electrical power before servicing.

Removing/Replacing Acrylic Shields

The acrylic shields in the canopy and bench are both secured in place by colored profile strips which run the length of the canopy and bench, both front and back. To remove the strips, gently pry up on the outside edge of the strip near the middle of the bed with a flat, blunt object (such as a putty knife) until the retainer releases its latching action (See figure below). Continue prying up the strip throughout its full length until removed. Repeat for the other strips. The long edges of the acrylic shield are now exposed.



Canopy Shield

Standing in front of the sunbed, grasp the long exposed edge of the acrylic and carefully begin sliding it toward you, until it is removed from the sunbed. You may need to pull the shield edge down slightly to clear the edge of the bed.

Bench Shield

Slide the acrylic shield toward the head or foot end of the bed. The short edge of the acrylic shield at the opposite end should now be visible. Remove the shield by lifting from this end.

After changing lamps, replace the acrylic shield by reversing the above steps. **On bench shields, take special care to ensure that the acrylic is centered from head to foot before installing the retaining strips.** Replace each retainer by first installing its ends into place under the endcaps, then working toward the center, pushing it into place.



Removing/Replacing Lamps

After removing the acrylic shield, replace lamps as follows:

- Step 1.** Grasp the lamp at one end and at the middle, then turn the lamp a quarter turn. The lamp may then be gently removed from its holder.
- Step 2.** To re-install a lamp, insert the pins located on the ends of the lamp into the slots on top of the lamp holder and turn the lamp a quarter turn.

Recommended Replacement Lamps

Do not use lamps other than those specified below. Using uncertified lamps is a violation of Federal regulations and will void your warranty. These lamps have an average life of 800-1000 hours of effective tanning use. Lamps used longer than that begin to lose their effectiveness even though they will continue to light.

Only the following lamp types have been certified for use in **SUNVISION** Solariums

	Application	Lamp Model Number
Pro 28LXF Pro 28LX2F	Canopy and Bench	Diamond Sun® S Wolff® Model 71T12100W
	Facial Unit	Philips Model HPA 400/30s CosmoTech Model 23045 CosmoTech Model 20046

	Application	Lamp Model Number
Pro 24SF	Canopy and Bench	Diamond Sun® S Wolff® Model 59T12080W Diamond Sun® S Wolff® Model 71T12100W
	Facial Unit	Philips Model HPA 400/30s CosmoTech Model 23045 CosmoTech Model 20046

	Application	Lamp Model Number
Pro 24ST Pro 28LXT	Canopy and Bench	Diamond Sun® S Wolff® Model 71T12100W
	Turbo Face Tanner	Turbo Sun™ S Wolff® Model F8-T5-10W

	Application	Lamp Model Number
Pro 24S Pro 28LX	Canopy and Bench	Diamond Sun® S Wolff® Model 71T12100W



Removing/Replacing Face Tanner Lamp on F Models

After removing the canopy acrylic shield, replace the face tanner lamp as follows:

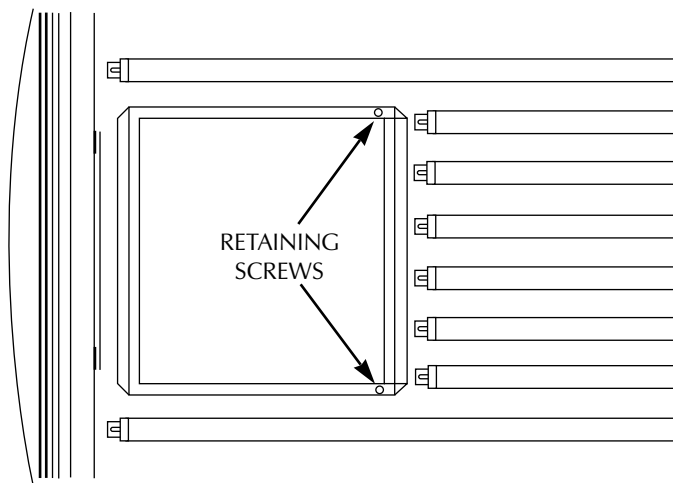
Step 1. Support the face tanner assembly with your hand while unscrewing the two retaining screws. The face tanner glass casing will now swing downward.

Step 2. The lamp can now be exchanged. The lamp holders are equipped with spring contacts which enables the lamp to be removed easily. Remove the old lamp and discard. Install the new lamp, using a clean cloth or paper towel. Ensure that the lamp is firmly seated in the lamp holders.

Note! Never take hold of the lamp such that your fingers are in contact with the lamp glass. Finger oils will greatly reduce the lamp's operational life.

Step 3. Gently close the face tanner glass casing and lock it closed with the screws. Ensure that the screws firmly secure the glass casing.

Warning! Never turn the equipment on while the face tanner is disassembled or when the glass filters have been removed. The direct light can cause severe injury to the eyes and to other areas of the body. Immediately discontinue use of this equipment if the face tanner glass is broken or if any unfiltered light can be seen escaping the face tanner assembly.





Timer Maintenance

Your *SUNVISION*[®] sunbed is equipped with a backup shut-off timer which will automatically turn off the sunbed in the unlikely event of a malfunction of the primary timer. This important safety feature also prevents the user from re-setting the timer before the end of the pre-set maximum time interval. The electronic timer limiting circuit is automatically reset each time the primary timer is turned to the OFF position.

Annually, or whenever your sunbed is re-lamped, check the operation and accuracy of the timer system as follows. DO NOT perform these tests with a person in the sunbed.

Step 1. Obtain an accurate watch capable of measuring in seconds. Set the timer to its maximum interval. Using the watch, time how long the lamps remain on. The lamps should shut off within plus or minus 10% of the maximum timer interval.

Step 2. Set the timer to the maximum time interval. Wait ten minutes, then turn the knob back to the maximum time position. The electronic time limiting circuit should turn the lamps off at an elapsed time equal to approximately 10% beyond the maximum timer interval, even though the primary timer continues to show time left.

Call ETS Customer Service if your timer does not operate properly, or if you experience difficulty with these tests.

Troubleshooting



Problem	Solution
Lamps fail to light	<ol style="list-style-type: none">1. Check source of AC power. Reset circuit breaker or replace fuse if necessary.2. Make sure the unit is plugged into outlet.3. Make sure cord between canopy and bench is properly connected.4. Make sure timer dial is turned to a number past 0.5. Make sure remote bypass is installed, or remote system is working.6. Check remote system fuses. Fuses are located inside canopy directly above the remote plug on top of the canopy center ridge. Replace with same type and rating if blown.
One or more lamps fail to light	<ol style="list-style-type: none">1. Check that lamp is installed correctly.2. Switch unlit lamp with a lamp that lights. If the new lamp lights and the old lamp still does not, replace old lamp.3. If replacing lamp does not remedy problem, contact your service representative.
Canopy fails to stay in the up or down position	<p>The gas springs should hold the canopy fully open as well as allow it to rest fully closed. If the canopy is left open for an extended period of time it may creep down. This is considered normal. Keep the canopy closed when not in use. Replace gas springs when they no longer have sufficient power to hold the canopy open when raised.</p>
Sunbed does not stay lit	<ol style="list-style-type: none">1. Check source of AC power. Reset circuit breaker or replace fuse if necessary.2. Check timer system per maintenance instructions in this guide. Contact your local service representative.

**CALL FOR SERVICE OR
QUESTIONS:**

1•800•228•6292



**6270 Corporate Drive
Indianapolis, IN 46278-2900**

Have the following information ready
when calling ETS to order parts or service
for your bed:

Date Purchased_____

Canopy Serial Number_____

Bench Serial Number_____