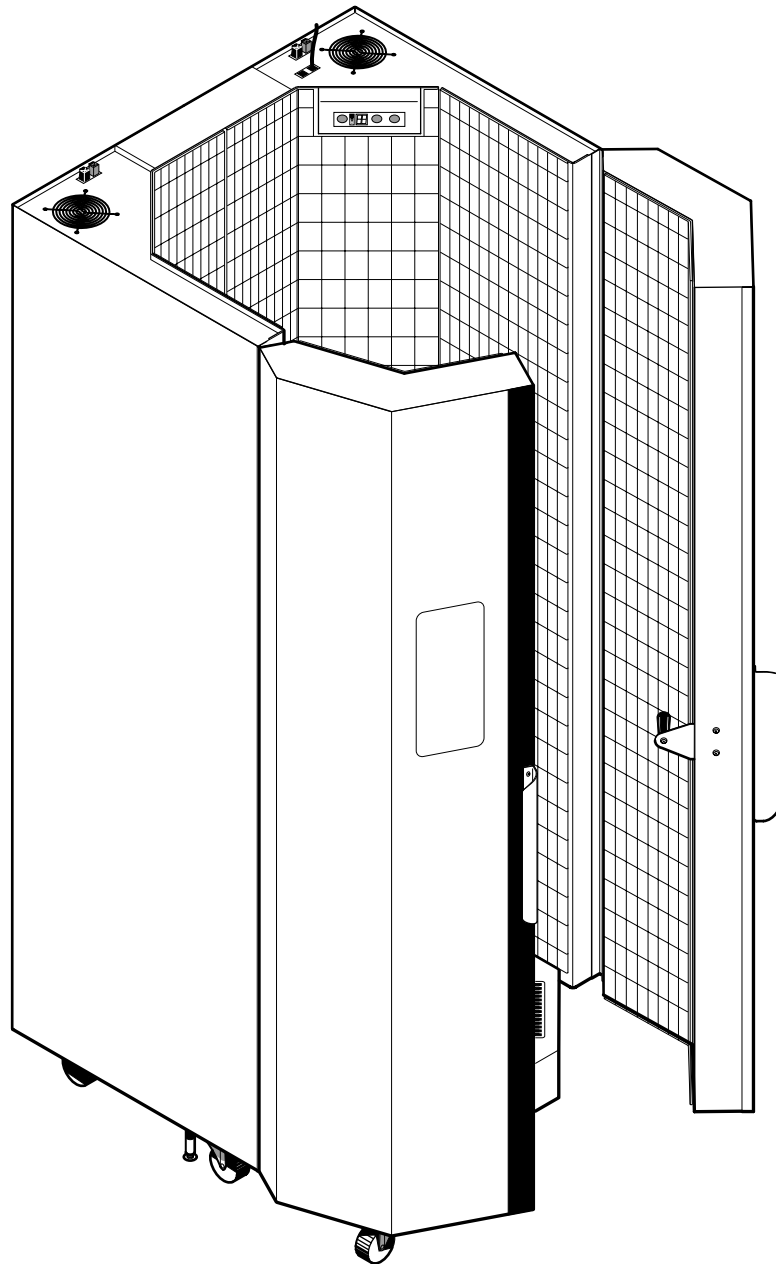


SUNVISION[®]

ASSEMBLY AND USER GUIDE



M O D E L S S U P E R V 6 0 0 0 V H O
S U P E R V 6 0 0 0 V S - R[™]

Limited Lifetime Warranty

SUNVISION® warrants your tanning unit to be free of structural defects in its material and workmanship, under normal use, for its lifetime. **SUNVISION** will repair or replace, at their discretion, any defect to the structure which affects the performance of the unit.

For 6 months from the date of purchase, **SUNVISION** will provide replacements for parts that prove to be defective in material or workmanship. Acrylic shields, fluorescent lamps, and lamp starters are excluded from this warranty. Labor will be covered for 30 days from purchase date. Normal wear, damage from misuse or abuse, damage incurred in transit, or damage done by unauthorized repairs or modifications are not covered by this warranty.

ETS, Inc. disclaims any implied warranty of merchantability or fitness for any period beyond the expressed warranty. Some states do not allow limitations on how long an implied warranty lasts, so the above limitations may not apply to you.

No one has authority to change or modify this Limited Lifetime Warranty in any respect. To obtain service under the Limited Lifetime Warranty, contact **ETS, Inc.** at 1-800-228-6292, and ask for the Technical Service Department.

ETS, Inc. SHALL NOT BE LIABLE FOR LOSS OF USE, LOSS OF TIME, INCONVENIENCE, RENTAL OR SUBSTITUTE PRODUCTS, LOSS OF BUSINESS, LOSS OF INCOME, OR ANY OTHER INCIDENTAL OR CONSEQUENTIAL DAMAGES. Some states do not allow the exclusion or limitation of incidental or consequential damages, so the above limitation or exclusion may not apply to you.

This warranty gives you specific legal rights, and you may also have other rights which may vary from state to state.

All warranty service must be performed by an authorized service person. If your tanning unit must be returned for service, all freight charges must be at your expense. Contact your place of purchase for the address of the **SUNVISION** Service Center nearest you. Proof of purchase is required to obtain warranty service.

This warranty covers the original purchaser only. This warranty is void if the unit is modified in any manner from its original design.

Welcome



Congratulations on your purchase of this technologically advanced sun tanning unit. It has been designed to provide years of dependable service for you.

Please read all the instructions in this booklet before installing and using the unit. Always be sure to observe all safety precautions.

Contents



Safety Informationiii
Installation	1
Unpacking and Inspection	1
Tools Required	1
Pre-Installation Planning	2
Assembly Procedures	3
Bypass Plug	5
Remote Connections	6
Operation	8
Before You Tan	8
Exposure Times	8
Using Your Booth	9
Care and Maintenance	11
Cleaning After Use	11
Thorough Periodic Cleaning	11
Mechanical Inspection	11
Replacing Lamps	12
Troubleshooting	13
Obtaining Serviceback cover

Safety Information



LABELING NOTICE: Labels are affixed on all systems to inform the user of possible dangers. Regulations are stated in 21 CFR, Section 1040.20, and require that all products manufactured after September 8, 1986 which use sunlamps must display the following:

AD Ultraviolet radiation. Follow instructions. Avoid overexposure. As with natural sunlight, overexposure can cause eye and skin injury and allergic reactions. Repeated exposure may cause premature aging of the skin and skin cancer. **WEAR PROTECTIVE EYEWEAR; FAILURE TO MAY RESULT IN SEVERE BURNS OR LONGTERM INJURY TO THE EYES.**

Medications or cosmetics may increase your sensitivity to the ultraviolet radiation. Consult physician before using sunlamp if you are using medications or have a history of skin problems or believe yourself especially sensitive to sunlight. If you do not tan in the sun, you are unlikely to tan from the use of this product.

Do not use without wire grid in place. Tanning normally appears after the first few sessions and maximizes after approximately four weeks. Tan once or twice per week thereafter to maintain appearance. Frequency of sessions should be limited to every other day. Persons already having a base tan may begin at advanced levels corresponding to the extent of their base tan.

R E C O M M E N D E D E X P O S U R E T I M E S I N M I N U T E S						
M	A	X	I	M	U	M
E X P O S U R E T I M E I S I N						
M I N U T E S						
Skin Type:	Week #	Week 1	Week 2	Week 3	Week 4	Subsequent

New lamps emit approximately 20% more ultraviolet radiation during the first 50 hours of operation. Recommended tanning times should therefore be reduced by approximately 20% during that period.

For a uniform tan, center yourself within the booth both front and back and to the left and right. This will result in your body being equidistant from all lamps. Other positions may result in over exposure to parts of your body.

Use only the lamp listed below or certified equivalents as failure to will result in non-compliance with federal regulations.

ACCELERATOR® VS-R™ Wolff® Model VAC75-T12-160W VS-R Bi-Pin
ACCELERATOR® VHO Wolff® Model ACC75-T12-160W VHO PREHEAT BI-PIN

Provided eyeshields (Lucas Products Super Sunnies or Intrexco No. 5635/1) or equivalent eyewear as defined under 21 CFR 1040.20. Other types of eyewear may not provide adequate protection. Disconnect power before attempting to clean, relamp, or engage in the maintenance of this product.

THIS EQUIPMENT MUST BE EARTH GROUNDED. THIS PRODUCT IS IN CONFORMITY WITH PERFORMANCE STANDARDS FOR SUN LAMP PRODUCTS UNDER 21 CFR PART 1040.20

Installation



Unpacking and Inspection

When removing the unit from its carton, always have two people available to help. We suggest having a moving dolly available to facilitate moving the unit into place.

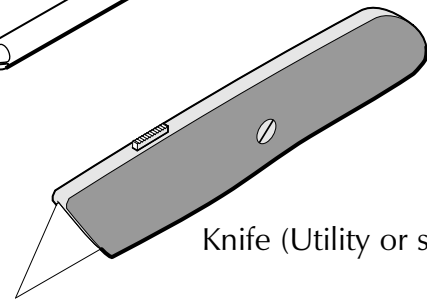
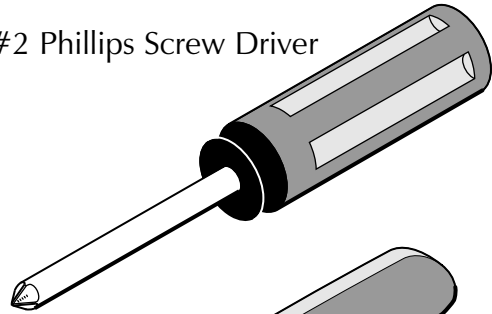
After unpacking the unit, inspect it for any visible damage. Report the extent of any damage to the transportation company. Also, within the same package you found this manual you should have also received a pair of goggles, the outside door handles (to be installed later), a hardware packet and a complimentary start-up kit.

Record the serial number of the booth in the area provided on the back of this manual. This information will be required whenever you call customer service.

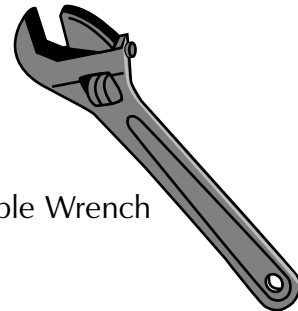
Tools Required

You will need the following tools to assemble your booth:

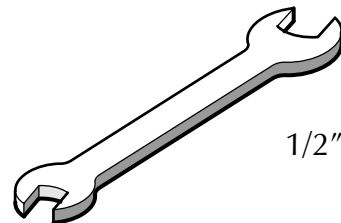
#2 Phillips Screw Driver



Knife (Utility or similar)



Adjustable Wrench



1/2" Wrench



Pre-Installation Planning

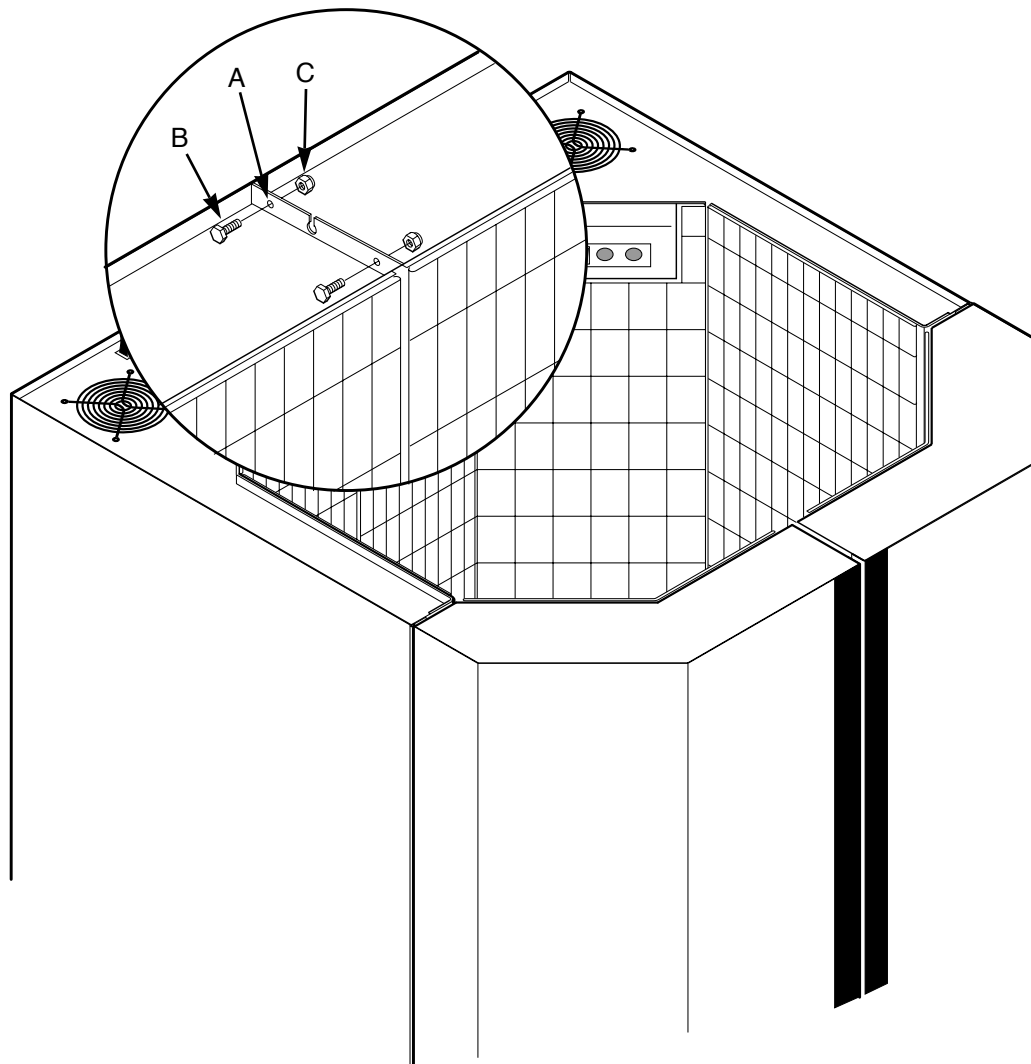
Before you begin to assemble your booth, you should observe the following pre-installation considerations.

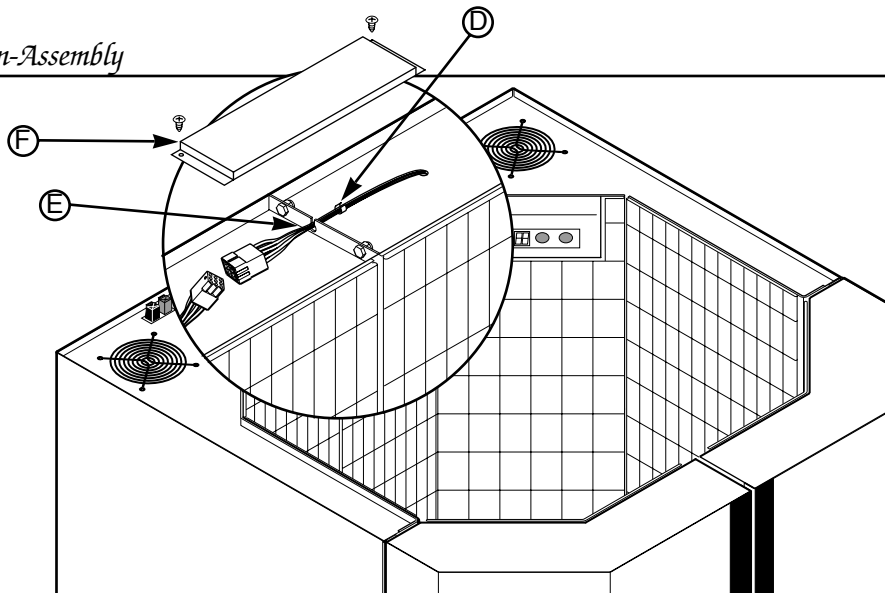
- Your booth operates from a 220V AC source. The unit must be hardwired to a dedicated circuit capable of providing **60 amp** service. Electrical connection of this unit requires a professional electrician.
- **IMPORTANT!** Use of a voltage source above 230V AC may prevent proper operation of the booth and could cause damage and void the warranty.
- Make sure the room in which you intend to use your booth is well ventilated. Air from the room is used to cool the booth, and a poorly ventilated room may cause the unit to become hot and cause discomfort to the user.
- Your sunbed is designed to operate in an ambient room temperature of 80°F maximum and 70% relative humidity.
- The SUNVISION® Super V6000 must be installed in a room with a minimum ceiling height of eight (8) feet. Place your booth no closer than 6" from any wall.
- Proper assembly of your booth requires three people. Plan to have a couple of helpers assist you.



Assembly

1. Each of the unit's halves should be placed together at the desired installation location. Align the holes (A), located at the top and bottom of the unit. You will need both wrenches for the next step.
2. Secure the two halves of the unit to one another using the four 5/16x3/4" Hex Head bolts (B) and four lock nuts (C). Do not tighten them fully at this time. **NOTE:** You may only be able to install three of the four bolts with the shipping brackets in place.
3. Remove the two shipping brackets, located on the top of the booth, which connect the doors to the rear of the frame.

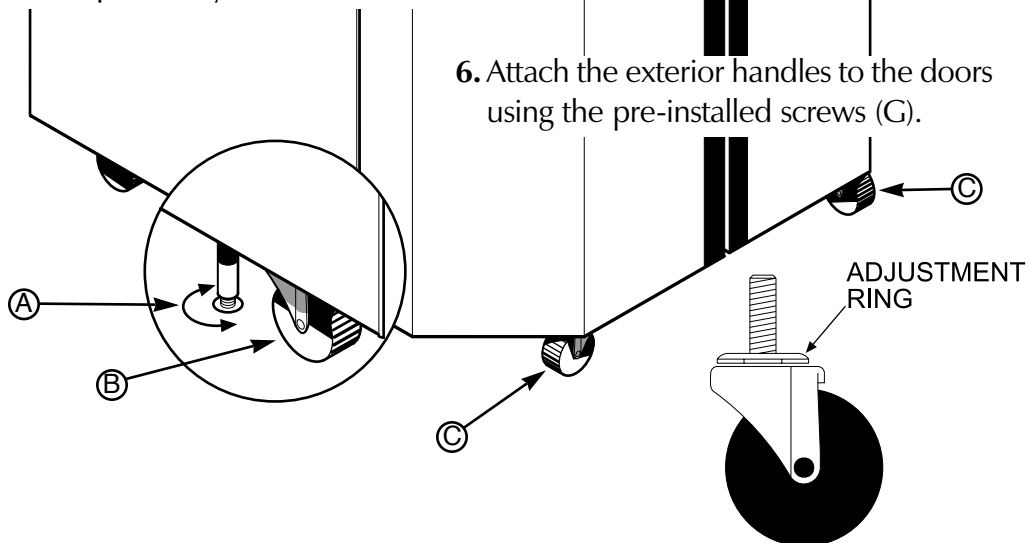




4. Lower all six of the leveling posts (A) until the weight is almost completely removed from the casters (B). Check the doors to see if the tops of the doors are level with each other when closed, it may be necessary to further adjust the levelers. After the unit is level tighten the nuts left loose from Step 1. If necessary adjust the casters under the doors (C). The door casters should bear only the weight of the doors. When properly adjusted the doors will open and close easily. There should be no gap between the doors when closed.

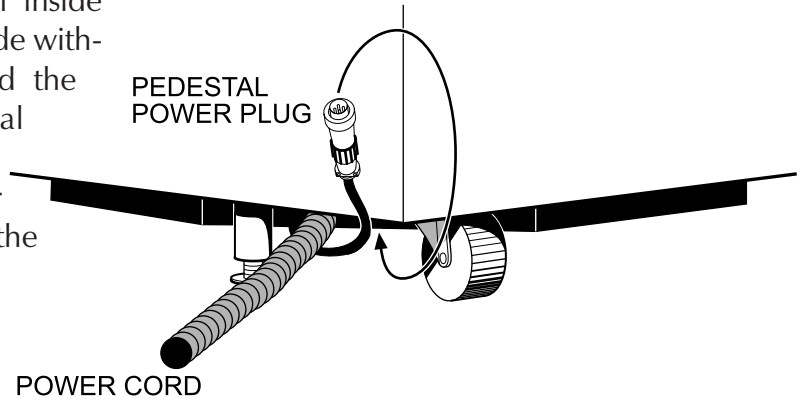
5. Connect the electrical cable at the rear top of the unit. Slide the black split grommet (D) found in the accessory kit around the wire assembly and then press the grommet into slot (E). Now mount the white metal cap (F) cover over the connection with two #8x5/16" Phillips screws. Be careful not to crimp, bind or pinch any of the wires.

6. Attach the exterior handles to the doors using the pre-installed screws (G).





7. Place the black, fan pedestal inside the unit oriented so that the side without the air register is toward the front. Connect the pedestal power plug to the receptacle located underneath the rear corner of the booth, next to the main power cord.



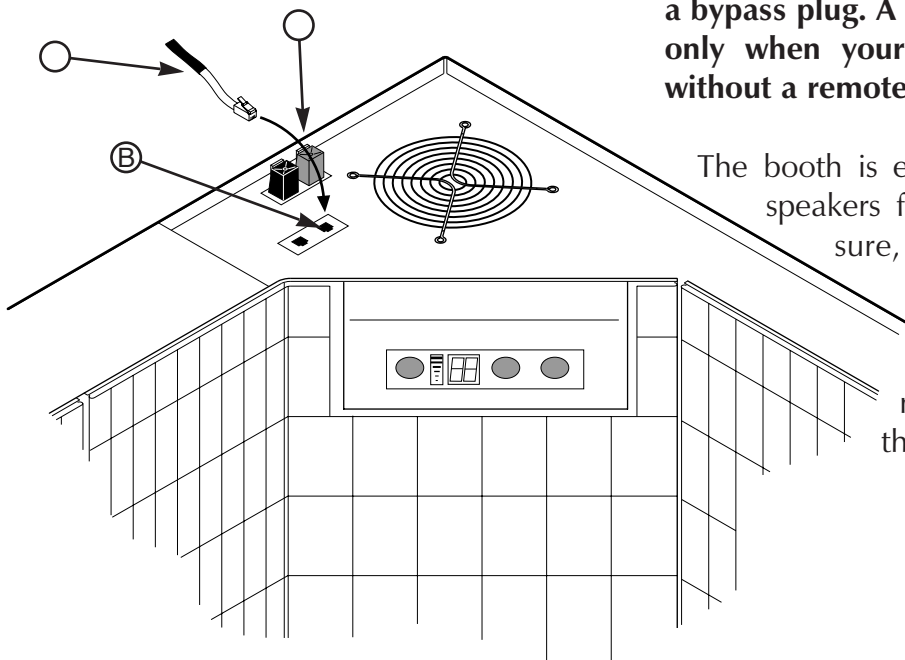
Bypass Plug

Connect the remote control bypass plug (A) to the remote control port (B) on top of your booth. The bypass plug can be inserted into either port. Your booth will not operate without the bypass plug or a remote system connected.

NOTE: Your sunbed is designed to accept an input from a remote control

device. The remote control is optional. If you plan on using a remote system refer to "Remote Connections".

CAUTION: Although the Remote Control Bypass plug provided with your sunbed will work wherever a T-Max® terminator is called for in the series, the T-Max® terminator will not work as a bypass plug. A bypass plug is needed only when your sunbed is operated without a remote system connected.



The booth is equipped with two 8Ω speakers for your listening pleasure, capable of handling 10W. Connect them to an external amplifier using the spring connectors (C) located at the top of the booth.



Remote Connections

Your booth incorporates advanced circuitry allowing it to connect and communicate with most remote control systems. If a remote system is to be used, first determine whether the remote system is a T-Max® System or a standard remote system operating with a control relay. Follow the appropriate instructions for your system type.

Warning: The remote connection is not designed to supply or accept high voltage, nor can it provide power to an external timer. The booth's remote interface circuitry operates on 5 volts, attempting to connect it to any higher voltages will damage the booth as well as void your warranty.

T-Max® Manager Remote System

The T-Max® Manager remote system offers the ultimate in solarium control, while allowing the tanner easy straightforward operation. This system is ideal for multiple unit installations. Your booth is already configured to directly connect to this system. The circuitry inside your booth eliminates the need for the T-Max® 1A when connecting to the T-Max® Manager series. To connect your booth to this system follow the instructions that came with your remote system, noting *figure 2* on the next page. After you have set the address, or "id" of each solarium, simply connect the RJ-22 Modular cable(s), described in the T-Max® Manager manual, directly into the port(s) located on the back of your booth. You can place your booth at any location in the series. Remember the last connection in the series requires a T-Max® terminator plug or SUNVISION™ bypass plug.

T-Max® 1A Remote System

The T-Max® 1A offers the same control as the T-Max® Manager in single booth installations. For this, your 1A must be configured as a "master". If the 1A is not configured as a master it will not work in this application.

After you have set the address, or "id", on the T-Max® 1A and the booth simply connect the RJ-22 modular cables, described in the T-Max® user's guide, directly into either port located on the top of the booth and either port on the back of the T-Max® 1A. If the T-Max® 1A and the booth are more than 100 feet apart, terminators or SUNVISION® Remote Bypass plugs should be installed in the unused ports. See *figure 1*.

Setting the address

Before connecting your booth to the T-Max® Manager or T-Max® 1A, the address or "id" of your booth must first be set. The auto-addressing feature of the latest T-Max® Manager models is not compatible with this booth. Set the "id" manually as described below.

Setting the "id"

1. Verify that the booth display is indicating a "0".
2. Press and hold the stop button located on the booth display for three seconds and release. The display should indicate an "id" number from 1 to 99.
3. If you are using a T-Max® 1A as your remote the "id" of the booth must be set to "1". If you are using a T-Max® Manager each solarium must be assigned a different "id". To set the "id" press the timer button until the desired number is achieved.



4. Press the stop button to return to the normal display mode.
5. If you are using a T-Max® 1A its "id" must be set to "0.0". See your 1A manual for instructions. Also refer to your T-Max® 1A or Manager manuals to set other functions such as delay time and number of solariums in the T-Max® Manager series.

Remote systems using a Control Relay

Most non-T-Max® remote systems control the booth by the use of a relay. The relay operates the booth by connecting and disconnecting a pair of wires leading from the booth. Refer to the user's manual provided with your remote system to determine if it operates in this way. To connect your booth to this type of system a remote interface kit is required. Call ETS at the phone number listed on the back of this guide to obtain the kit. *Figure 3* below details a typical connection. Follow the instructions provided with the kit and from the remote's manual to make the necessary connections.

If you have questions consult the Troubleshooting guide in this manual or call ETS at the phone number listed on the back of this guide.

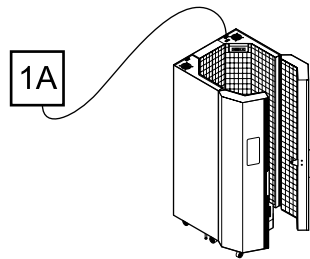


Figure 1

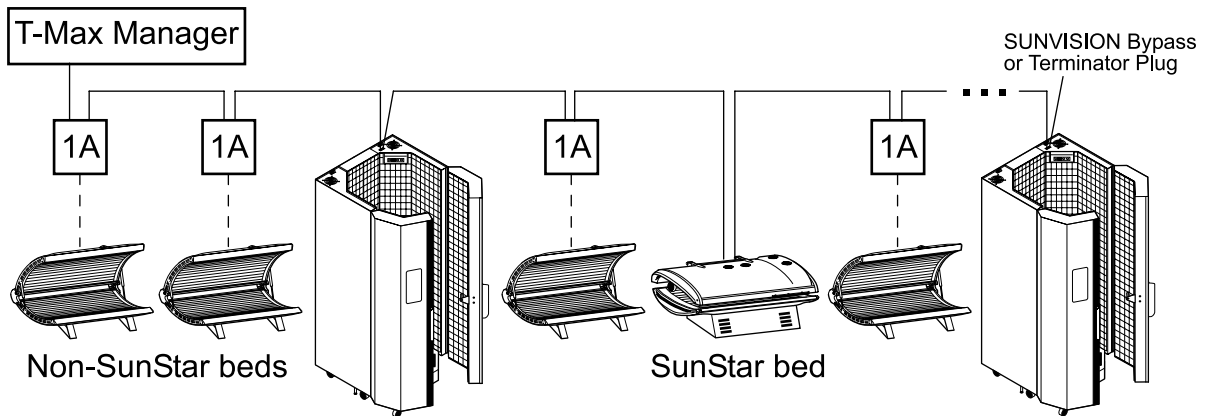


Figure 2

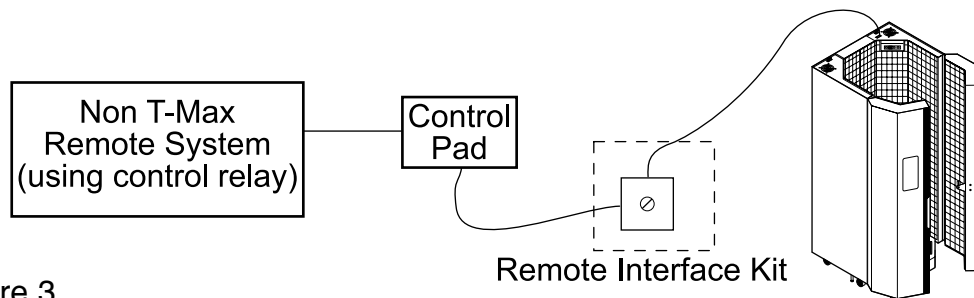


Figure 3

Operation



Before You Tan

Before using your booth, please note the following important precautions:

- **WARNING** your booth is designed for individual use. Only one pair of protective goggles is provided. **Always** wear these or another approved pair of goggles. Regular sunglasses **do not** provide adequate protection from ultraviolet light. You should never look at the lamps when turned on without wearing the appropriate protective goggles.
- Some medication may **increase your sensitivity** to ultraviolet light. It is recommended that you consult a physician before using this booth if taking any medication or if you suspect that your skin might be especially sensitive to sunlight. Included with this manual is an FDA booklet on medications that increase sensitivity to light.
- As with all electrical appliances, **do not operate this device near water or while you are wet.**

Exposure Times

We recommend that you tan every other day, following the tanning times in the exposure schedule. Tanning normally appears after the first few sessions and maximizes after approximately four weeks. Tan once or twice per week thereafter to maintain appearance. Persons already having a base tan may begin at advanced levels corresponding to the extent of their base tan.

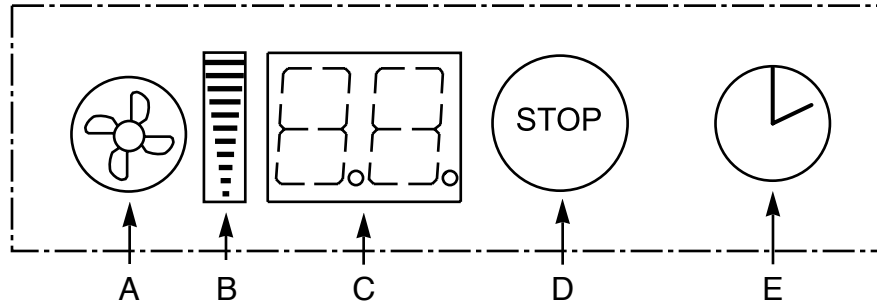
Follow the guidelines for skin type and exposure times as shown in the table below.

RECOMMENDED EXPOSURE TIMES IN MINUTES		MAXIMUM EXPOSURE TIME IS 10 MINUTES				
Skin Type:	Week # Session #	Week 1 1st-3rd	Week 2 4th-6th	Week 3 7th-10th	Week 4 11th-13th	Subsequent Maximum
I Sensitive Skin	(Burns easily and severely and does not tan.)	NOT RECOMMENDED FOR TANNING				
II Light	(Burns easily and severely and tans minimally.)	2	4	6	8	10
III Normal	(Burns moderately and tans average.)	3	5	7	10	10
IV Dark	(Burns minimally, tans easily and above average.)	4	6	8	10	10



Using Your Booth

When connected to the T-Max[®] Manager or T-Max[®] 1A



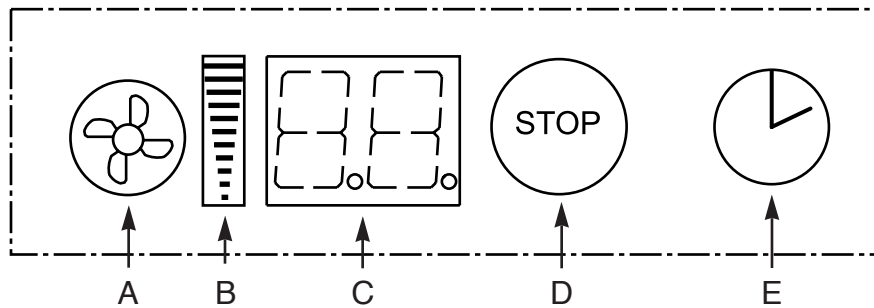
- A Body fan control** - Turns body fan on or off.
 - B Body fan indicator** - Indicates fan operation. (ON/OFF)
 - C Timer display** - Displays remaining time.
 - D Stop button** - Turns booth off.
 - E Timer button** - Turns booth on. Timer display shows remaining time. If a lesser time is desired, repeatedly press timer button until desired time is displayed.
1. Enter the booth and shut the doors behind you. Center yourself on the pedestal for even tanning.
 2. Assuming the remote system has been set to allow a pre-tanning delay time, the timer display (C) will repeatedly flash the delay symbol "dL" and then the remaining delay time. Press the timer button (E) or wait until the delay time has expired to begin the tanning session. The lamps and body fan will turn on and the timer will begin to count down. If the timer did not display a "dL", see *Troubleshooting*.
 3. If a tanning time less than the displayed time is desired repeatedly press the timer button (E) to decrease the remaining time.
 4. When the timer reaches 0 the lamps turn off. If you want to stop your session before time expires press the stop button (D).
 5. Exit the booth when the tanning session is over. The body fan runs for 3 minutes after the lamps shut off to aid in cooling the booth. The timer will indicate ". .", this is a reminder to clean the booth. After the booth is cleaned press the timer button and the display will return to "0".



Using Your Booth

When configured as a stand alone unit or when connected to a remote system using a control relay.

If your booth is connected to a T-Max[®] Manager remote system, see *Using Your Booth When connected to the T-Max[®] Manager*, previous page.



- A **Body fan control** - Turns body fan on or off.
 - B **Body fan indicator** - Indicates fan operation. (ON/OFF)
 - C **Timer display** - Displays remaining time.
 - D **Stop button** - Turns booth off.
 - E **Timer button** - Turns booth on. Timer display shows remaining time. If a lesser time is desired, repeatedly press timer button until desired time is displayed.
1. Enter the booth and shut the doors behind you. Center yourself on the pedestal for even tanning.
 2. Start the booth by pressing the timer button (E), located at the top of the canopy. The lamps and body fan will turn on and the timer display (C) will indicate the session time remaining. If less than the maximum tanning time is desired, repeatedly press the timer button (E) until the desired time is indicated.
 3. When the timer reaches 0, the lamps will turn off. If you want to stop your session before time expires press the stop button (D). The timer will then allow you ten seconds to reactivate the booth with the unused time. After ten seconds the timer system resets back to 0 minutes.
 4. Exit the booth when the tanning session is over. The cooling fans run for 3 minutes after the lamps shut off to aid in cooling the booth.

Care & Maintenance

Introduction

Your tanning booth has an hour meter which keeps track of how many hours the booth has been in operation. Use this meter to determine when your booth requires maintenance.

Cleaning After Use

Clean and disinfect your tanning booth's pedestal, handles, control console and wire grid after each use. Use a non-abrasive disinfectant cleaner. We recommend *SunQuest*[®] disinfectant. Spray a clean soft cloth with disinfectant and then clean all surfaces that the tanner may have come in contact with.

Thorough Periodic Cleaning

Introduction

The cooling fans draw air through the booth and over time will cause a dust buildup on the lamps and reflectors. This will reduce the tanning effectiveness of the booth. When a dust buildup is observed, it is necessary to thoroughly clean the inside of the booth.

Warning! Disconnect booth from electrical power before cleaning.

Cleaning the Booth

- Step 1.** Remove the wire grids and lamps as described in *Replacing Lamps*.
- Step 2.** With a soft cloth, wipe the entire length of each lamp and reflector to remove any film buildup.
- Step 3.** Re-install the lamps and wire grids as described in *Replacing Lamps*.

Mechanical Inspection

Your tanning booth has been built for years of service. To ensure trouble free operation throughout its life, inspect the unit's mechanical integrity every 400-500 hours of use.

- Inspect the unit's fasteners verifying that all are firmly in place. Pay particular attention to the door alignment. Adjust the door casters as needed. See *Assembly Step 2*.
- Inspect the AC power cable and its connections.



Replacing Lamps

To be assured of maximum tanning effectiveness, change lamps after approximately 800-1000 hours of use. Tanning will continue after this time but at a slower rate. To ensure trouble-free operation of your sunbed, replace the lamp starters whenever the lamps are replaced.

Warning! Disconnect the booth from electrical power before servicing.

Removing/Replacing Wire Grids

The wire grids in the booth are secured in place by screws. Remove these screws, located at the top of the grid, and lift the grid out of its lower slot. The inside handle on the door must also be removed before removing the door grid. Simply unscrew the handle from the handle bracket as shown. After changing lamps, replace the grids, handles and screws. When replacing the door grid, be sure to position the grid behind the retaining pin on the handle bracket to limit movement.

Removing/Replacing Lamps

After grids are removed, replace lamps as follows:

- Step 1.** Grasp the lamp at one end and at the middle, then turn the lamp a quarter turn. The lamp may then be gently removed from its holder.
- Step 2.** To re-install a lamp, insert the pins located on the ends of the lamp into the slots on top of the lamp holder and turn the lamp a quarter turn.

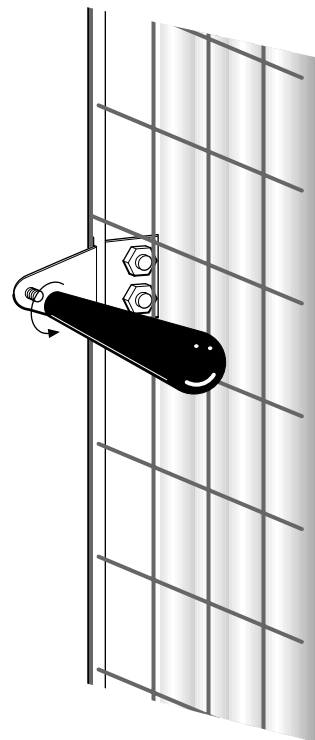
Recommended Replacement Lamps

We recommend using the lamps specified below. Use of uncertified lamps is a violation of federal regulations and will void your warranty. These lamps have an average life of 800-1000 hours of effective tanning use. Lamps used longer than that begin to lose their effectiveness even though they will continue to light.

Only the following lamp type has been certified for use in your SUNVISION® booth:

ACCELERATOR® VS-R™ Wolff®
Model VAC75-T12-160W VS-R Bi-Pin

ACCELERATOR® VHO Wolff®
Model ACC75-T12-160W VHO PREHEAT BI-PIN



Troubleshooting



Problem	Solution
Booth not tanning	<ol style="list-style-type: none"> 1. Clean booth, see <i>Thorough Periodic Cleaning</i>. 2. Ensure supply voltage is between 208 and 230V AC. 3. Replace lamps if lamp hours are greater than 800hrs.
Lamps fail to light and timer display is blank	<ol style="list-style-type: none"> 1. Make sure the unit is connected to a power source. 2. Check source of AC power. Reset circuit breaker or replace fuse.
Timer display changes to indicate a tanning time after the timer button is pressed but lamps do not come on	<ol style="list-style-type: none"> 1. Bypass plug is not installed see <i>Bypass Plug</i>. 2. A non-SUNVISION® bypass has been used. See <i>Bypass Plug</i>. 3. If remote is being used, other than T-Max® Manager, the external timer may not be activated, or... 4. remote wiring is incorrect, see the instructions provided with the remote interface kit.
My booth is connected to the T-Max® Manager remote system and when the delay time has expired the timer display starts counting down but the bed lights do not come on	The auto start feature of the remote system is disabled, see the instructions provided with your remote system.
My booth won't work with the T-max® Manager remote systems	<ol style="list-style-type: none"> 1. The booth must first be set to a unique address see <i>Remote Connections</i>. 2. The bypass or terminator plug may be installed in the series in an inappropriate location. Plug the bypass plug only into the unit at the end of the series.
Timer display continues to show a 0 after the timer button is pressed	<ol style="list-style-type: none"> 1. T-Max® Manager remote system has not yet been set. 2. booth address is not set correctly see <i>Remote Connections</i>.
The last minute of tanning time does not count down from 59 seconds, but some time less than 59 seconds	If the timer button has been pressed to decrease tanning time during the session, the time expired in the current minute is subtracted from the last minute.



Problem	Solution
One or more lamps fail to light	<ol style="list-style-type: none"> 1. Check that lamp is installed correctly. 2. Switch unlit lamp with a lamp that lights, if new lamp lights and old lamp still does not, replace old lamp.
My bed is connected to a T-Max [®] remote system but I am having trouble getting into "id" mode.	You have probably attempted to connect your sunbed to the remote system already. Disconnect the remote plug(s) from the ports at the back of the sunbed, wait 90 seconds and try again.
<p>My bed, connected to a T-Max[®] Manager, did not display "dL" but does indicate: "0".</p> <p>a tanning time and the lamps have come on.</p> <p>a tanning time but the lamps have not come on.</p>	<ol style="list-style-type: none"> 1. Remote device has not been set. 2. The sunbed has not been connected to the remote system, see <i>Remote Connections</i>. <ol style="list-style-type: none"> 1. Delay time of T-Max[®] Manager has not been set. 2. Delay time has expired and session has begun. <p>Auto start function of T-Max[®] Manager has been turned off. Press the timer button to turn on lamps</p>
Timer display is indicating Er 1	Body lamps are on when they should be off, have service technician check the contactor.
Timer display is indicating Er 2	Body lamps are off when they should be on, have servicer check contactor and its wiring from the main timer box.
Timer display is indicating Er 3	Bench lamps are on when they should be off, have service technician check the contactor.
Timer display is indicating Er 4	Bench lamps are off when they should be on, have service technician check the contactor and its wiring from the main timer box.
Timer display is indicating Er 5	Not currently used
Timer display is indicating Er 6	Not currently used



Problem	Solution
Timer display is indicating Er 7	Face Tanner contactor is closed when it should be open, have service technician check the contactor.
Timer display is indicating Er 8	Face Tanner contactor is open when it should be closed, have service technician check the contactor and its wiring from the main timer box.
Timer display is indicating Er 9	Ballast Drawer is open or drawer switch is broken.
Timer display is indicating Er 10	Timer computer is in an illegal state, reset power to correct, replace main timer if error reoccurs.
Timer display is indicating Er 11	Timer computer is in an illegal state, reset power to correct, replace main timer if error reoccurs.
Timer display is indicating Er 12	Timer computer is in an illegal state, reset power to correct, replace main timer if error reoccurs.
Timer display is indicating Er 13	Timer computer is in an illegal state, reset power to correct, replace main timer if error reoccurs.
Timer display is indicating Er 14	The timer display is not responding; 1. Check cable to display. 2. Replace display assembly. 3. Replace main timer box.
Timer display is indicating Er 15	Timer computer is in an illegal state, reset power to correct, replace main timer if error reoccurs.

**CALL FOR SERVICE OR
QUESTIONS:**

1•800•228•6292



**6270 Corporate Drive
Indianapolis, IN 46278-2900**

Have the following information ready
when calling ETS to order parts or service
for your bed:

Date Purchased_____

Canopy Serial Number_____

Bench Serial Number_____