

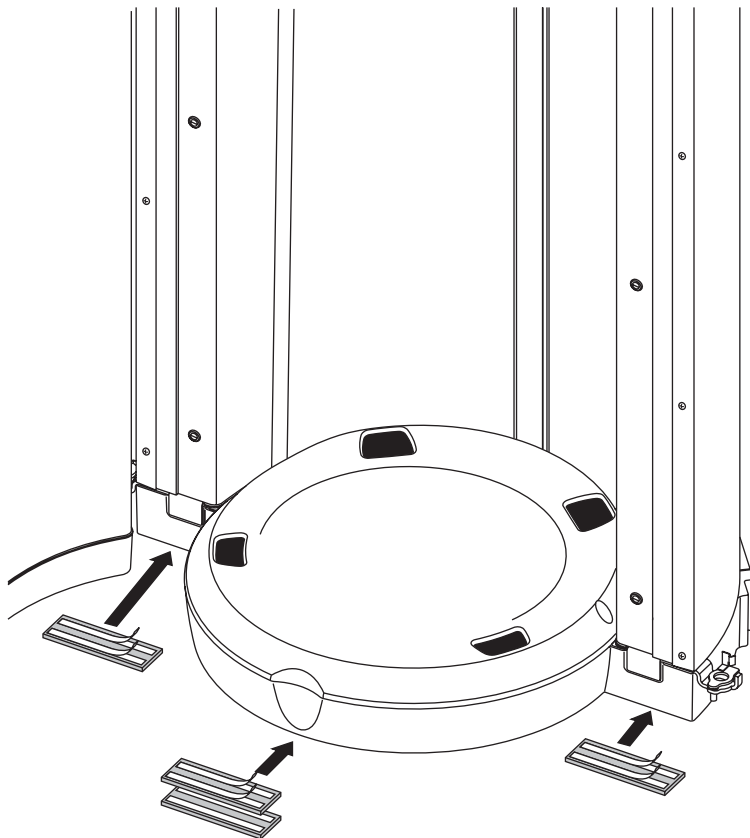
756V/652V BASE SHIM KIT

Symptom: The doors are rubbing the floor.

Solution: This kit contains four (4) shims to raise the front of the booth. Each shim contains two strips of double-sided foam tape.

1. Have a helper or two rock the unit back, lifting the front of the base slightly. Remove the backing strip from the tape and slide a shim under each side of the base (see below).

2. Stick 2 shims together and slide the shims under the front of the base to prevent rocking.



NOTE: Right door removed for illustration purposes only.

28794-01A

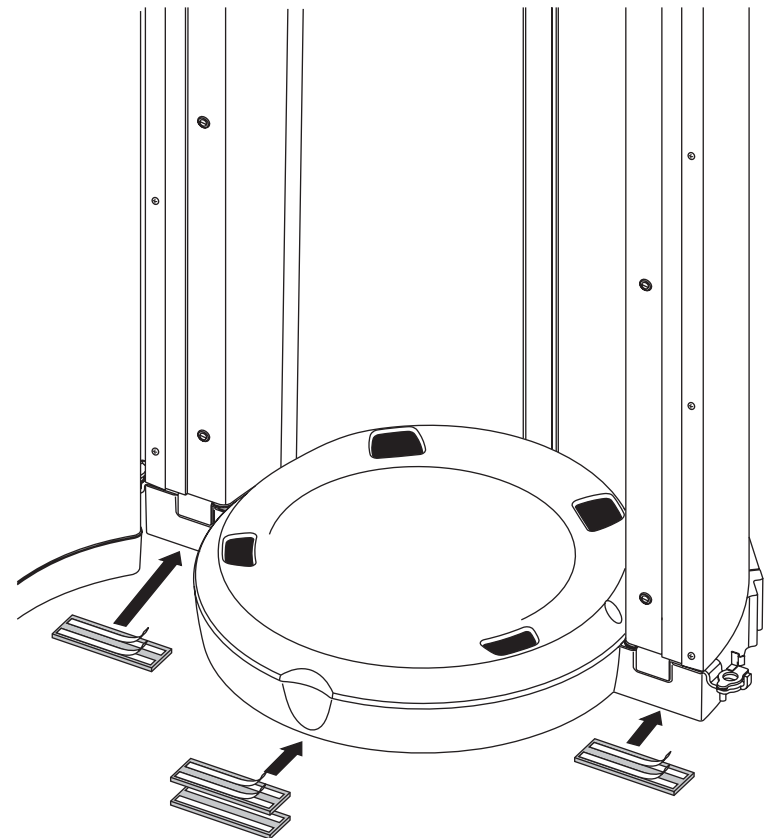
756V/652V BASE SHIM KIT

Symptom: The doors are rubbing the floor.

Solution: This kit contains four (4) shims to raise the front of the booth. Each shim contains two strips of double-sided foam tape.

1. Have a helper or two rock the unit back, lifting the front of the base slightly. Remove the backing strip from the tape and slide a shim under each side of the base (see below).

2. Stick 2 shims together and slide the shims under the front of the base to prevent rocking.



NOTE: Right door removed for illustration purposes only.

28794-01A