

Models: 652/756 (all)

Implementation of new hinge foot and end cap base for stabilization of units.

Parts to be replaced:

End cap, base metal left and right side

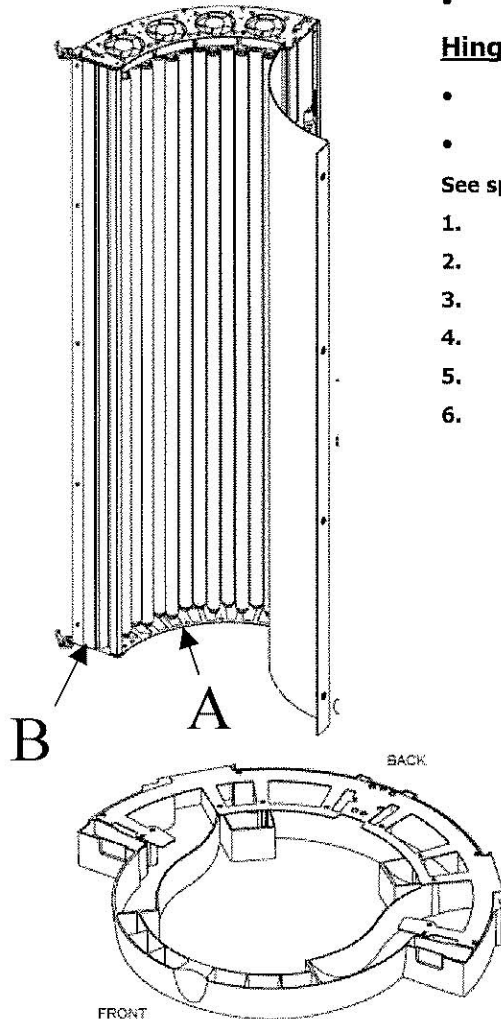
- (A) 28053-01 replaces 26193-01
- (A) 28053-02 replaces 26193-02

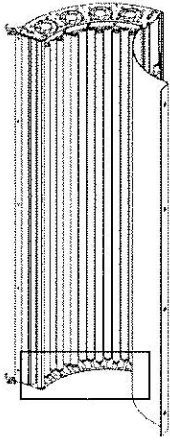
Hinge, Foot left and right side

- (B) 27926-01 replaces 26209-01
- (B) 27926-02 replaces 26209-02

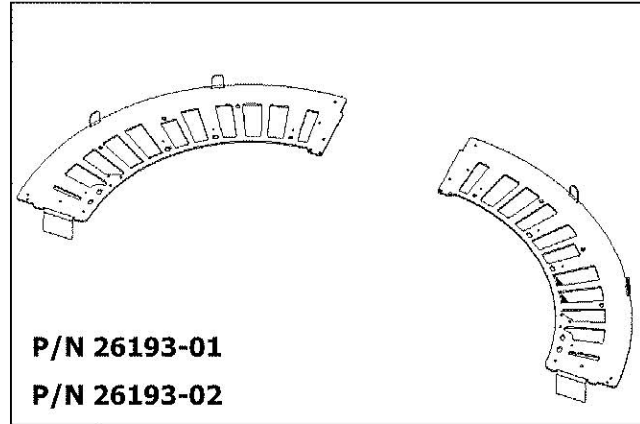
See specification 27975-01A for for disassembly/assembly procedures.

1. Dis-assemble left and right modules from base of unit.
2. Remove old hinge (26209 -01,-02) from module
3. Remove old End plate (26193-01,-02) from module.
4. Add new End plate (28053-01,-02) to module.
5. Add new hinge (27926-01,-02) to module.
6. Re-assemble modules.

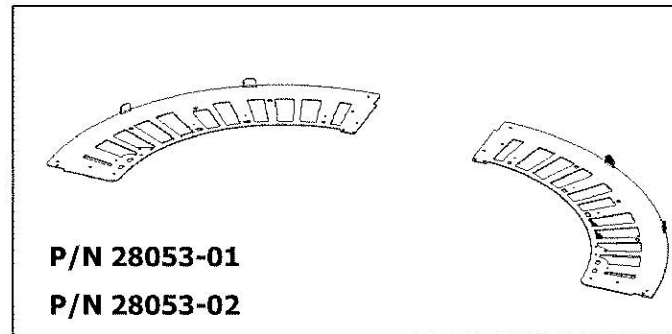


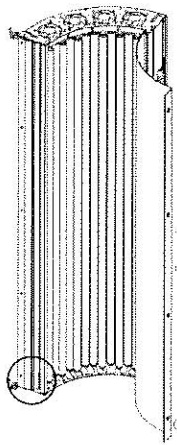


End cap, base metal
left and right sides

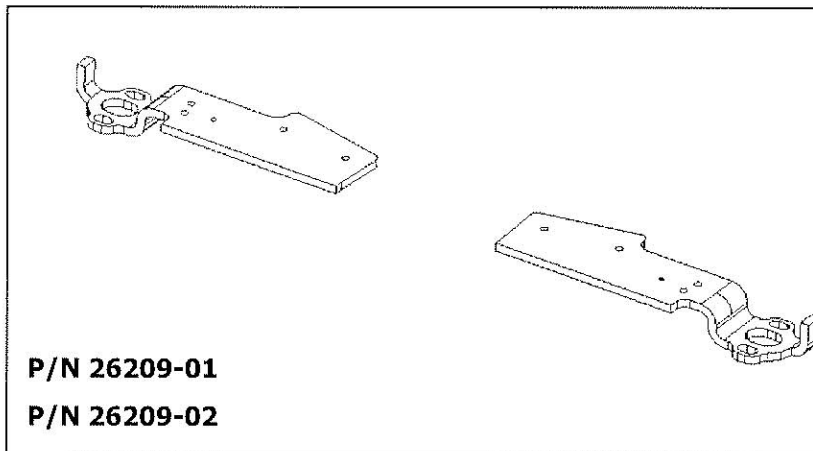


Replaced by:





Hinge, Foot left and right sides



**Replaced by:
(2) Places only at foot**

