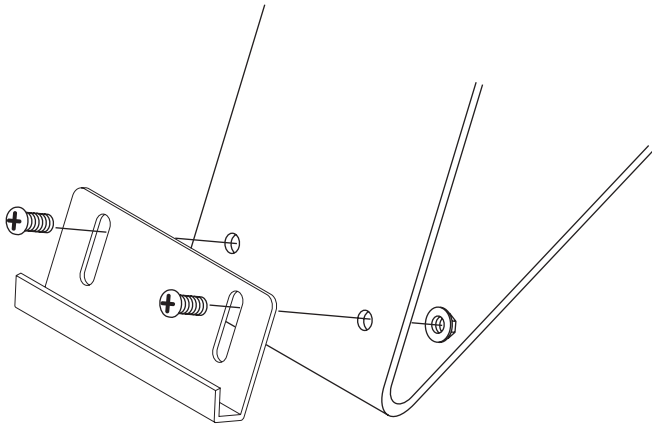


SKIRT INSTALLATION INSTRUCTION

(for XS-Power tanning beds)

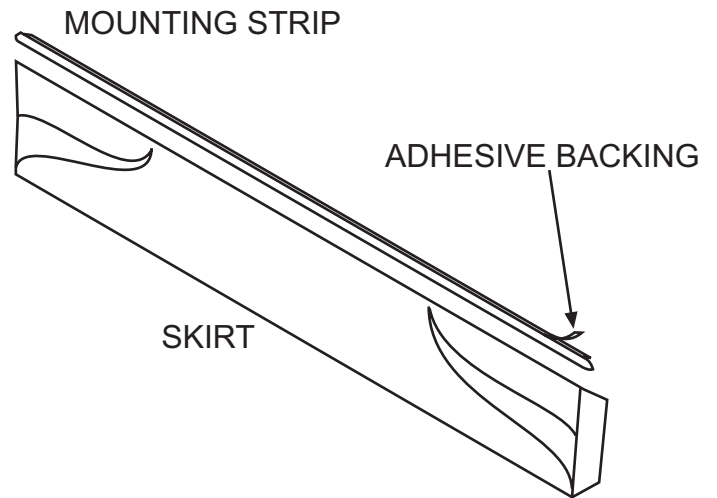


On the front of each leg are two holes for skirt mounting brackets. NOTE: The holes are on one side of the legs. If they are on the backside, simply remove the legs and turn them around.

Mount the brackets as shown, with two #10-32 x 1/2" screws and two #10-32 locking nuts each. The slotted holes on the brackets are for adjustment to hold the skirt tightly.

Place the mounting strip on the top of the skirt with the adhesive strip toward the back.

Peel the backing from the adhesive strip.



Place the bottom of the skirt panel into the skirt mounting brackets and press the adhesive strip firmly to the bench cover.

