

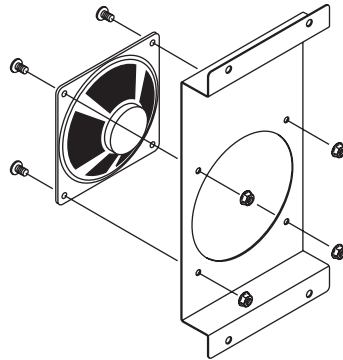
IMPORTANT - READ ME FIRST

Solar System 32 Speaker Installation Instructions

Follow these instructions carefully.

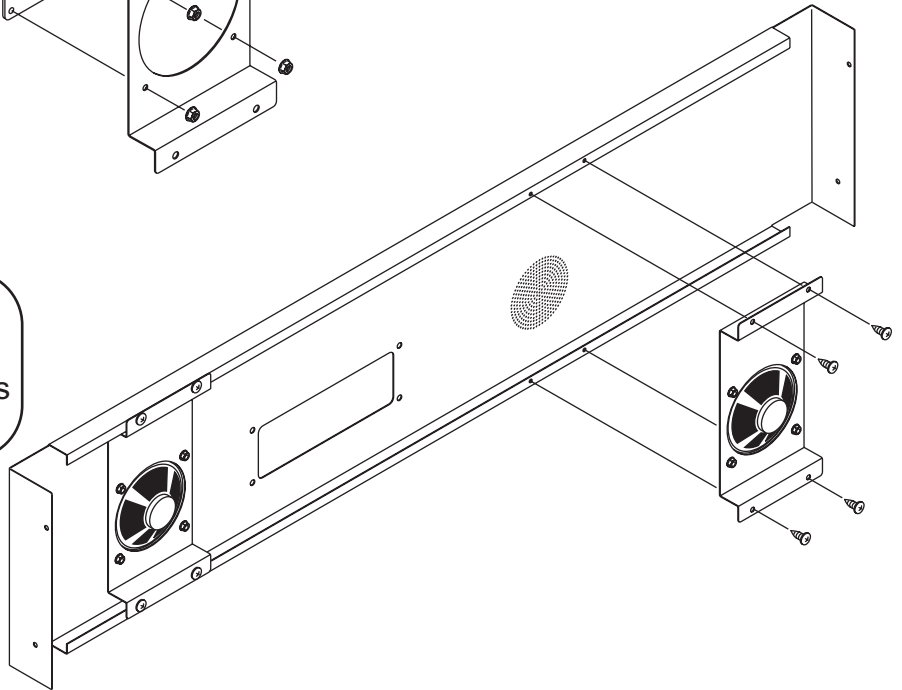
1

Using the #8-32 x 1/2" screws and #8-32 lock nuts, secure the Speakers to the Speaker Mounting Brackets as shown.



2

Mount the brackets to the Gas Spring Cover Panel using (4) #10 x 1/2" screws each.



3

Mount the Gas Spring Cover Panel assembly to the Stand Uprights with (4) blue-headed #10 x 1/2" screws (located in the main hardware kit), two on each side, as described in the User Manual

4

The speaker wires provided with this kit are 10' long to allow connection to a stereo. One end of the wires has connectors which slide onto the tabs on the back of the speakers, as shown at right. Connect the wires to a stereo as described in your stereo manual.

TO STEREO

