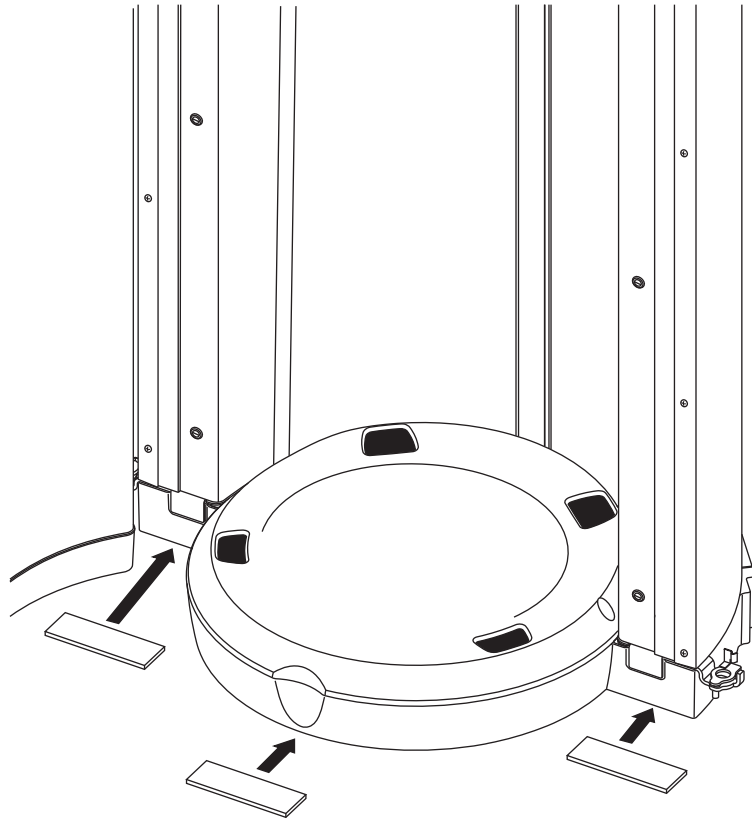


## 756V/652V BASE SHIM KIT

**Symptom:** The doors are rubbing the floor.

**Solution:** This kit contains three (3) shims to raise the front of the booth. Have a helper or two rock the unit back, lifting the front of the base slightly. Slide a shim under each side of the base (see below). Slide the remaining shim under the front of the base to prevent rocking.



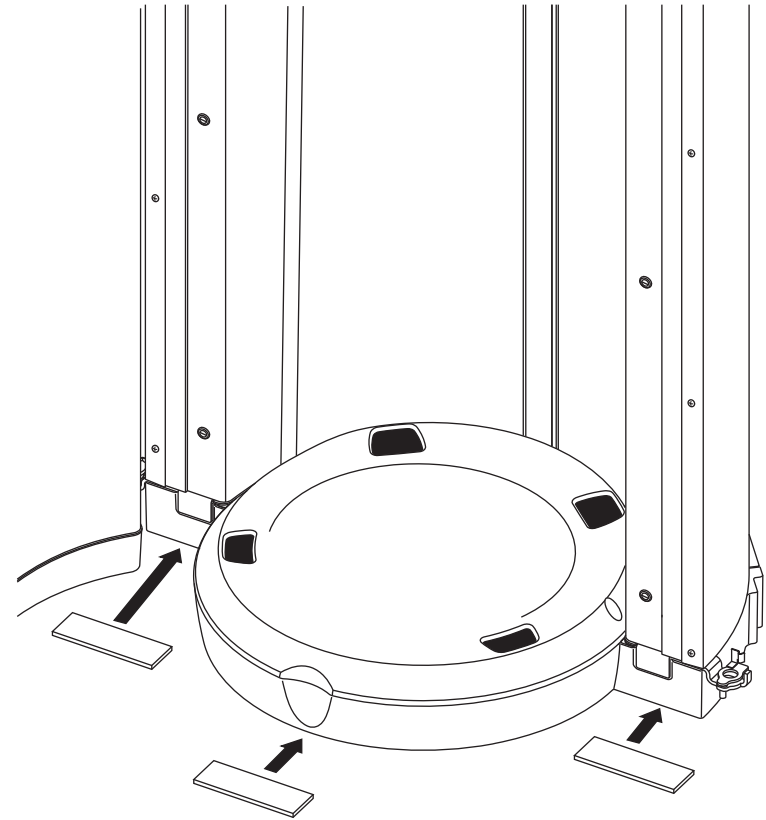
NOTE: Right door removed for illustration purposes only.

27063-02A

## 756V/652V BASE SHIM KIT

**Symptom:** The doors are rubbing the floor.

**Solution:** This kit contains three (3) shims to raise the front of the booth. Have a helper or two rock the unit back, lifting the front of the base slightly. Slide a shim under each side of the base (see below). Slide the remaining shim under the front of the base to prevent rocking.



NOTE: Right door removed for illustration purposes only.

27063-02A