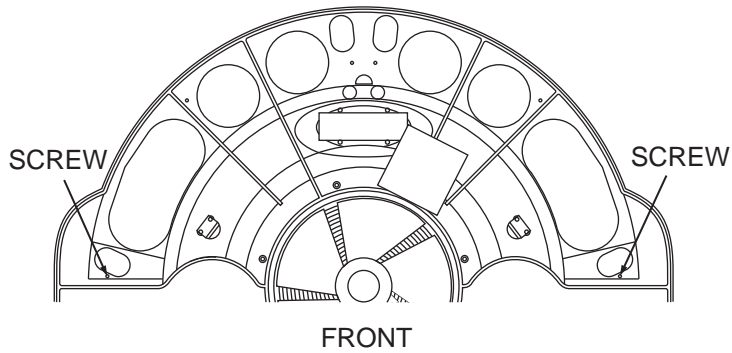


756V/652V CEILING SHIM KIT

Symptom: The doors are scraping the ceiling.

Solution: This kit contains six (6) shims to raise the front of the ceiling panel. Remove the dome. It is held in place by four or six screws.

With the dome removed you will see the ceiling panel. Loosen the front two screws holding the ceiling panel (indicated below). Lift the front of the ceiling panel and slide a shim between the ceiling panel and the left and right modules (see photo at bottom). Tighten the screws and reassemble the dome. Use more shims if necessary.



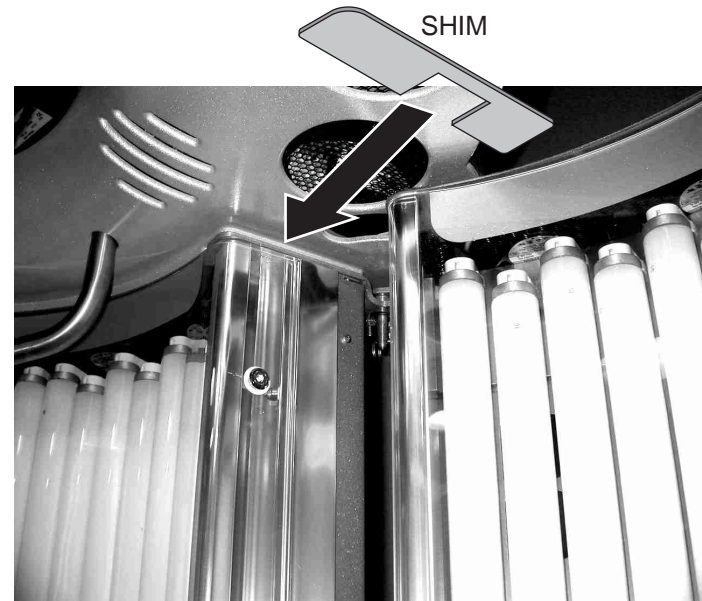
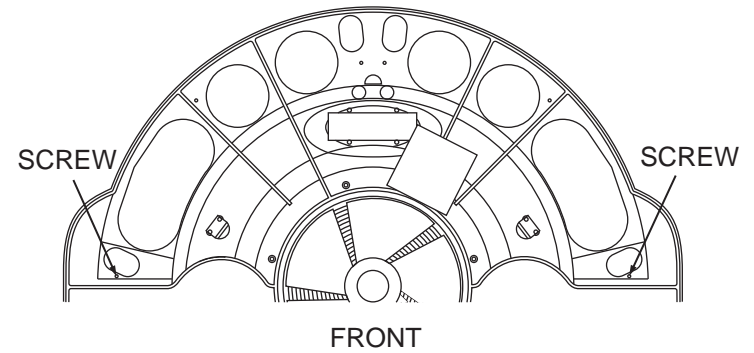
27063-01A

756V/652V CEILING SHIM KIT

Symptom: The doors are scraping the ceiling.

Solution: This kit contains six (6) shims to raise the front of the ceiling panel. Remove the dome. It is held in place by four or six screws.

With the dome removed you will see the ceiling panel. Loosen the front two screws holding the ceiling panel (indicated below). Lift the front of the ceiling panel and slide a shim between the ceiling panel and the left and right modules (see photo at bottom). Tighten the screws and reassemble the dome. Use more shims if necessary.



27063-01A