
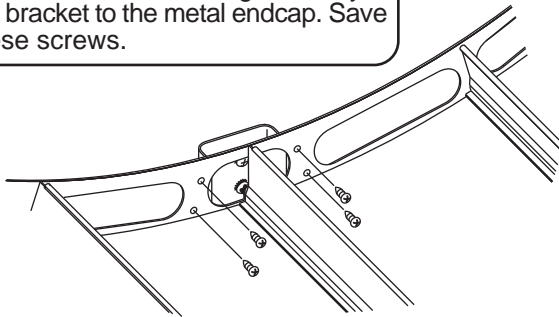


# Installing the Body Fan on a SUNSTAR 332 and 432

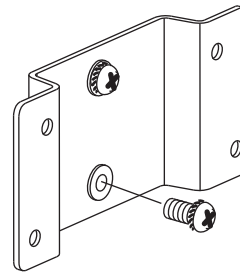
You will need a #2 Phillips screwdriver to perform this procedure.

	<b>WARNING</b>
	Shock hazard. Be sure AC power is not connected before performing this procedure.

**1**  
Open the bench acrylic. At the foot end, inside the lamp area, remove the four screws securing the body fan bracket to the metal endcap. Save these screws.

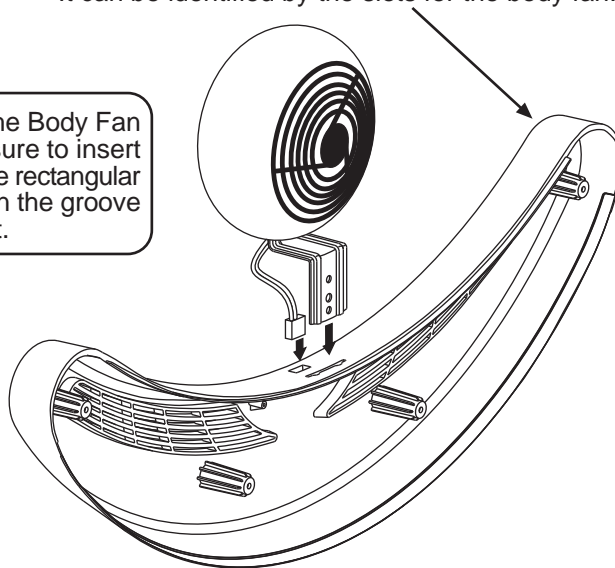


**2**  
Remove the two 1/4-20 x 1/2" screws in the bracket. Again, save these screws.

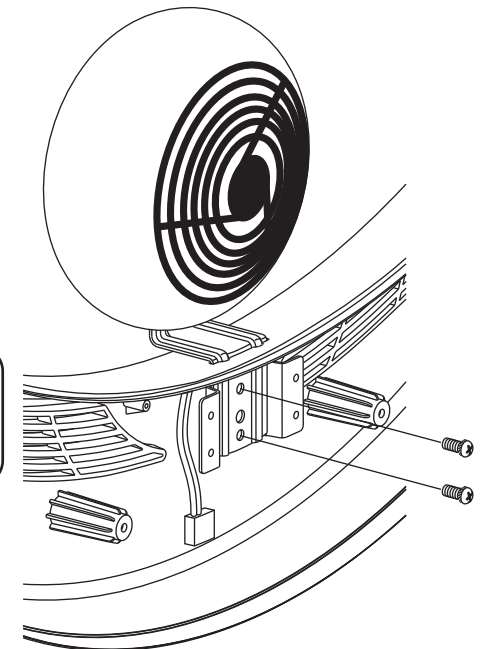


Locate the Body Fan Endcap packaged with the Bench. It can be identified by the slots for the body fan.

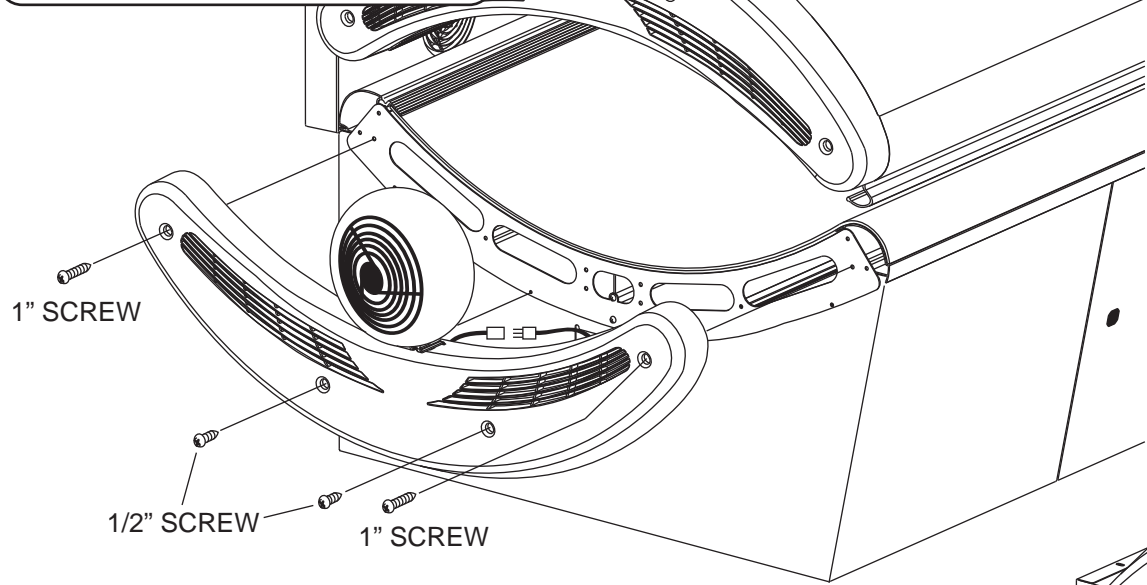
**3**  
Slip the Body Fan into the Body Fan Endcap, as shown. Be sure to insert the wire connector into the rectangular hole and route the wire in the groove in the Body Fan Bracket.



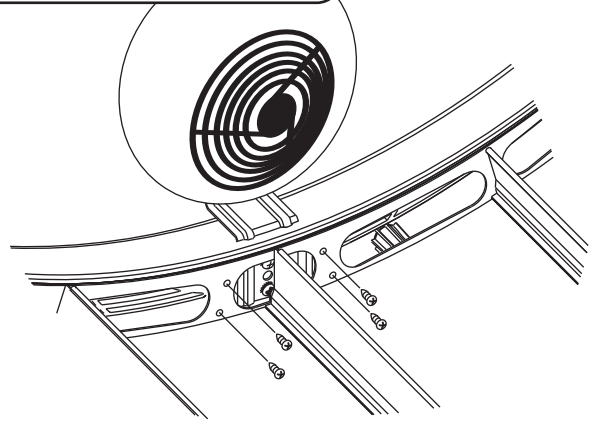
**4**  
Place the Body Fan Mounting Bracket behind the Body Fan Bracket and secure with the (2) 1/4-20 x 1/2" screws.



**5** Connect the Body Fan power cord to the cord coming out of the end of the bench. Using two #10 x 1/2" screws in the middle holes and two #10 x 1" screws in the outer holes (supplied in the main hardware kit) attach the endcap to the bench. Start all four screws in their holes before tightening. Tighten the screws.



**6** Working from the inside of the bench, fasten the Body Fan Mounting Bracket to the metal endcap with the (4) #10 x 1/2" screws removed earlier.



**7** Close the bench acrylic.

