
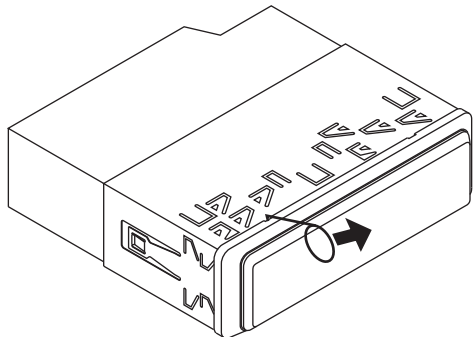


IMPORTANT

Stereo Installation Instructions

(Disregard the INSTALLATION MANUAL supplied with the stereo.)

	⚠ DANGER
	Shock hazard. Be sure AC power is not connected before performing this procedure.

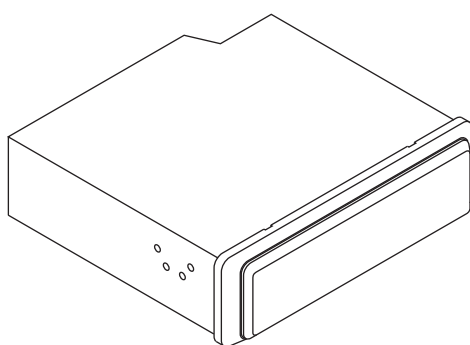
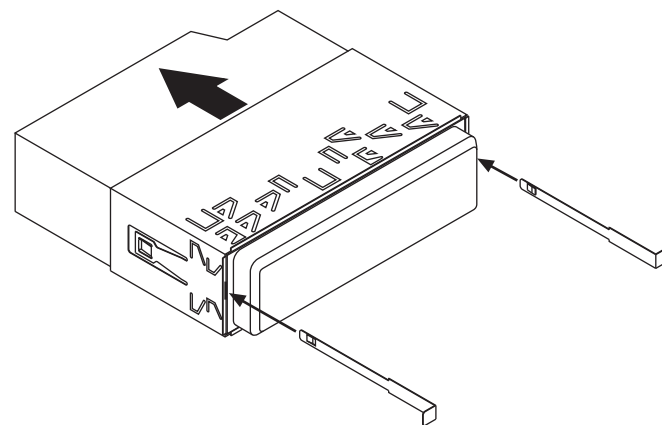


REMOVE THE FACEPLATE

Using the small wire tool, carefully pull the face plate off. Simply hook one of the notches and pull up and out, as shown. Do the same at all four notches to release the faceplate.

REMOVE THE MOUNTING SLEEVE

Slide the two pullers straight into the slots on both sides of the Stereo until they click. Push the mounting sleeve off of the Stereo.

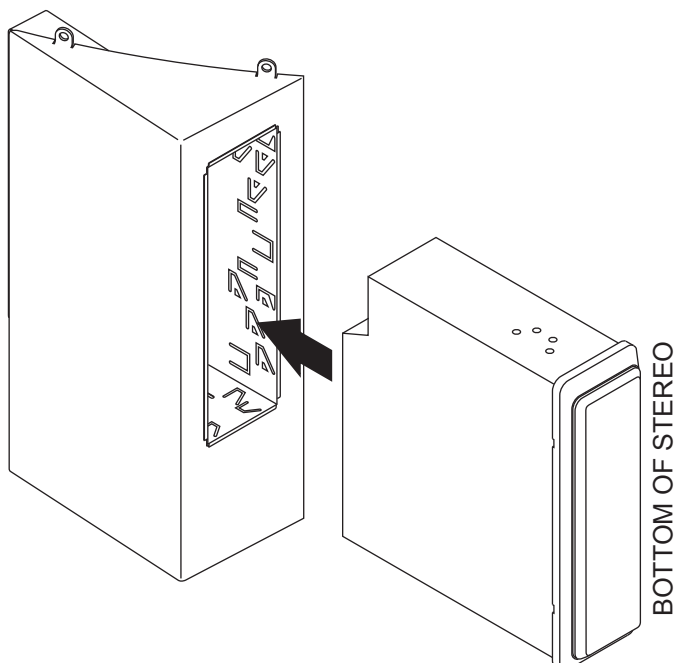
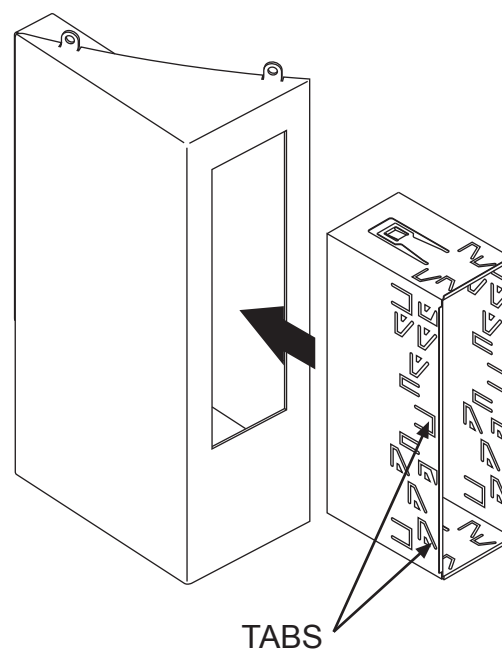


REPLACE THE FACEPLATE

Snap the faceplate back onto the front of the Stereo.

INSTALL THE MOUNTING SLEEVE

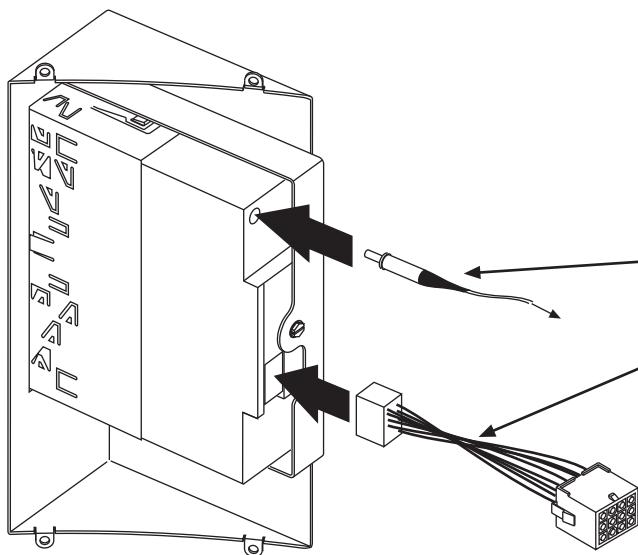
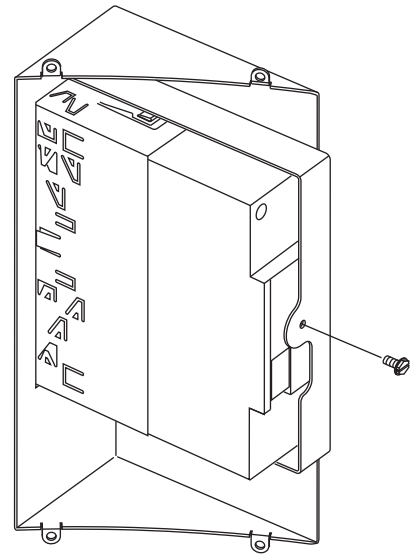
Slide the Mounting Sleeve into the Stereo Housing. Bend a few tabs outward to secure the sleeve in the box.



SLIDE THE STEREO INTO THE HOUSING

Make sure the stereo is in the orientation shown. Slide it into the housing until it locks in place.

SECURE THE STEREO
 Secure the stereo in the housing with the slotted hex-head screw.

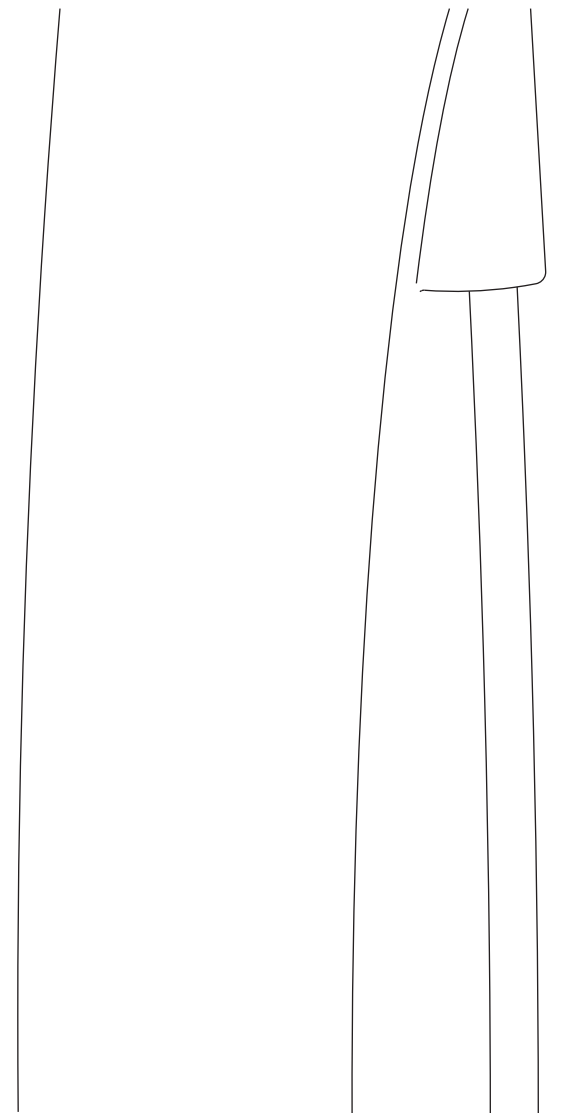
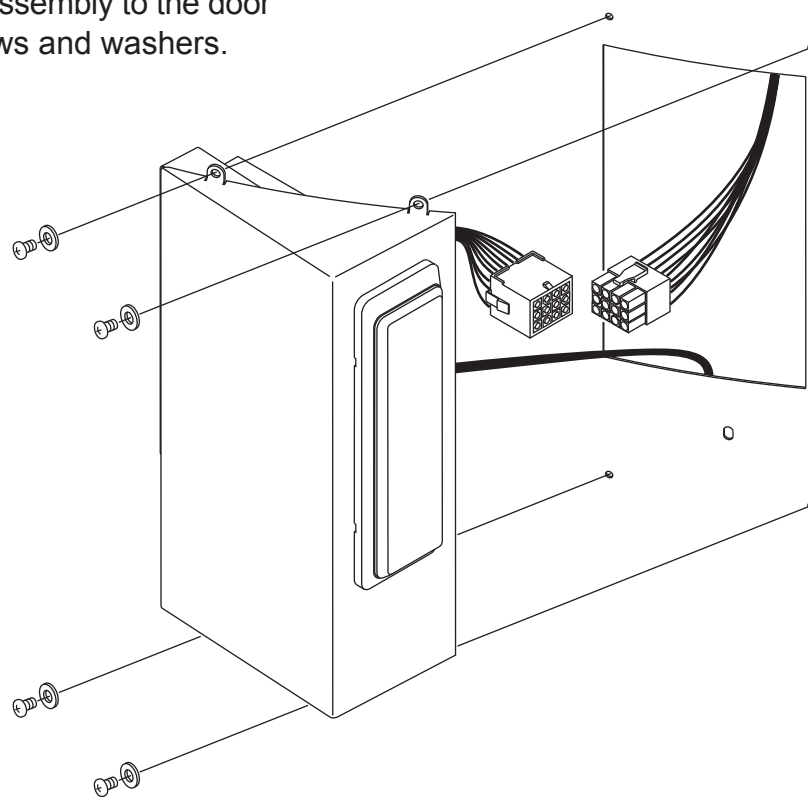


STEREO WIRING
 Plug the Antenna into the Stereo.

Plug the Stereo Wiring Harness into the Stereo.

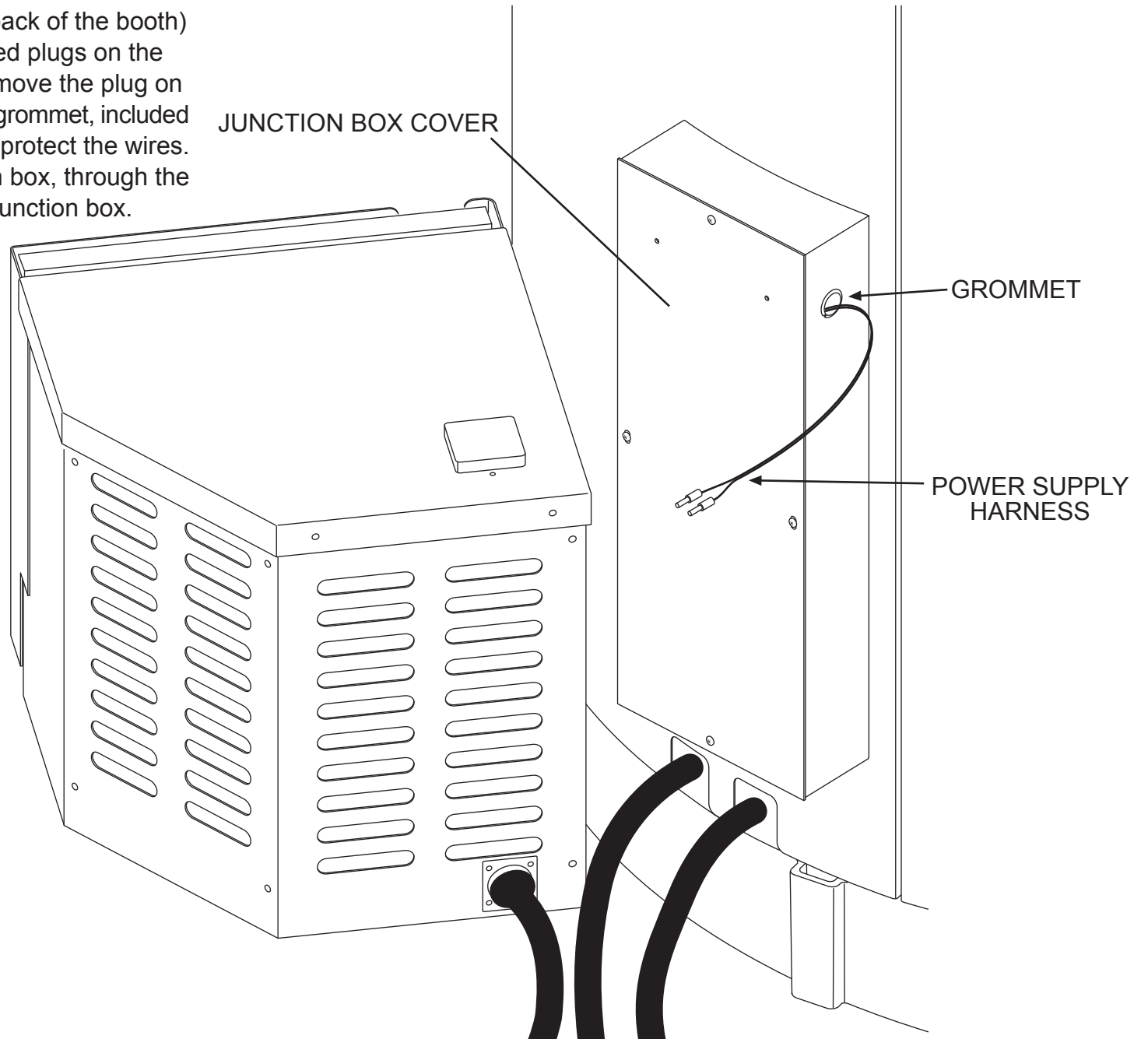
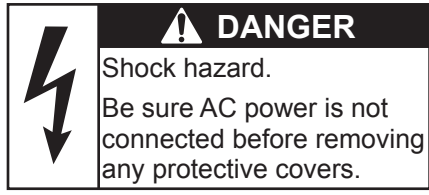
INSTALL THE STEREO

Connect the Stereo Wiring Harness to the harness coming out of the booth left door. Carefully feed all the wires into the door as the Stereo Assembly is installed. The Antenna will simply hang inside the door. Attach the Stereo Assembly to the door with four #10-32 x 1/2" screws and washers.



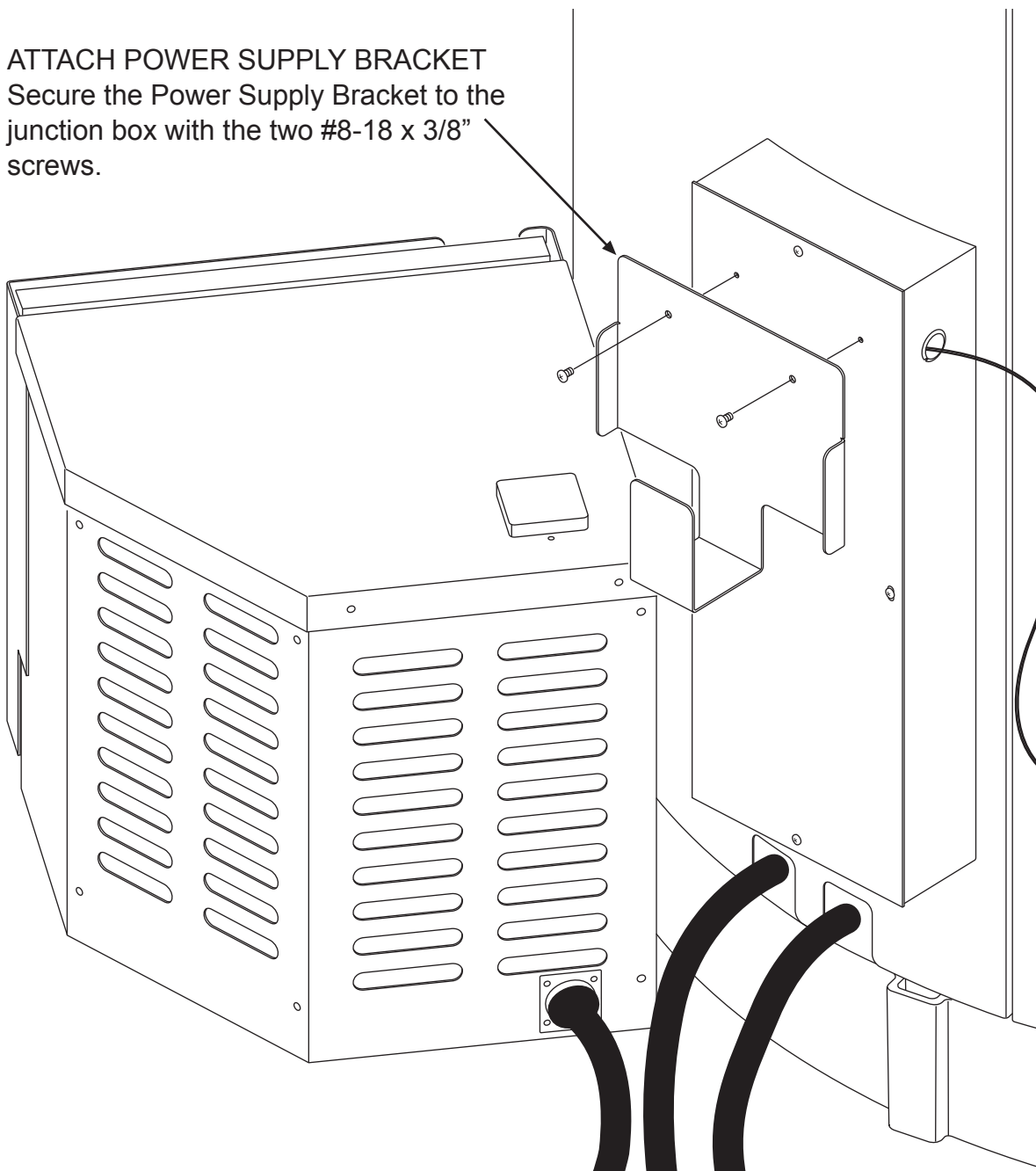
BRING OUT POWER SUPPLY WIRES

Inside the junction box (on the back of the booth) is a wire harness with two colored plugs on the end. Open the junction box. Remove the plug on the side of the box and insert the grommet, included in the stereo kit, into the hole to protect the wires. Run the wires out of the junction box, through the hole. Replace the cover on the junction box.



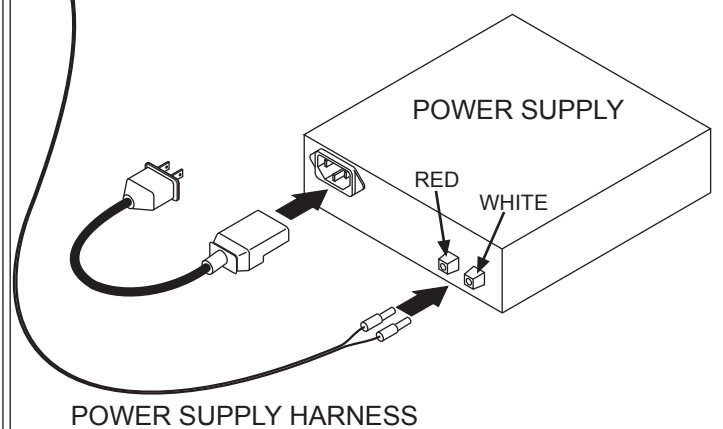
ATTACH POWER SUPPLY BRACKET

Secure the Power Supply Bracket to the junction box with the two #8-18 x 3/8" screws.



CONNECT STEREO POWER SUPPLY

Plug the wires coming out of the junction box into the matching receptacles on the back of the Stereo Power Supply. There is a red and a white plug. Plug the power cord into the back of the Stereo Power Supply.



ENJOY THE MUSIC

Place the Stereo Power Supply into the Power Supply Bracket. Plug the Stereo Power Supply into a 120V wall outlet. Turn the Stereo Power Supply on. Follow the operating instruction included with the Stereo.