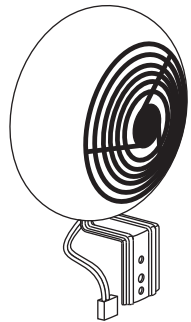



Installing the Body Fan on a SUNSTAR ZX32


You will need a #2 Phillips screwdriver to perform this procedure.

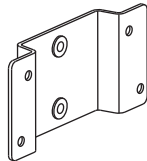
In this kit you should find the following parts:



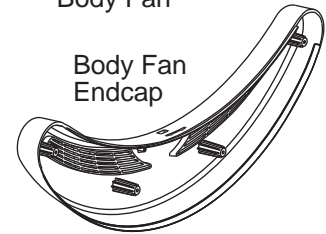
Body Fan

 (2) - #10 x 1/2" Phillips pan head sheet metal screws


 (2) - 1/4-20 x 1/2" Phillips pan head machine screws with lock washer



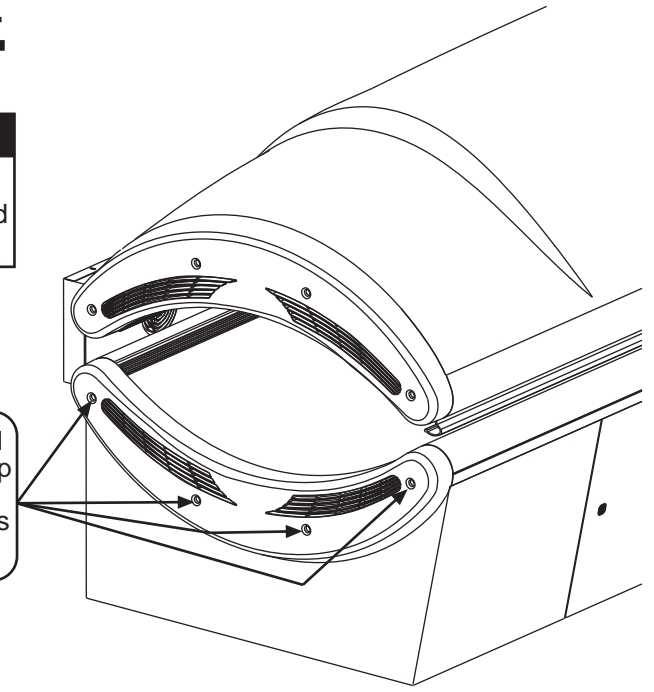
Body Fan Mounting Bracket



Body Fan Endcap

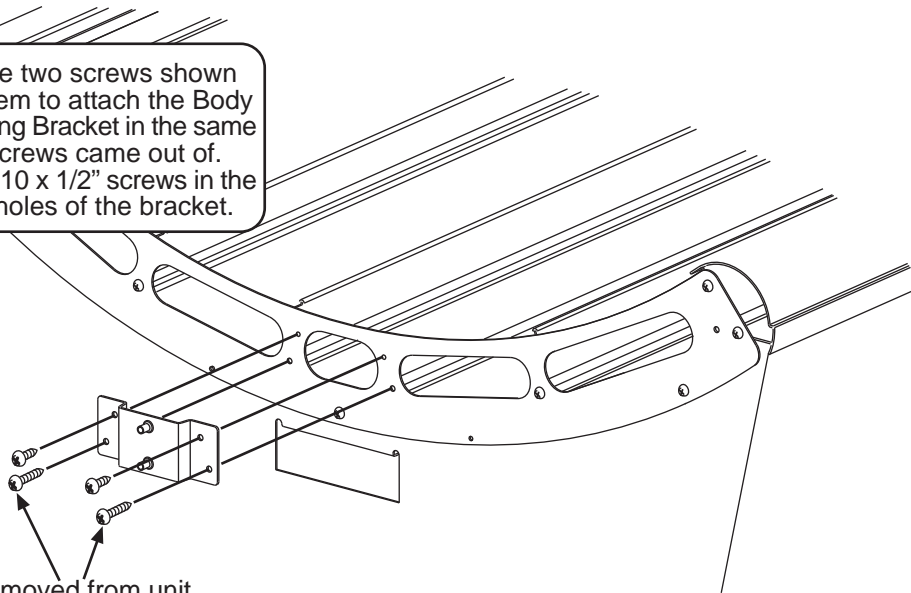
	WARNING
	Shock hazard. Be sure AC power is not connected before performing this procedure.

1 Open the bench acrylic shield and remove the Foot End Bench Endcap by removing the four screws that hold it in place. Save these screws to install the new endcap.

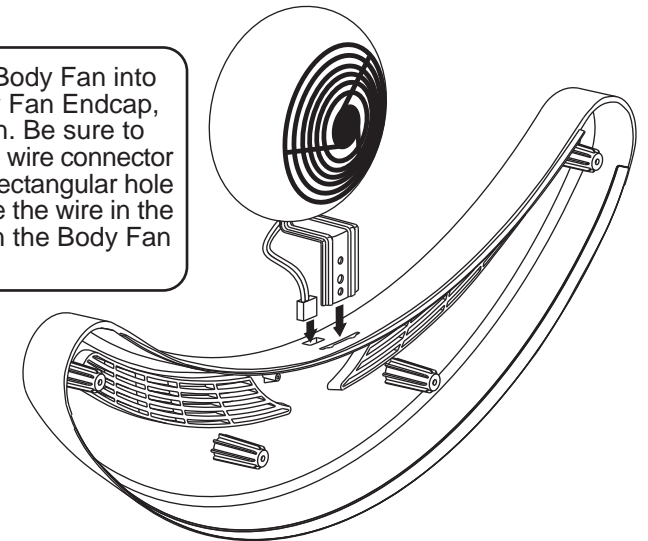


2 Remove the two screws shown and use them to attach the Body Fan Mounting Bracket in the same holes the screws came out of. Install the #10 x 1/2" screws in the upper two holes of the bracket.

Removed from unit

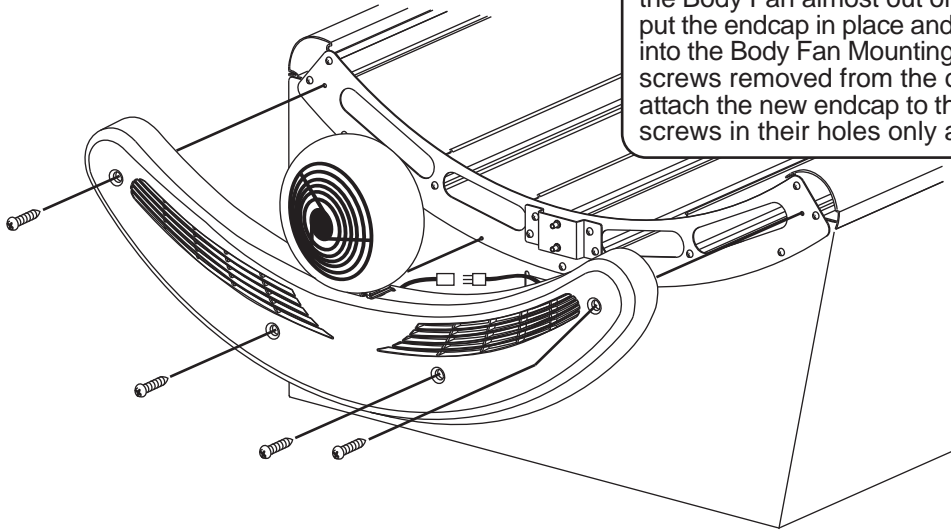


3 Slip the Body Fan into the Body Fan Endcap, as shown. Be sure to insert the wire connector into the rectangular hole and route the wire in the groove in the Body Fan Bracket.



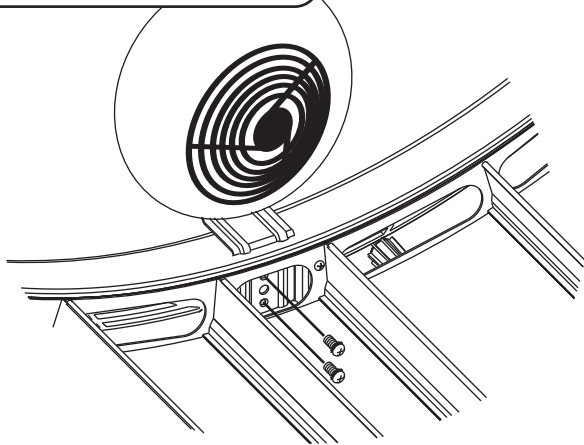
4

Holding the Endcap and Body Fan together, connect the Body Fan power cord to the cord coming out of the end of the bench. Then, pull the Body Fan almost out of the endcap as you put the endcap in place and drop the Body Fan into the Body Fan Mounting Bracket. Using the screws removed from the old endcap, loosely attach the new endcap to the bed. Start all four screws in their holes only a few turns.



5

Working from the inside of the bench, fasten the Body Fan Bracket to the Body Fan Mounting Bracket with the (2) 1/4-20 x 1/2" screws.



6

Tighten the screws holding the endcap on and close the bench acrylic.

