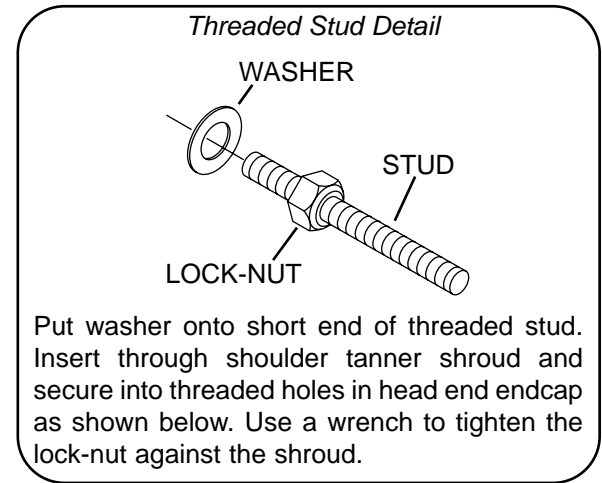
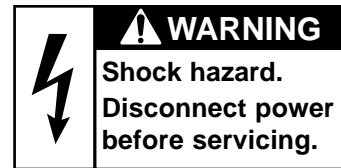
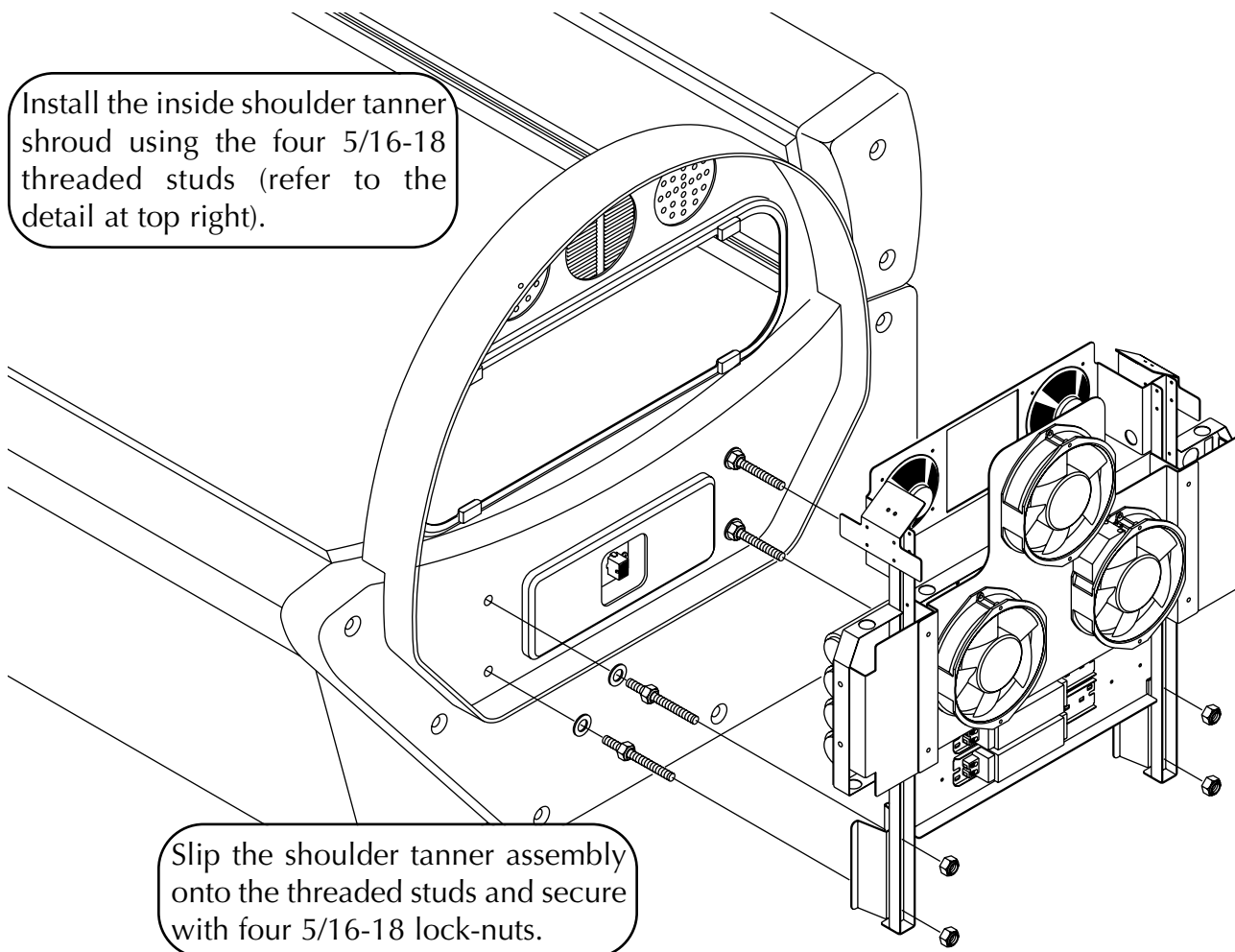


# Installation of your Shoulder Tanner

You will need a #2 Phillips screwdriver, a 1/2" wrench and a 1/2" socket wrench. All hardware needed to install the shoulder tanner is included in the shoulder tanner box. The shoulder tanner power cord from the bed must be installed in the head end bench endcap before beginning this procedure. Refer to your user manual for details if needed.

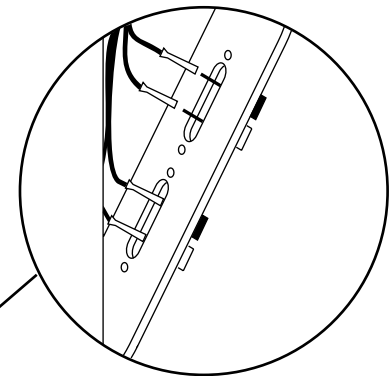


(The canopy has been deleted from the illustrations.)



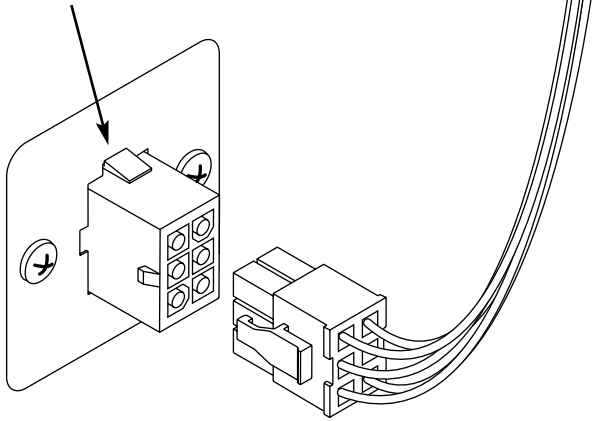
Install the inside shoulder tanner shroud using the four 5/16-18 threaded studs (refer to the detail at top right).

Slip the shoulder tanner assembly onto the threaded studs and secure with four 5/16-18 lock-nuts.



At the bottom right of the inside shoulder tanner shroud are two speaker hook-ups. There are two pairs of wires coming from the shoulder tanner assembly speakers. One in each pair is white and the other is black. Press the black wire onto the black terminal and the white one onto the red terminal.

SHOULDER TANNER POWER  
CORD CONNECTOR IN ENDCAP



TO SHOULDER  
TANNER ASSEMBLY

Plug the cord from the shoulder  
tanner into the connector in the  
head end bench endcap.

The outside shoulder tanner  
shroud presses into the inside  
shroud as shown. Secure in  
place with the four #10 x 1/2"  
screws through the holes  
around the shroud.

