

# Body Cooling Fan Upgrade

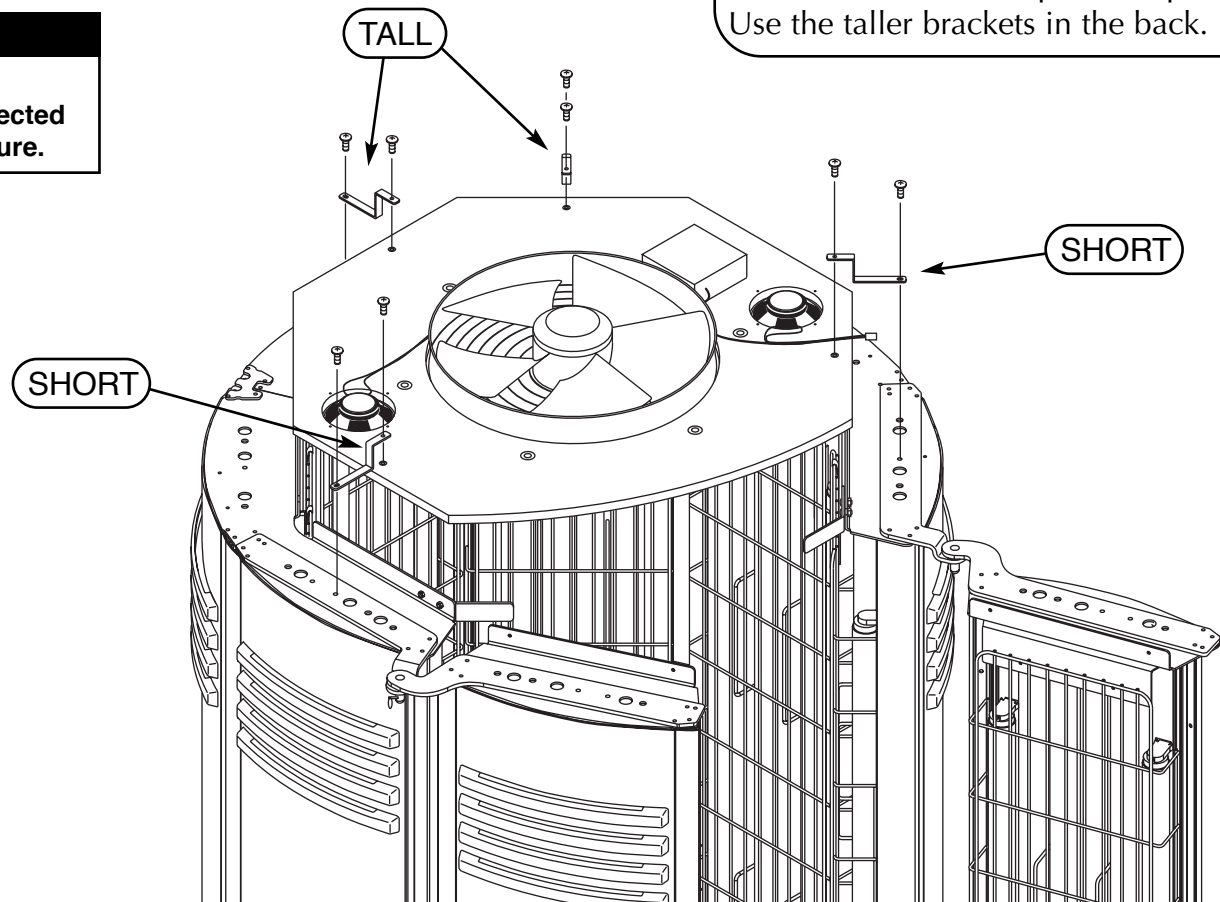
You will need a #2 Phillips screwdriver. Before you can install this upgrade kit you need to perform the following:

- Remove the orange dome from the top of the unit. It is held in place by four screws.
- Disconnect the cable running to the body fan / speaker assembly and remove the assembly. It is also held in place with four screws.

These items are no longer needed.



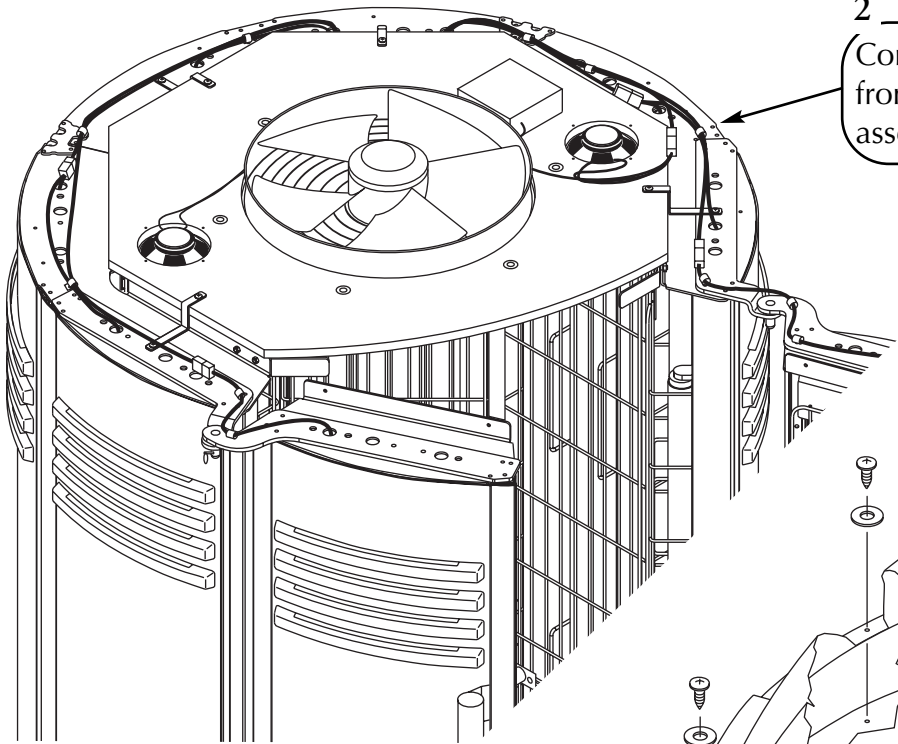
1 Position the new body fan / speaker panel on top of the booth, with the curved edge toward the door opening. There are four "z" brackets included in this kit. Two are slightly shorter than the others (see illustration). Use these, and the #10-32 x 1/2" screws, to secure the panel in place in the front. Use the taller brackets in the back.



(continued on back)

24254-02A

2  
Connect the cord disconnected from the old body fan / speaker assembly to the new one.



3  
Install the new dome with four #10 x 1/2" screws and washers, as shown. Make sure the slots in the dome flange engage the two pins on top of the hinge plates (shown at right) when installed. You may need to squeeze the dome slightly.

