

# Body Cooling Fan Installation

You will need a #2 Phillips screwdriver. If this kit is to be used as an upgrade from your current fan you need to perform the following before beginning the installation:

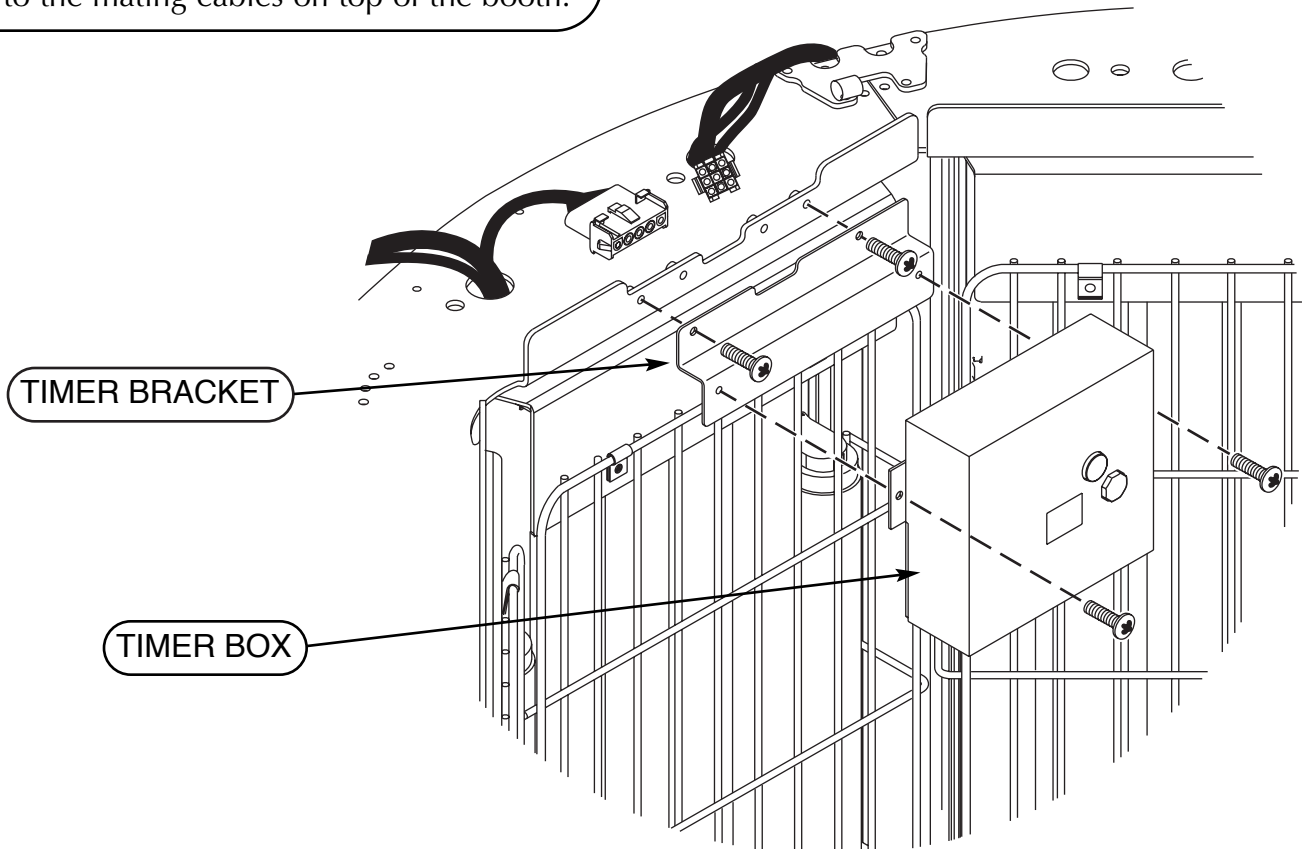
- Remove the orange dome from the top of the unit. It is held in place by four screws.
- Disconnect the cable running to the body fan / speaker assembly and remove the assembly. It is also held in place with four screws.
- The new body fan / speaker panel interferes with the old style timer box. Disconnect the cables from the timer box and unscrew the timer from the booth.



These items are no longer needed.

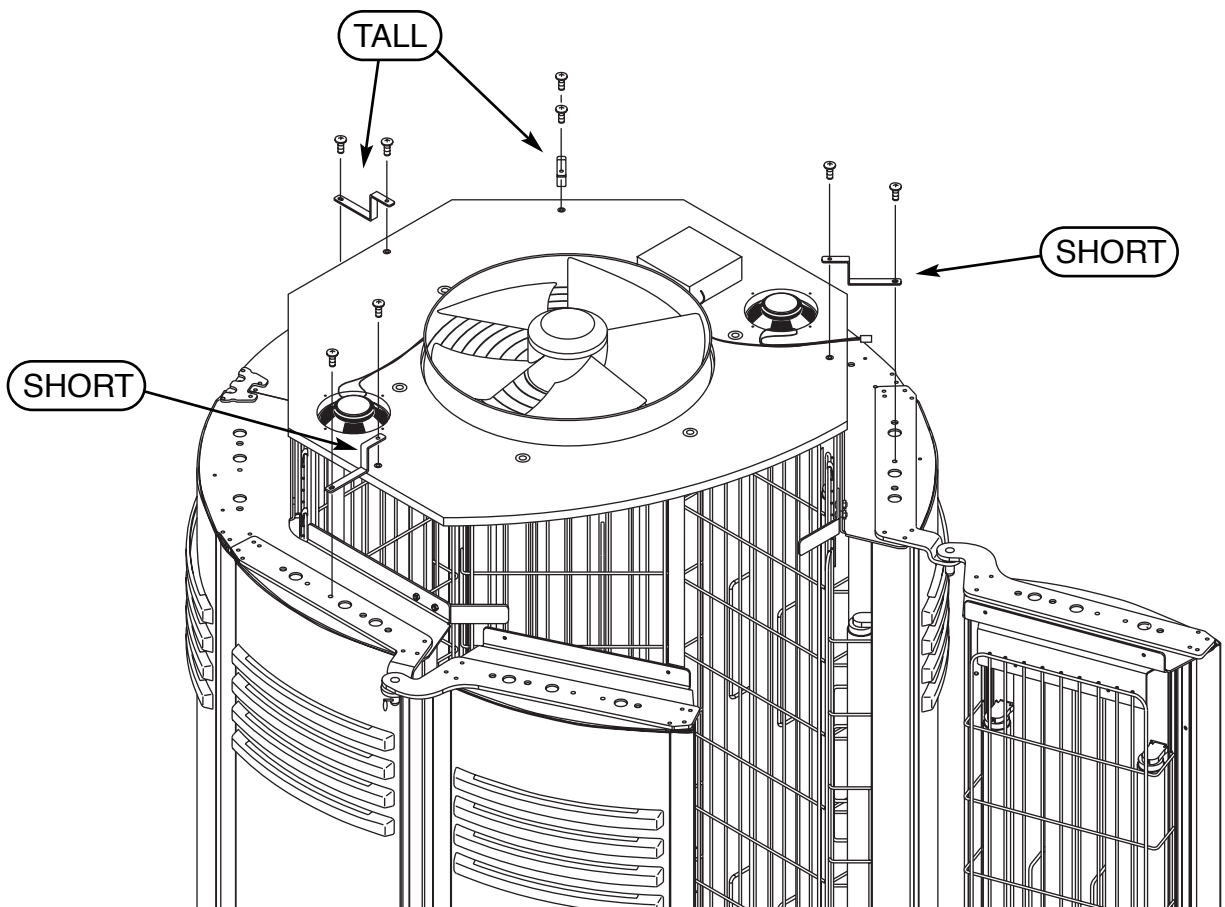
1

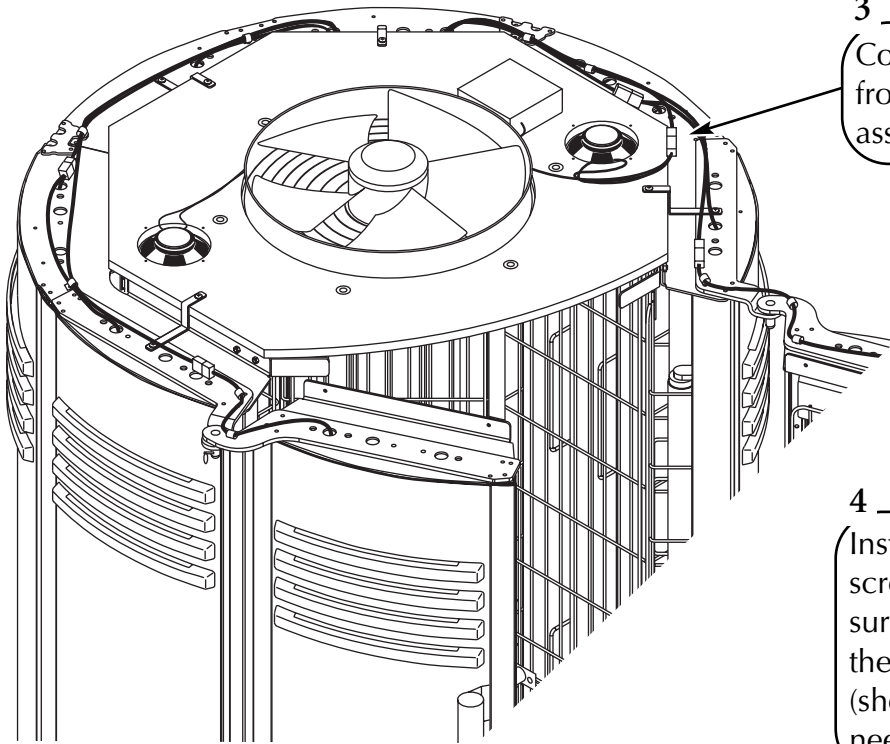
Attach the Timer Bracket to the unit, as shown, using two #8-32 x 1/2" screws. Secure the Timer Box to the bracket with the same type screws, making sure the cables coming out the back of the Timer Box run over the bracket. Connect the cables to the mating cables on top of the booth.



2

Position the new body fan / speaker panel on top of the booth, with the curved edge toward the door opening. There are four "z" brackets included in this kit. Two are slightly shorter than the others (see illustration). Use these, and the #10-32 x 1/2" screws, to secure the panel in place in the front. Use the taller brackets in the back.





3  
Connect the cord disconnected from the old body fan / speaker assembly to the new one.

4  
Install the new dome with four #10 x 1/2" screws and washers, as shown. Make sure the slots in the dome flange engage the two pins on top of the hinge plates (shown at right) when installed. You may need to squeeze the dome slightly.

