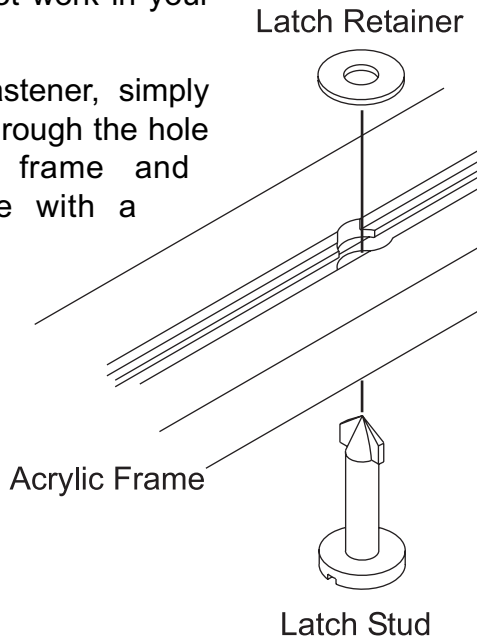


READ ME FIRST

This kit contains two types of quarter-turn fasteners. When replacing the acrylic, use the same type of fastener that was used on your old acrylic. The other type will not work in your sunbed.

To install the fastener, simply insert the stud through the hole in the acrylic frame and secure in place with a retainer.

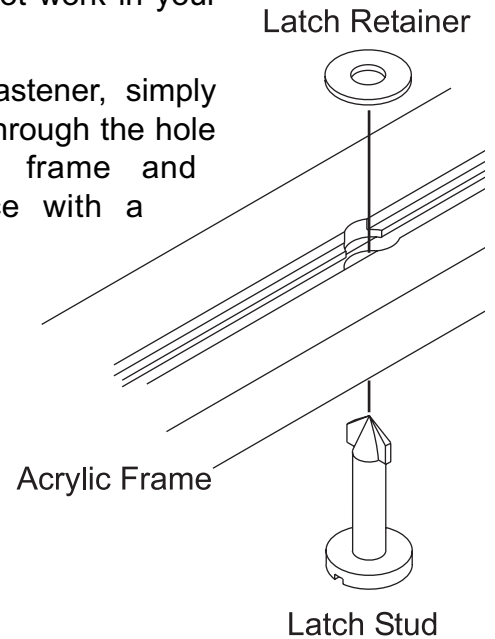


24242-01A

READ ME FIRST

This kit contains two types of quarter-turn fasteners. When replacing the acrylic, use the same type of fastener that was used on your old acrylic. The other type will not work in your sunbed.

To install the fastener, simply insert the stud through the hole in the acrylic frame and secure in place with a retainer.

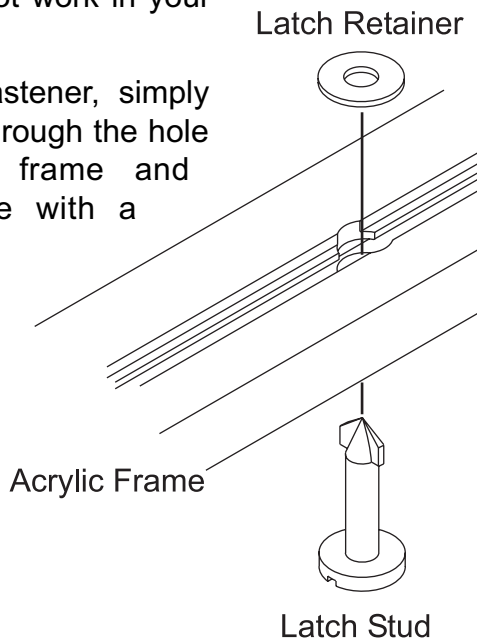


24242-01A

READ ME FIRST

This kit contains two types of quarter-turn fasteners. When replacing the acrylic, use the same type of fastener that was used on your old acrylic. The other type will not work in your sunbed.

To install the fastener, simply insert the stud through the hole in the acrylic frame and secure in place with a retainer.

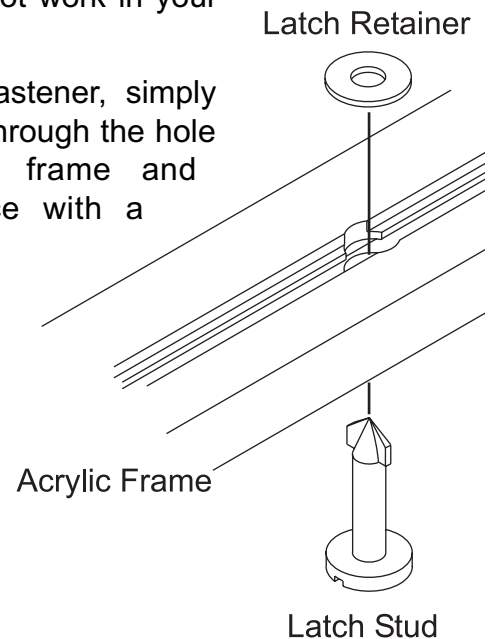


24242-01A

READ ME FIRST

This kit contains two types of quarter-turn fasteners. When replacing the acrylic, use the same type of fastener that was used on your old acrylic. The other type will not work in your sunbed.

To install the fastener, simply insert the stud through the hole in the acrylic frame and secure in place with a retainer.



24242-01A