

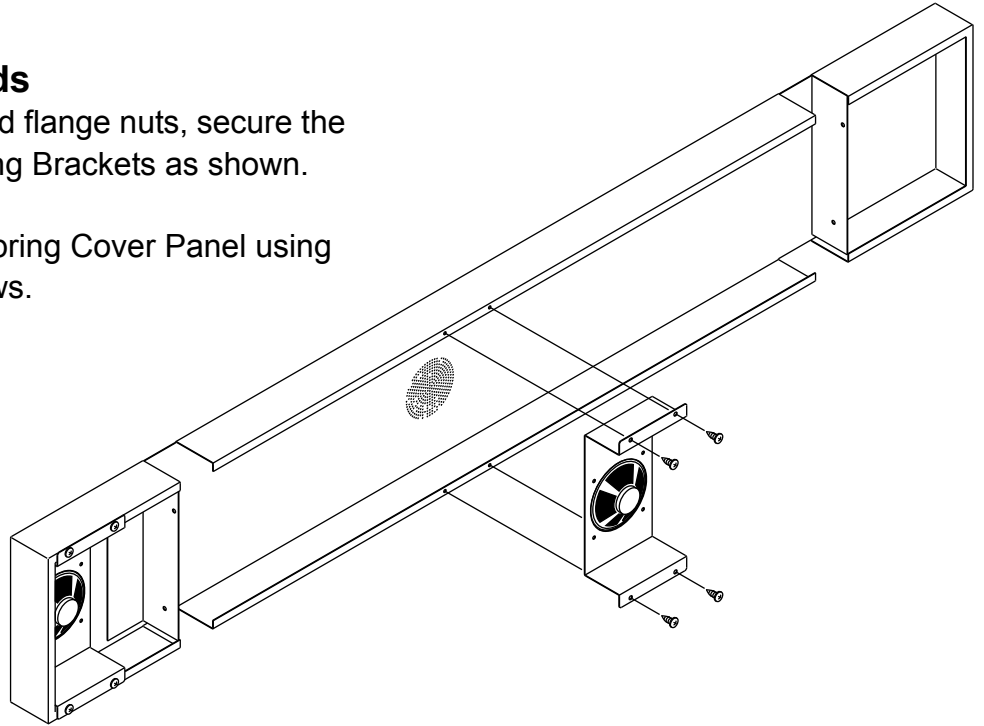
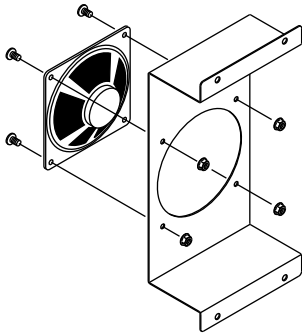
# Speaker Installation Instructions

The Speakers mount on the back of the Gas Spring Cover Panel. Older units have Gas Spring Cover Panels with screw studs around the speaker holes. Newer units require the Speaker Mounting Brackets to mount the Speakers. Determine which panel you have and follow the appropriate instruction below. NOTE: Bench and Canopy deleted for illustration purposes only. You may find it easier to remove the Gas Spring Cover Panel to perform this procedure if adequate room is not available behind the unit.

## Panels without Screw Studs

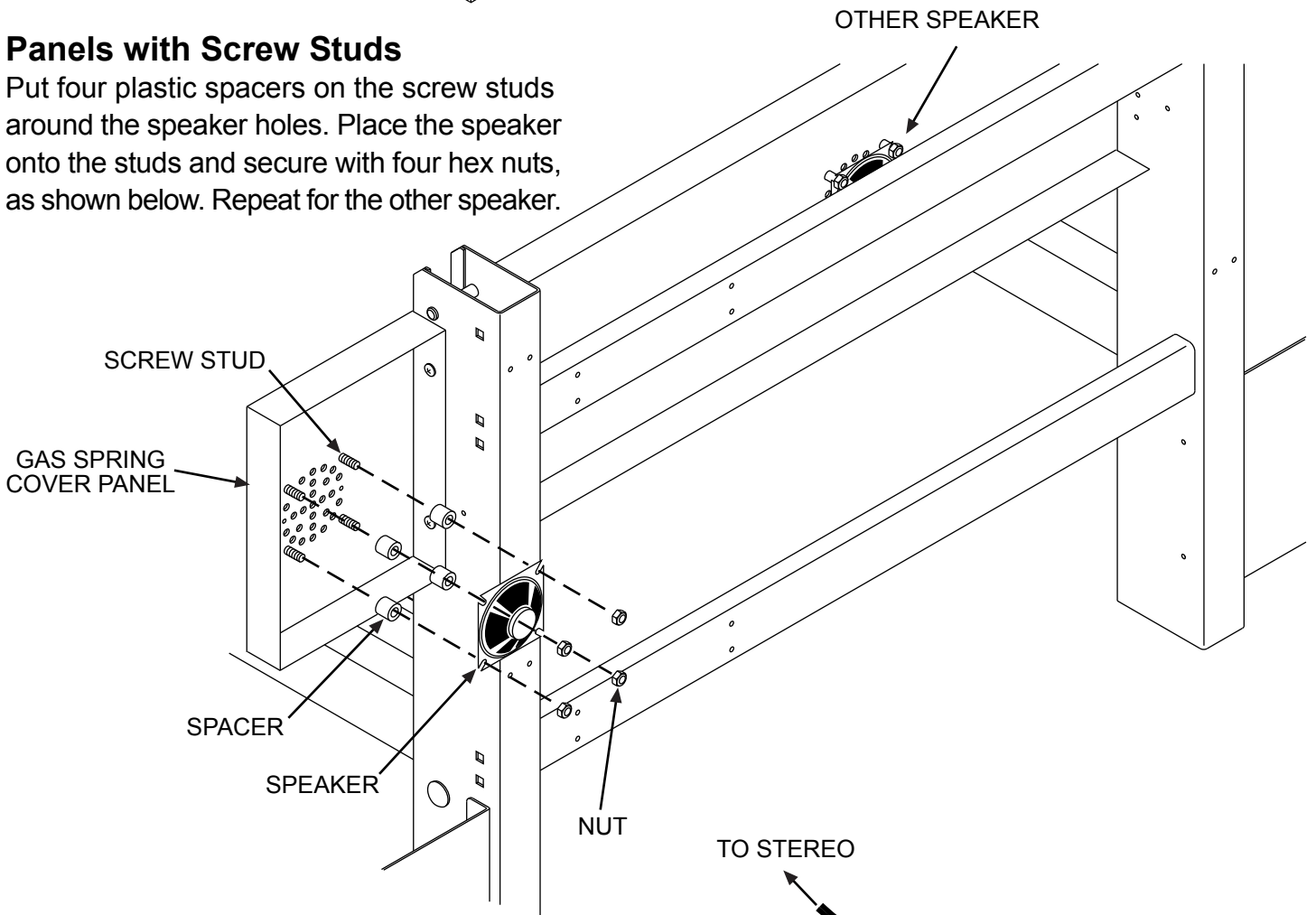
Using the #8-32 x 1/2" screws and flange nuts, secure the Speakers to the Speaker Mounting Brackets as shown.

Mount the brackets to the Gas Spring Cover Panel using the blue-headed #10 x 1/2" screws.



## Panels with Screw Studs

Put four plastic spacers on the screw studs around the speaker holes. Place the speaker onto the studs and secure with four hex nuts, as shown below. Repeat for the other speaker.



The speaker wires provided with this kit are 10' long to allow connection to a stereo in front of the unit. One end of the wires has connectors which slide onto the tabs on the back of the speakers, as shown at right. Connect the wires to a stereo as described in your stereo manual.

