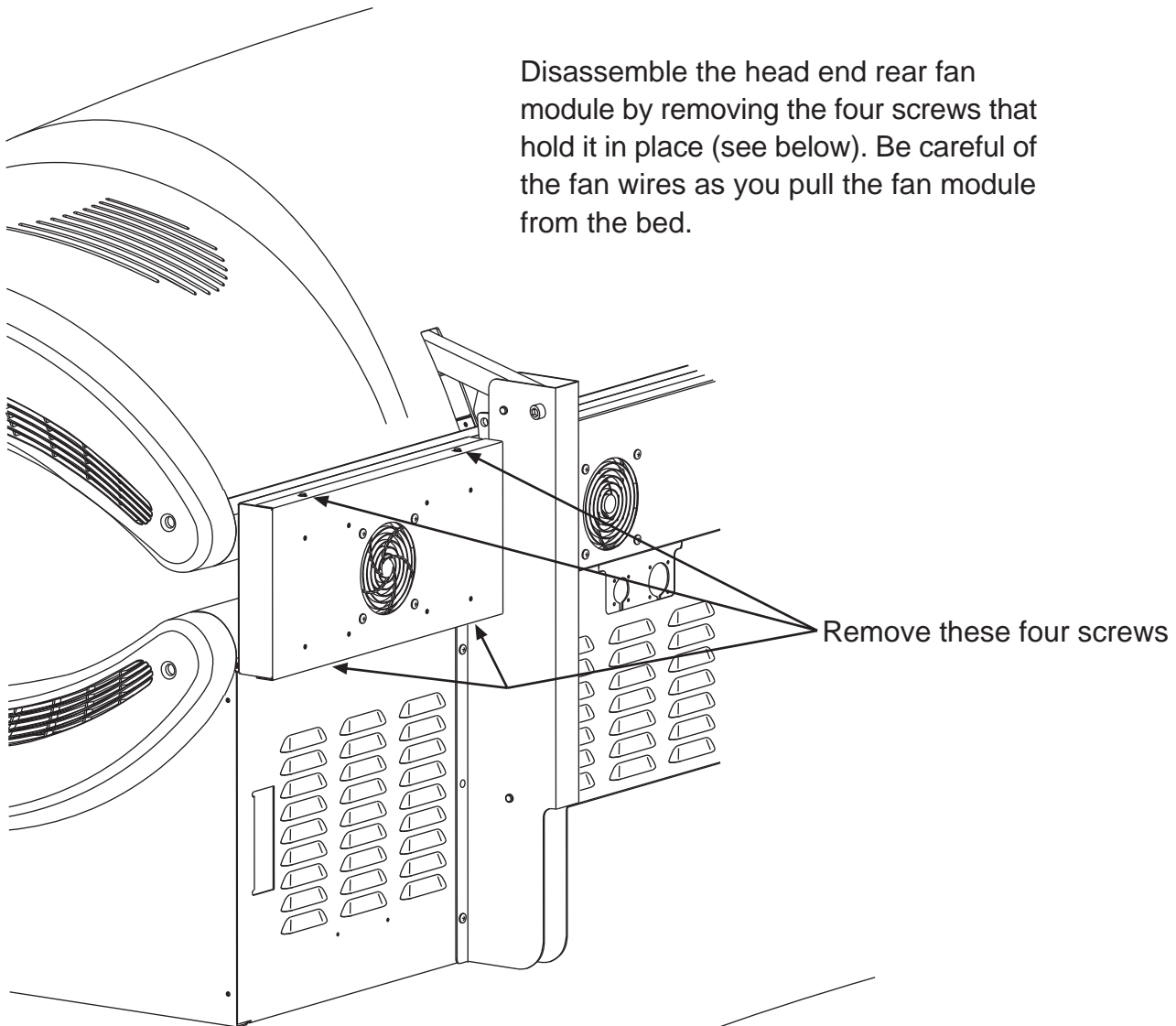


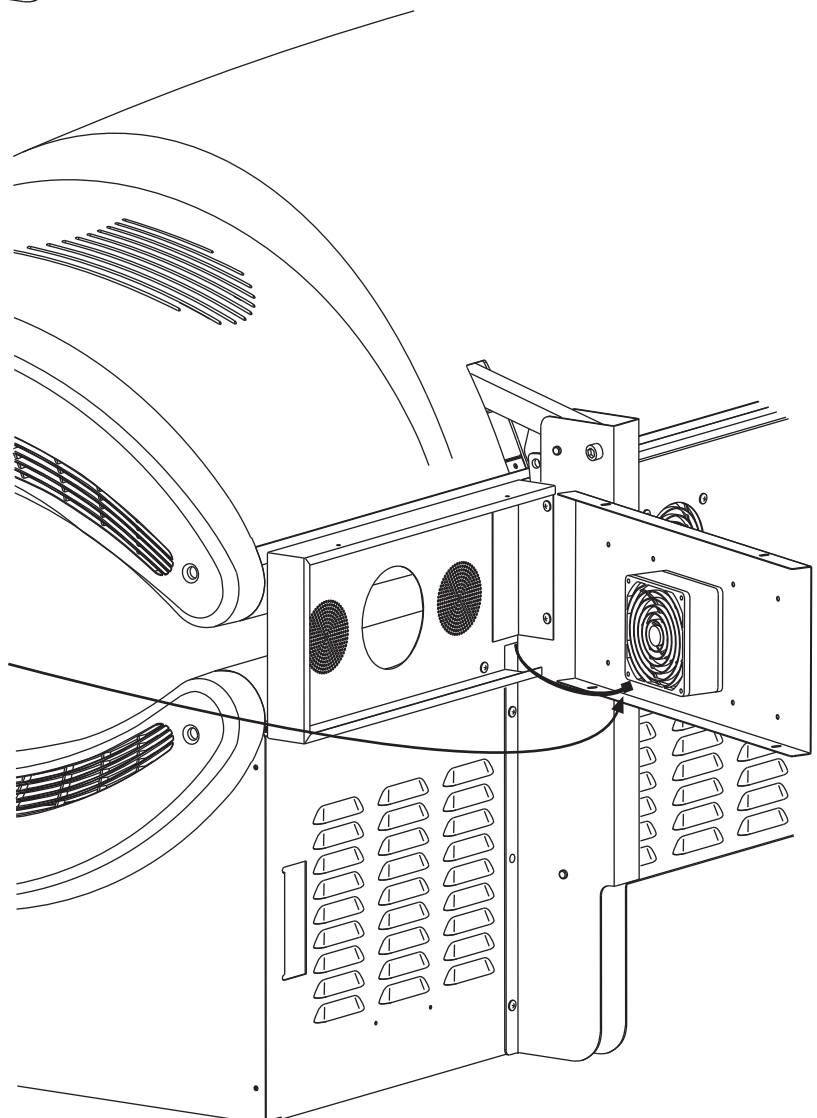
SunStar ZX32 Speaker Installation Instructions

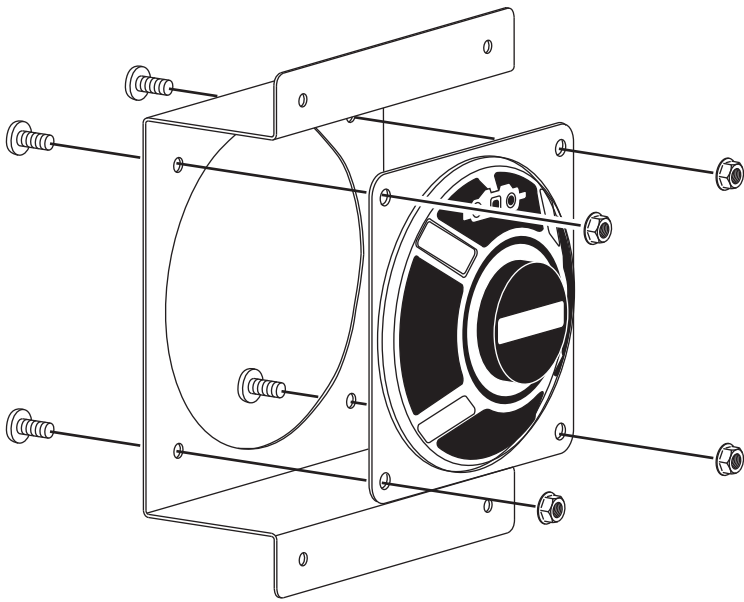
This procedure explains how to install speakers on a 2002, and newer, model unit.

Disassemble the head end rear fan module by removing the four screws that hold it in place (see below). Be careful of the fan wires as you pull the fan module from the bed.



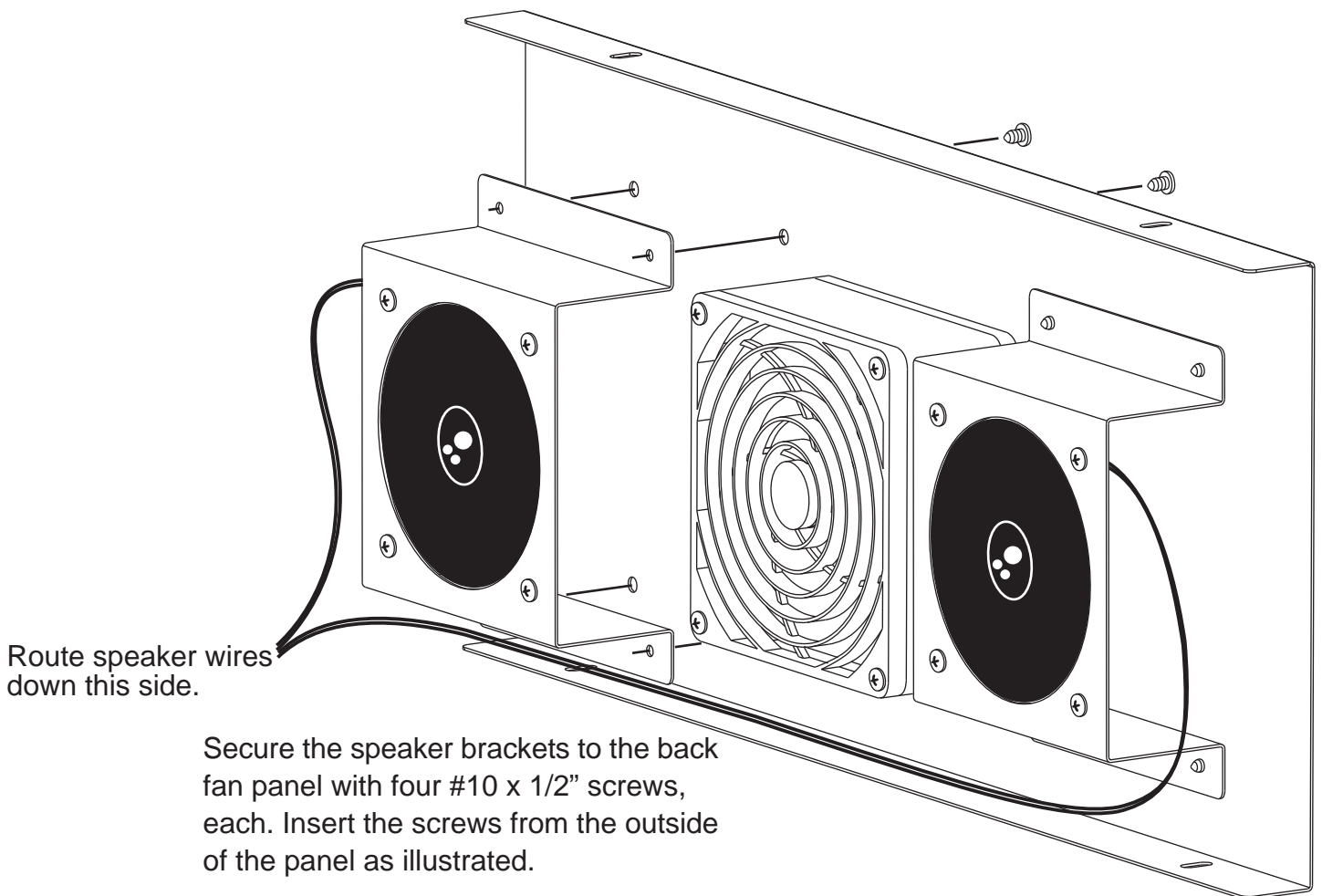
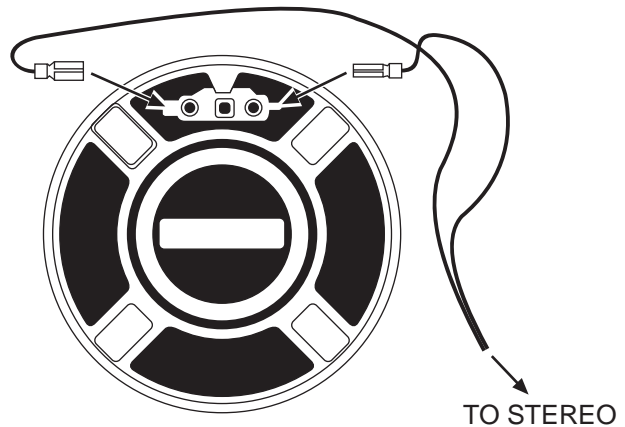
Disconnect the fan wire from the fan. On the end of the wire is a connector which simply plugs onto the fan terminals.





Attach a speaker to the inside of the speaker bracket, as shown at left, using four #8-32 x 1/2" screws and nuts. Do the same for the other speaker.

The speaker wires provided with this kit are 10' long to allow connection to a stereo in front of the unit. One end of the wires has connectors which slide onto the tabs on the back of the speakers, as shown at right. Connect the wires to a stereo as described in your stereo manual.



Route speaker wires down this side.

Secure the speaker brackets to the back fan panel with four #10 x 1/2" screws, each. Insert the screws from the outside of the panel as illustrated.

After completing the speaker assembly, reattach the fan module to the sunbed by reversing the directions on the other side of this sheet. Remember to plug in the fan. Route the speaker wires down through the opening between the fan/gas spring cover panel and the stand leg (see above).