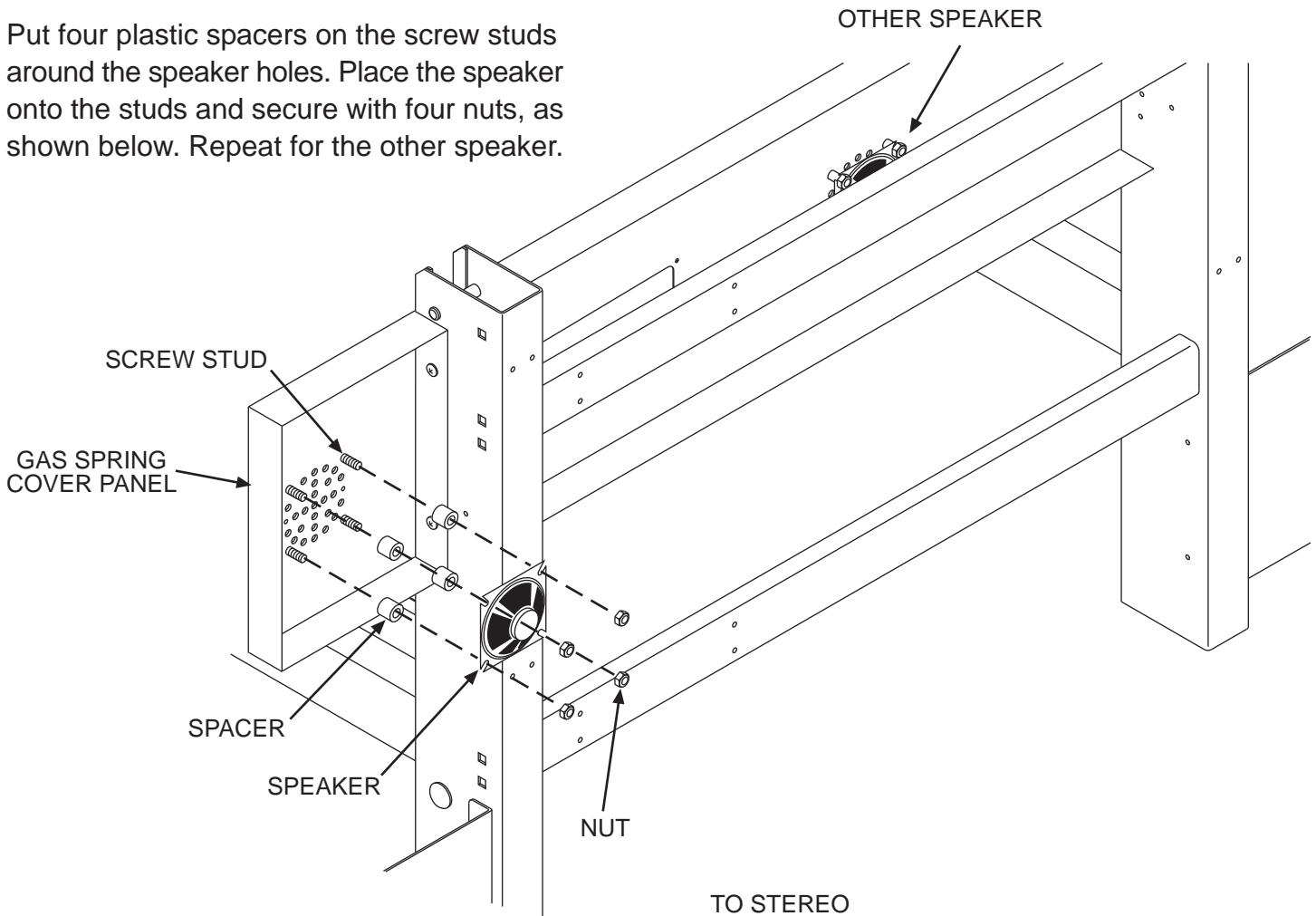


SunStar® ZX30/32 Speaker Installation Instructions

This procedure explains how to install speakers on a 2001, and newer, model unit. If you do not have speaker holes (as shown) on your Gas Spring Cover Panel you will need a new panel and Stereo Hole Cover Plate. Contact your place of purchase to obtain parts if needed.

NOTE: Bench and Canopy deleted for illustration purposes only. You may find it easier to remove the Gas Spring Cover Panel to perform this procedure if adequate room is not available behind the unit.

Put four plastic spacers on the screw studs around the speaker holes. Place the speaker onto the studs and secure with four nuts, as shown below. Repeat for the other speaker.



The speaker wires provided with this kit are 10' long to allow connection to a stereo in front of the unit. One end of the wires has connectors which slide onto the tabs on the back of the speakers, as shown at right. Connect the wires to a stereo as described in your stereo manual.

