

IMPORTANT

SunStar® ZX30/32 Stereo Installation Instructions

(Disregard the INSTALLATION MANUAL supplied with the stereo.)

Follow these instructions carefully. Check the serial number label on your sunbed. The model name designates a design series, by a letter, followed by the bed model (i.e. K-ZX32-3FH). If the first letter is an H or J you will need to use the hole drilling template included with this instruction sheet. If it is K or above your sunbed already includes the needed holes and you can disregard the hole drilling template and all instructions referring to it. The bench and canopy have been deleted for illustration purposes only. You do not need to disassemble your sunbed to perform this installation.

2

HOLE DRILLING TEMPLATE 1

Find the template labelled "Stand Spacer Bracket". Carefully cut it out on the dashed line and apply it to the back of the stand leg with tape. Drill the four holes with a 5/32" drill bit where shown. Use the same template for the other stand leg. Remove the template.

1

Pull the sunbed away from the back wall, enough to work behind it. Remove the Gas Spring Cover Panel and set aside. If your Gas Spring Cover Panel does not contain stereo and speaker holes you will need to replace it with a new panel.

3

HOLE DRILLING TEMPLATE 2

Find the template labelled "Power Supply Bracket". Carefully cut it out on the dashed line and apply it to the back of the cross bar with tape. Drill the four holes with a 5/32" drill bit where shown. Remove the template.

4

Find the three brackets shown in the kit (two Stand Spacer Brackets and one Power Supply Bracket). Install them with unpainted #10 x 1/2" screws.

5

HOLE DRILLING TEMPLATE 3

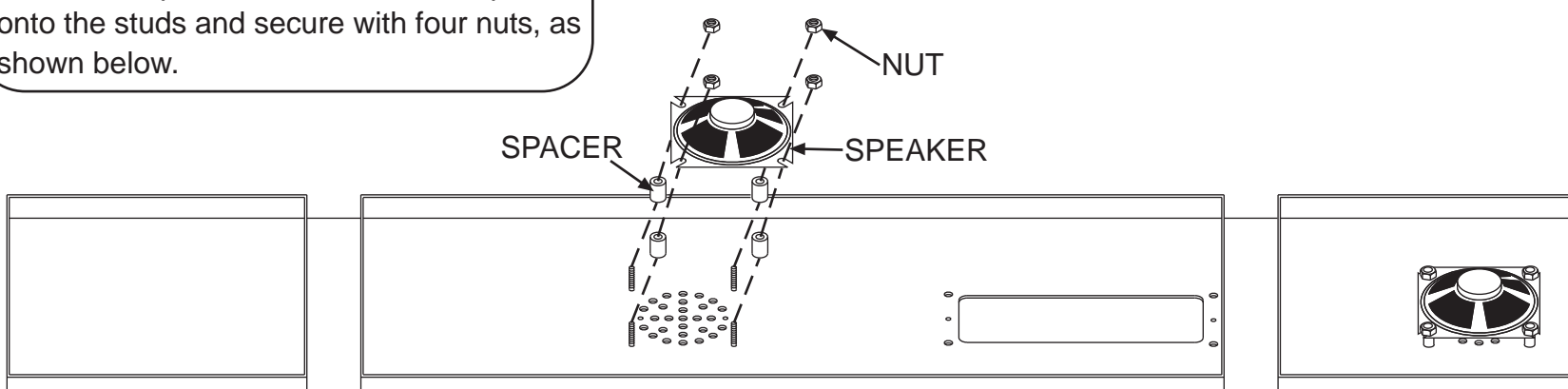
Find the template labelled "Stereo Support Bracket". Carefully cut it out on the dashed line and apply it to the inside of the right stand leg with tape. Drill the three holes with a 5/32" drill bit where shown. Remove the template.

6

Install the Stereo Support Bracket as shown with (3) unpainted #10 x 1/2" screws.

7

Place the Gas Spring Cover Panel face down. Put four plastic spacers on the screw studs around the speaker holes. Place the speaker onto the studs and secure with four nuts, as shown below.

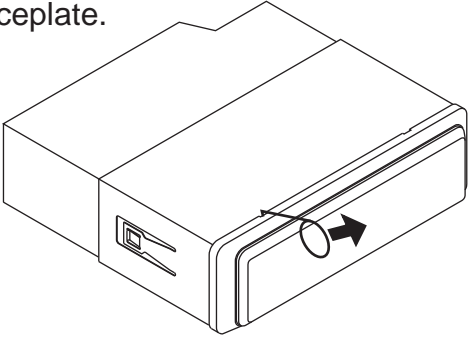


(Over please)

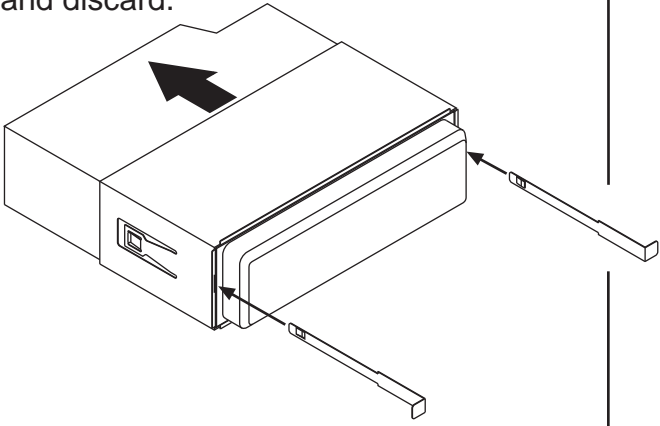
24148-03A

8**A. REMOVE THE FACEPLATE**

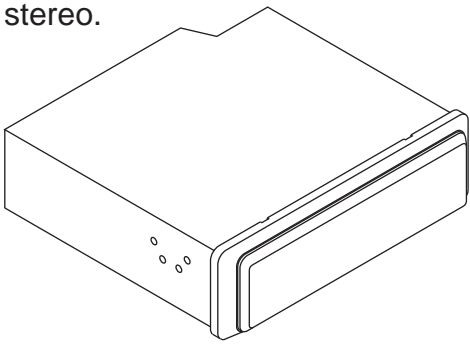
Using the small wire tool, carefully pull the face plate off. Simply hook one of the notches and pull up and out, as shown. Do the same at all four notches to release the faceplate.

**B. REMOVE THE MOUNTING SLEEVE**

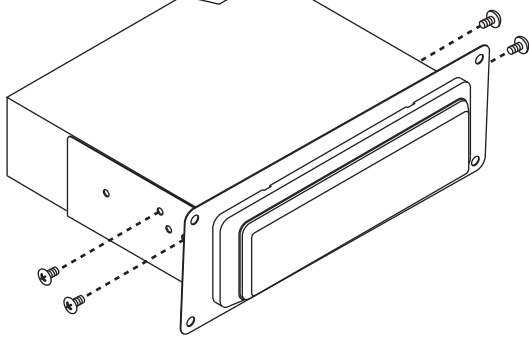
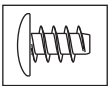
Slide the two pullers straight into the slots on both sides of the stereo until they click. Pull the mounting sleeve off of the stereo and discard.

**C. REPLACE THE FACEPLATE**

Snap the faceplate back onto the front of the stereo.

**D. ATTACH THE MOUNTING BRACKET**

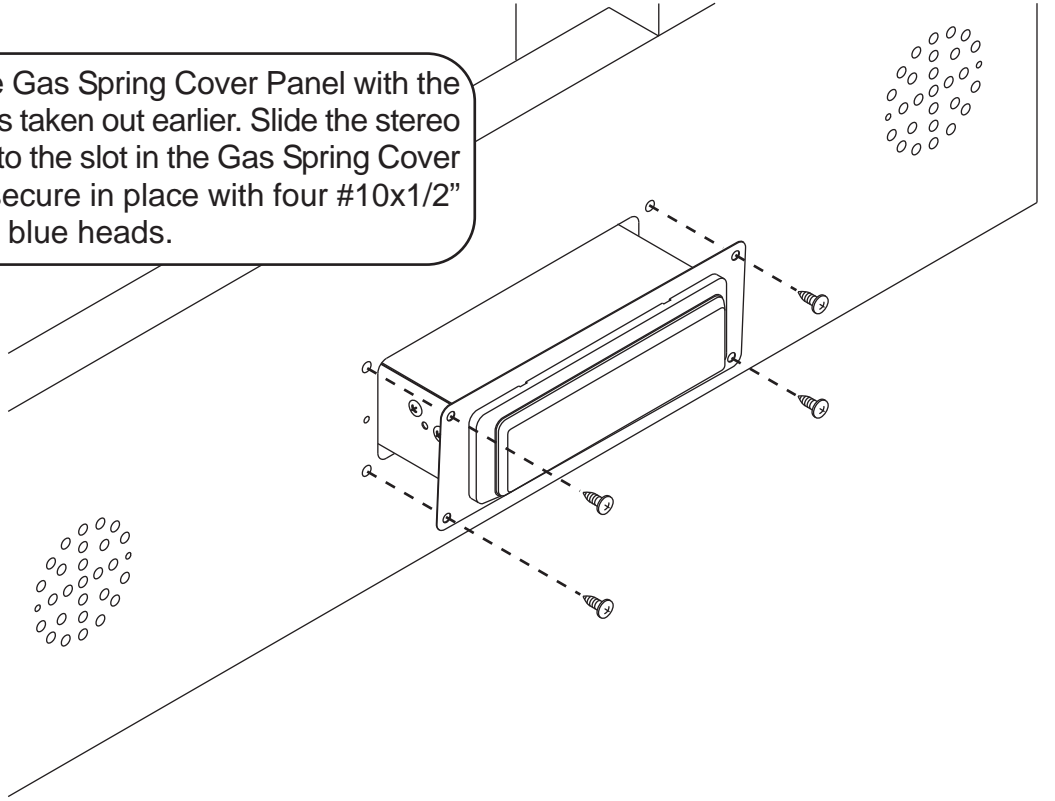
Slide the stereo into the mounting bracket as shown. Secure it in place with four screws supplied with the stereo. Use the ones with rounded heads as shown in the illustration below.

**11**

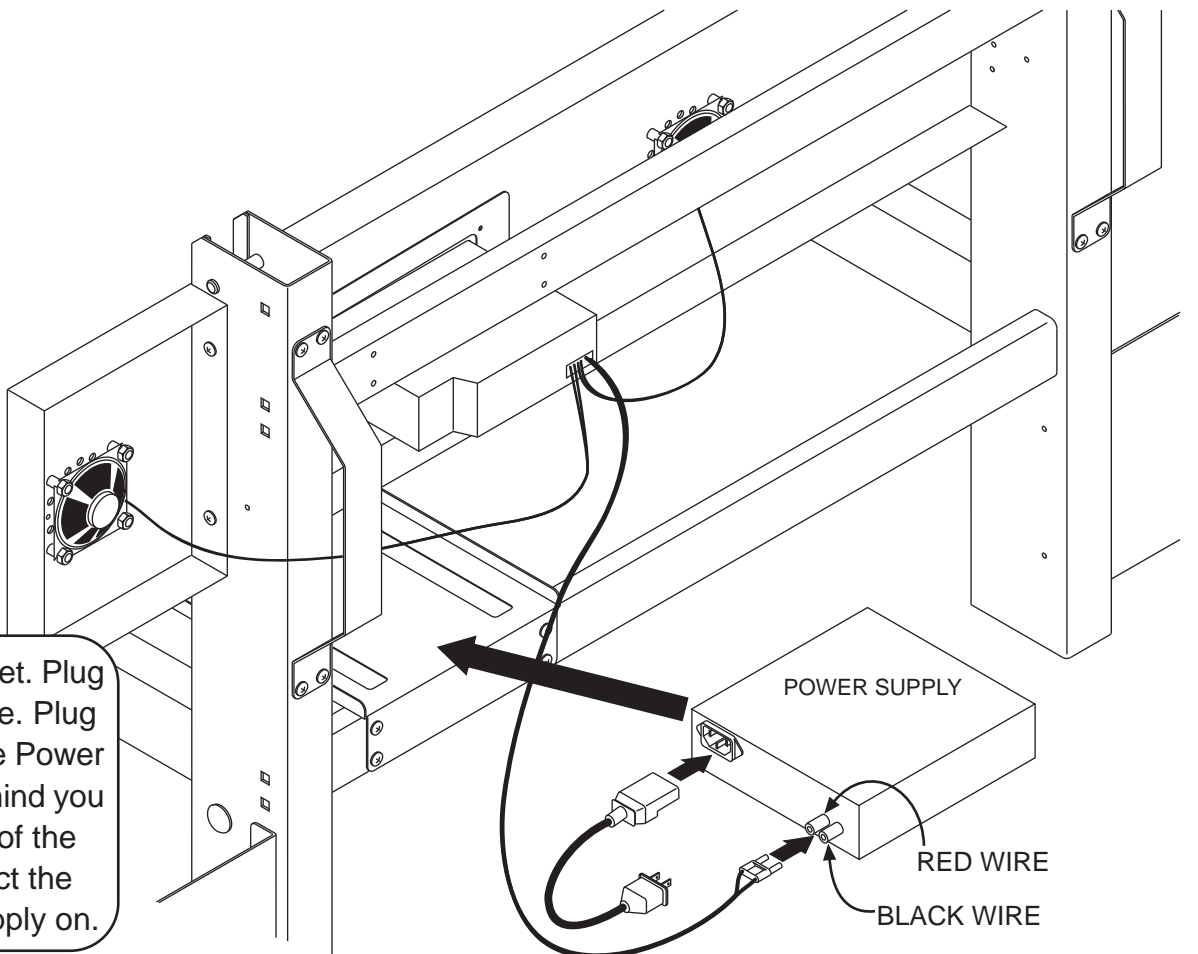
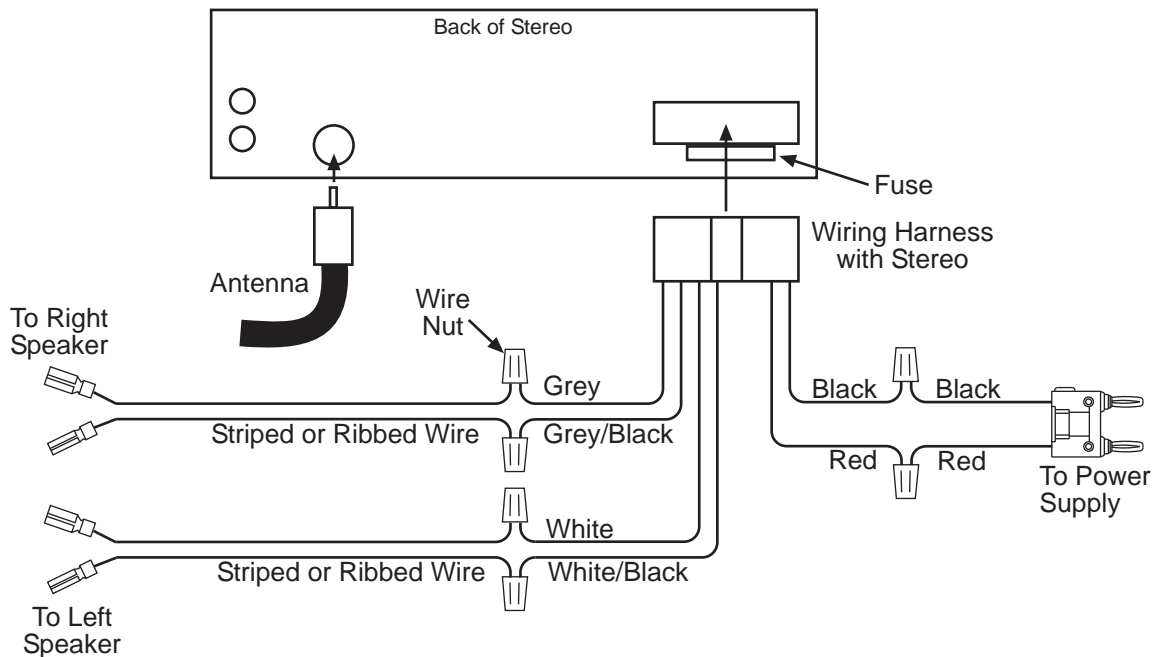
Place the Power Supply on the Power Supply Bracket. Plug its power cord into it and into a 110V wall receptacle. Plug the two-prong wire harness, from the stereo, into the Power Supply. A label has been supplied with this kit to remind you how to connect the two-prong plug. Apply it on top of the Power Supply, directly over the connection. Connect the speaker wires to the speakers. Turn the Power Supply on.

9

Reinstall the Gas Spring Cover Panel with the same screws taken out earlier. Slide the stereo assembly into the slot in the Gas Spring Cover Panel and secure in place with four #10x1/2" screws with blue heads.

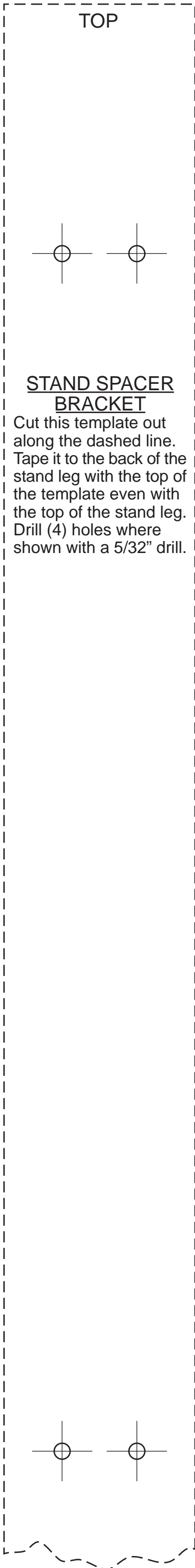
**10****CONNECT THE WIRING**

Included in the Stereo Installation Kit are three wire harnesses, two for the speakers and one for the Stereo Power Supply. You will also use the wiring harness supplied with the stereo. Plug the stereo wiring harness into the back of the stereo. Connect the other three wire harnesses to it as described in the illustration below. Connect the wires with wire nuts. There will be (6) wires on the stereo wiring harness not used which should be cut off close to the connector. Plug in the antenna, included with the Stereo Installation Kit.



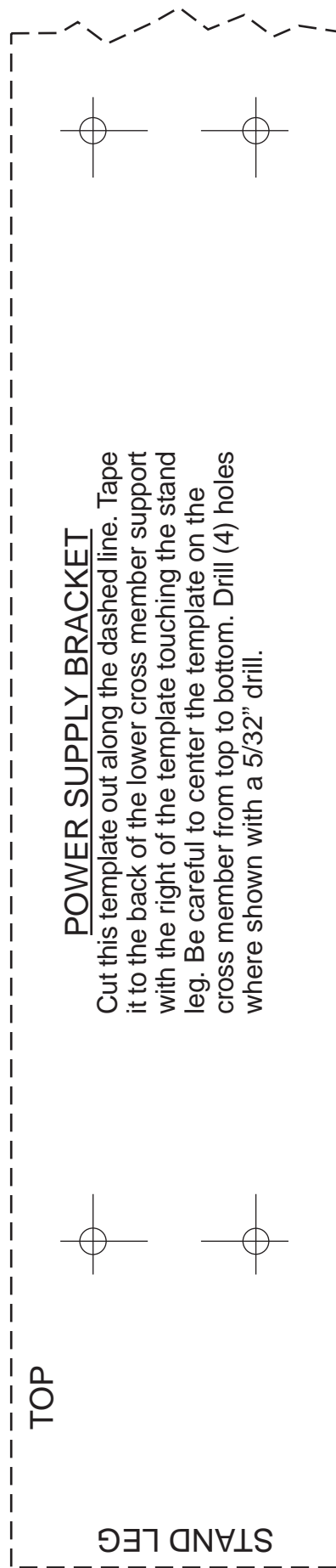
HOLE DRILLING TEMPLATES

For Optional Stereo Installation Kit



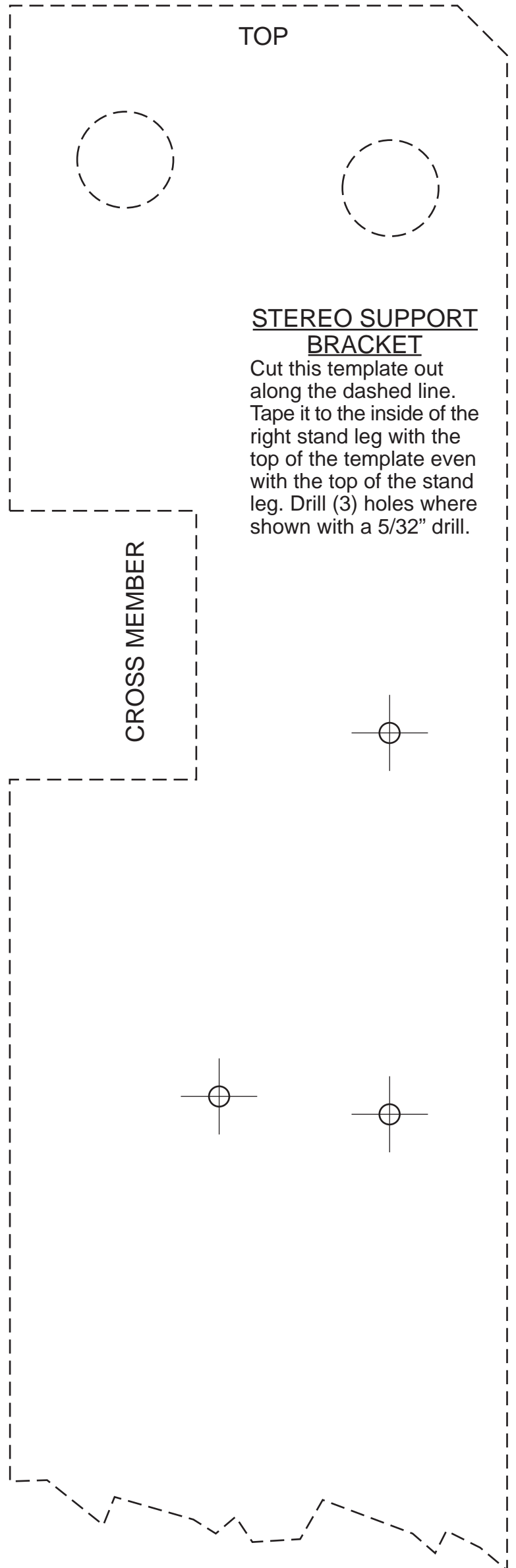
STAND SPACER BRACKET

Cut this template out along the dashed line. Tape it to the back of the stand leg with the top of the template even with the top of the stand leg. Drill (4) holes where shown with a 5/32" drill.



POWER SUPPLY BRACKET

Cut this template out along the dashed line. Tape it to the back of the lower cross member support with the right of the template touching the stand leg. Be careful to center the template on the cross member from top to bottom. Drill (4) holes where shown with a 5/32" drill.



STEREO SUPPORT BRACKET

Cut this template out along the dashed line. Tape it to the inside of the right stand leg with the top of the template even with the top of the stand leg. Drill (3) holes where shown with a 5/32" drill.