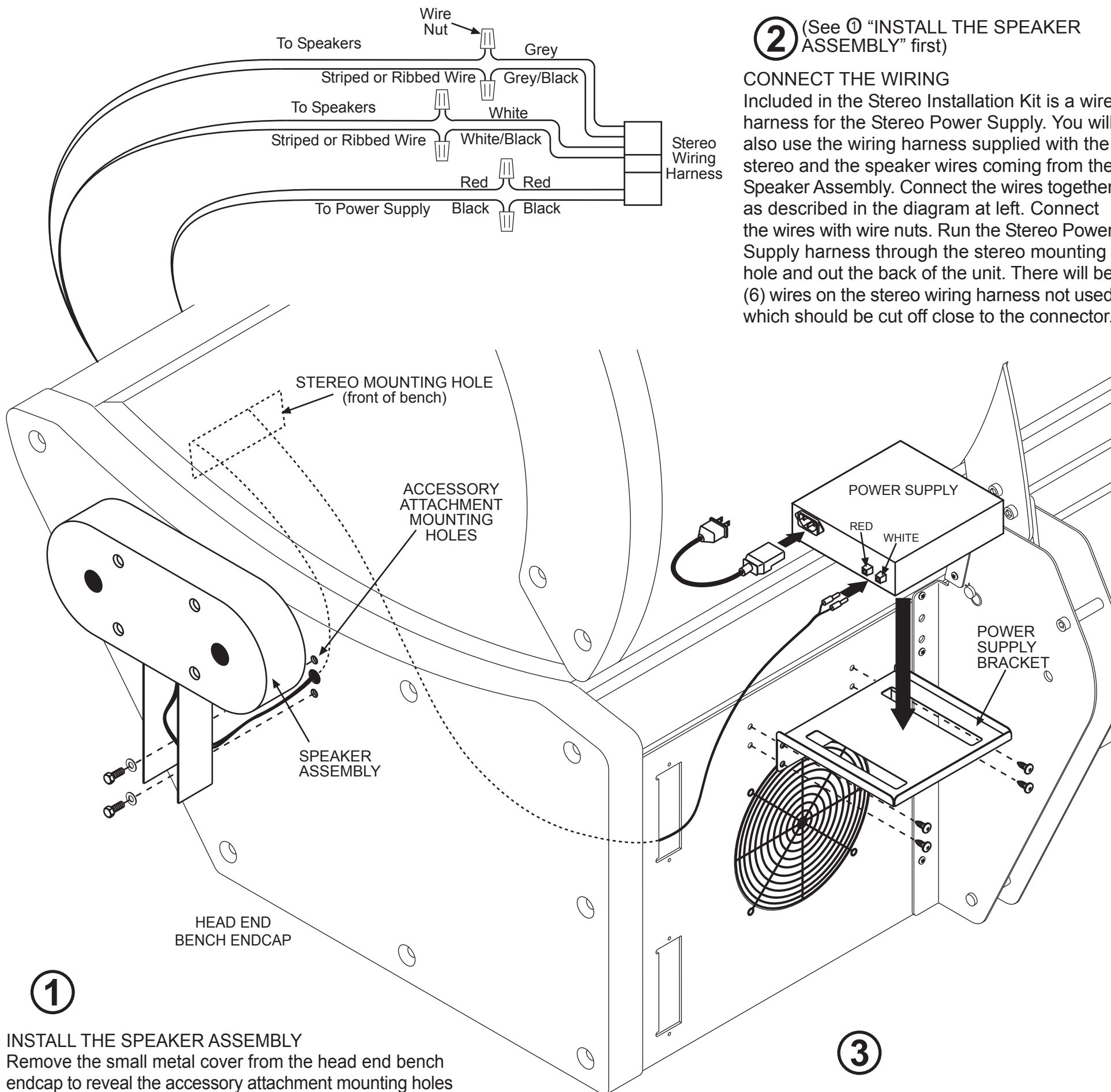


Solaris® 36/42 Stereo Installation Instructions

(Disregard the INSTALLATION MANUAL supplied with the stereo.)

IMPORTANT NOTICE: This procedure is for a 2001, and newer, model unit. If the head end bench endcap does not have accessory attachment mounting holes and the head end bench front panel does not have a stereo mounting hole (see illustration below) contact your place of purchase for the necessary upgrade parts. You will also need to drill four 5/32" holes in the rear of the unit to mount the power supply (use the Hole Drilling Guide on the back of this sheet).



1

INSTALL THE SPEAKER ASSEMBLY

Remove the small metal cover from the head end bench endcap to reveal the accessory attachment mounting holes (as shown). Also remove the stereo mounting hole cover from the front of the bench. You may discard the covers.

Use the two 5/16"-18x3/4" hex head bolts and 5/16" washers to mount the Speaker Assembly to the head end endcap as shown. Feed the speaker wires through the center hole in the speaker mounting bracket, through the endcap and out the stereo mounting hole in the front of the bench.

2 (See **1** "INSTALL THE SPEAKER ASSEMBLY" first)

CONNECT THE WIRING

Included in the Stereo Installation Kit is a wire harness for the Stereo Power Supply. You will also use the wiring harness supplied with the stereo and the speaker wires coming from the Speaker Assembly. Connect the wires together as described in the diagram at left. Connect the wires with wire nuts. Run the Stereo Power Supply harness through the stereo mounting hole and out the back of the unit. There will be (6) wires on the stereo wiring harness not used which should be cut off close to the connector.

3

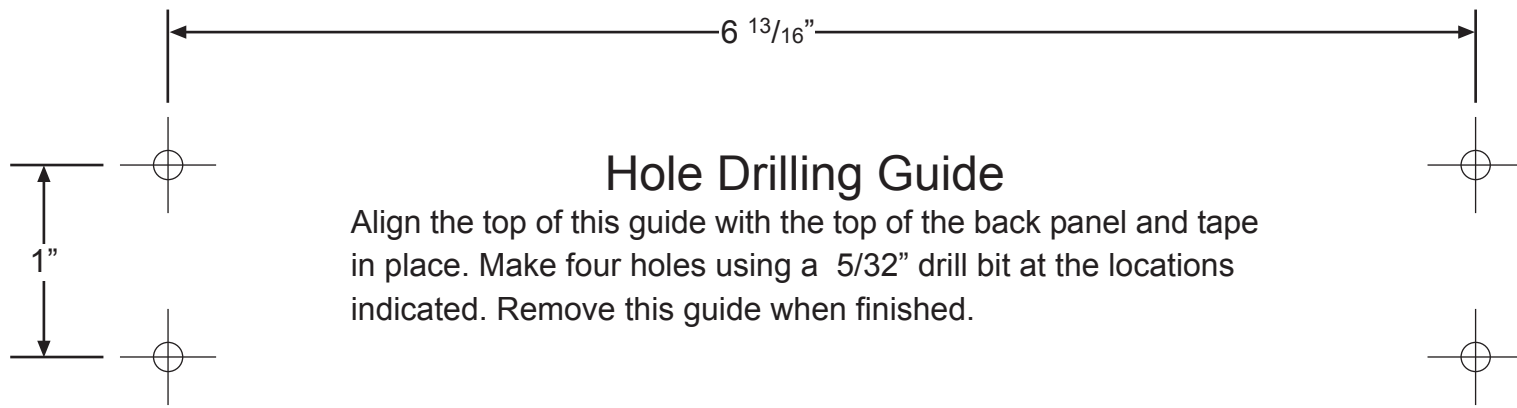
INSTALL THE POWER SUPPLY

If you have a sunbed made before 2001, use the Hole Drilling Guide on the back of this sheet to drill the holes for mounting the Power Supply Bracket.

On the back of the unit, attach the Power Supply Bracket with the four unpainted #10x1/2" screws. Place the Power Supply on it and plug the color-coded double-plug harness, from the stereo, into the Power Supply as shown. Plug the Power Supply's power cord into it and then into a 110V wall receptacle.

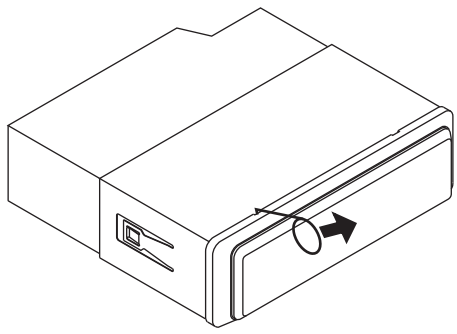
(Over please)

TOP OF GUIDE



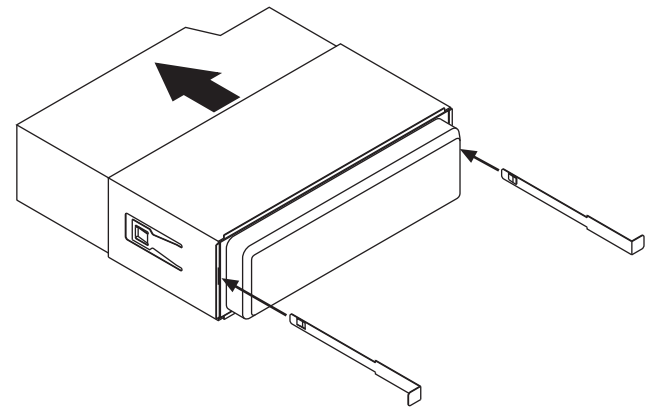
CUT ALONG DOTTED LINE

4 PREPARE THE STEREO



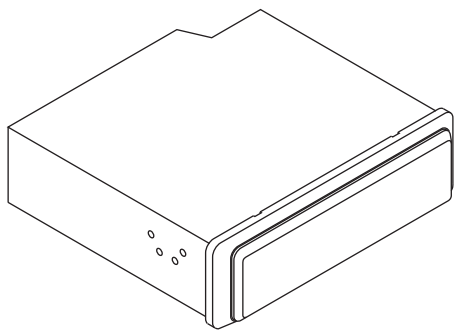
A. REMOVE THE FACEPLATE

Using the small wire tool (included with the stereo), carefully pull the face plate off. Simply hook one of the notches and pull up and out, as shown. Do the same at all four notches to release the faceplate.



B. REMOVE THE MOUNTING SLEEVE

Slide the two pullers (included with the stereo) straight into the slots on both sides of the stereo until they click. Pull the mounting sleeve off of the stereo and discard.

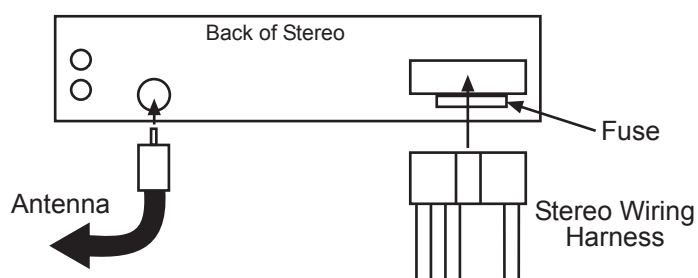
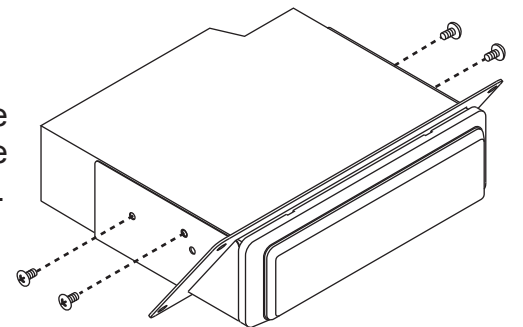
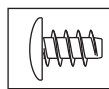


C. REPLACE THE FACEPLATE

Snap the faceplate back onto the front of the stereo.

D. ATTACH THE MOUNTING BRACKET

Slide the stereo into the mounting bracket as shown. Secure it in place with four screws supplied with the stereo. Use the ones with rounded heads as shown in the illustration below.



5

CONNECT THE STEREO

Plug the stereo wiring harness into the back of the stereo. Plug in the antenna. The antenna may be run through the bench and out the back of the unit.

6

INSTALL THE STEREO

Push the wires through the stereo mounting hole in the front of the bench. Slide the stereo assembly into the stereo mounting hole and secure in place with four #10x1/2" screws with painted heads, found in the Stereo Installation Kit. Turn on the power switch on the Power Supply.

