

IMPORTANT - READ ME FIRST

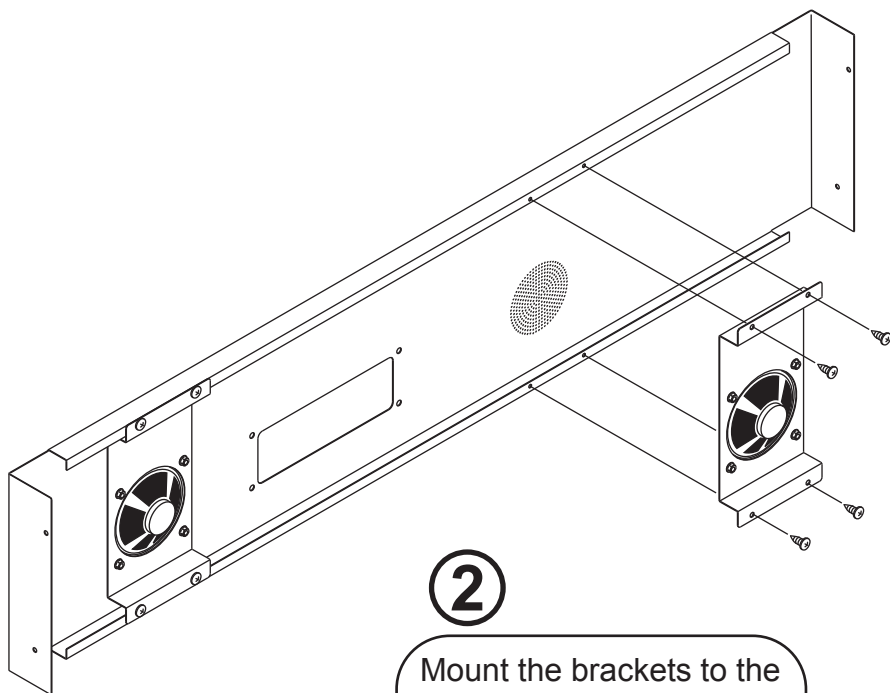
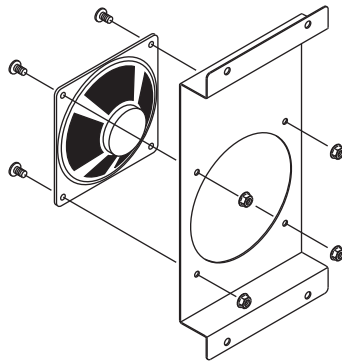
Solar System 32 Stereo Installation Instructions

(Disregard the INSTALLATION MANUAL supplied with the stereo.)

Follow these instructions carefully.

1

Using the #8-32 x 1/2" screws and #8-32 lock nuts, secure the Speakers to the Speaker Mounting Brackets as shown.

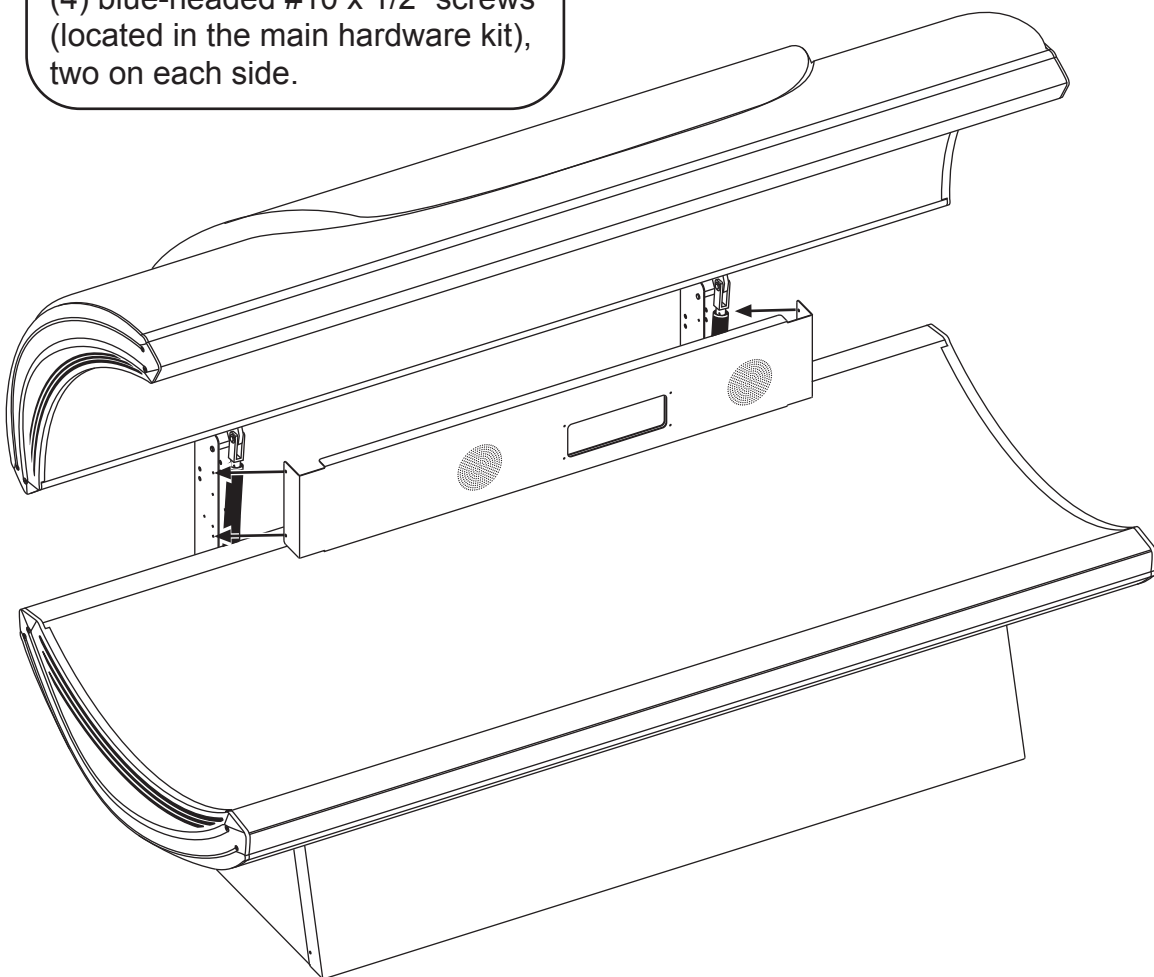


2

Mount the brackets to the Gas Spring Cover Panel using (4) #10 x 1/2" screws each.

3

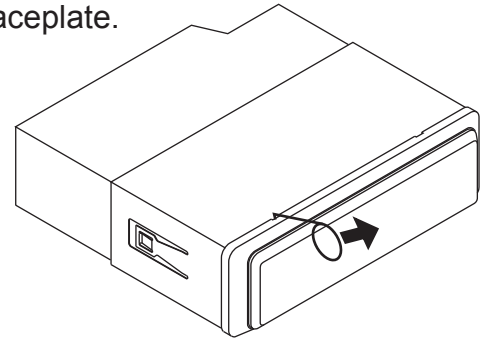
Mount the Gas Spring Cover Panel assembly to the Stand Uprights with (4) blue-headed #10 x 1/2" screws (located in the main hardware kit), two on each side.



4

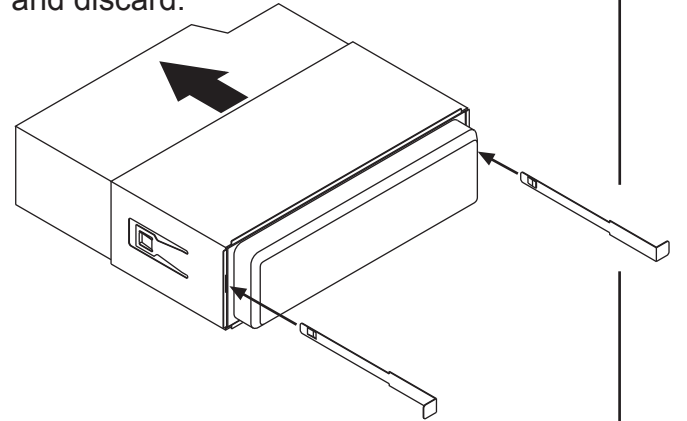
A. REMOVE THE FACEPLATE

Using the small wire tool, carefully pull the face plate off. Simply hook one of the notches and pull up and out, as shown. Do the same at all four notches to release the faceplate.



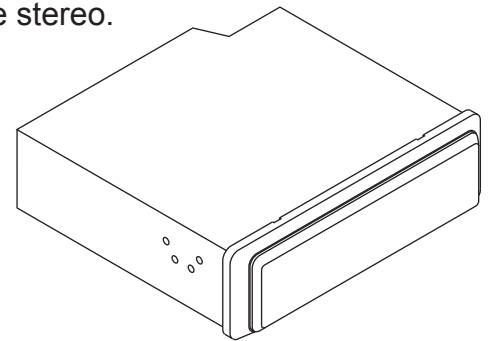
B. REMOVE THE MOUNTING SLEEVE

Slide the two pullers straight into the slots on both sides of the stereo until they click. Pull the mounting sleeve off of the stereo and discard.



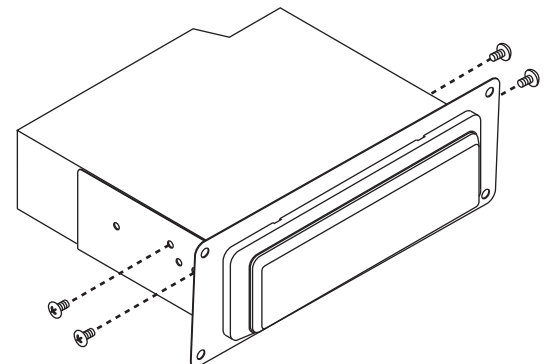
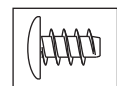
C. REPLACE THE FACEPLATE

Snap the faceplate back onto the front of the stereo.



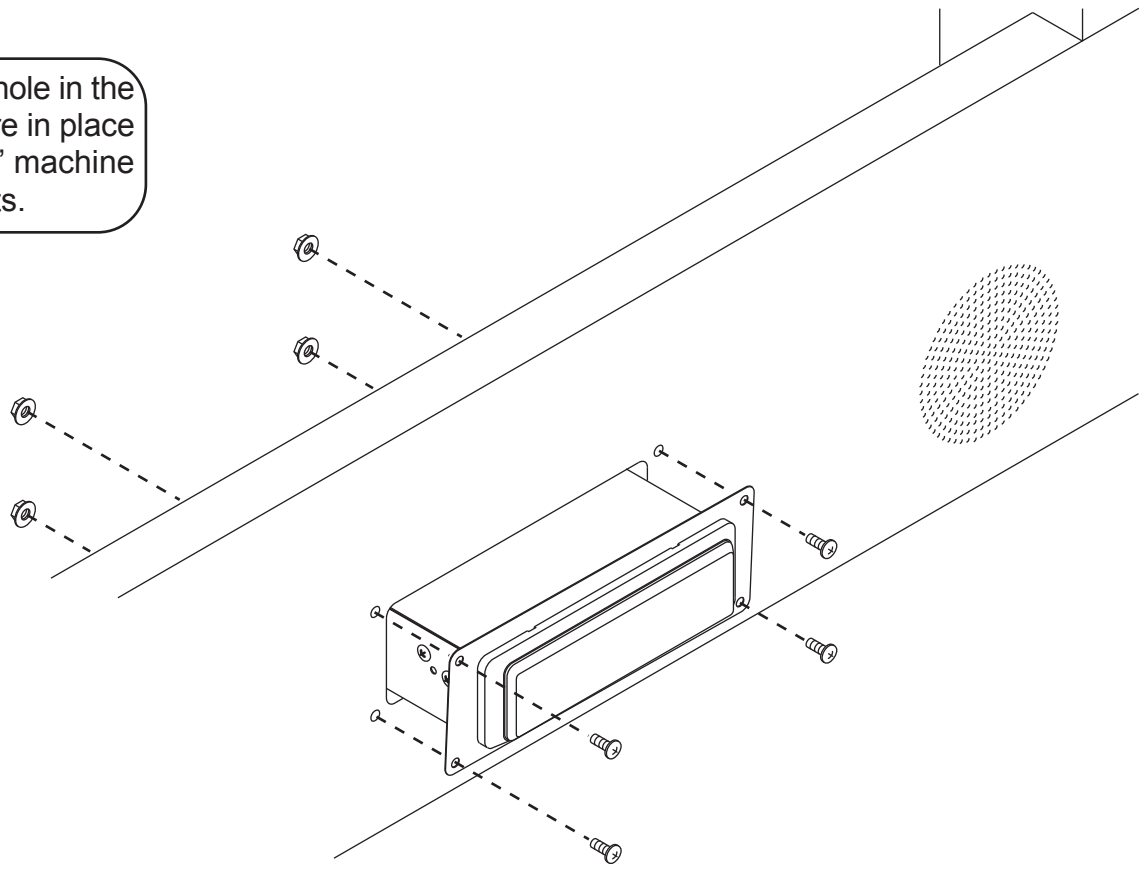
D. ATTACH THE MOUNTING BRACKET

Slide the stereo into the mounting bracket as shown. Secure it in place with four screws supplied with the stereo. Use the ones with rounded heads as shown in the illustration below.



5

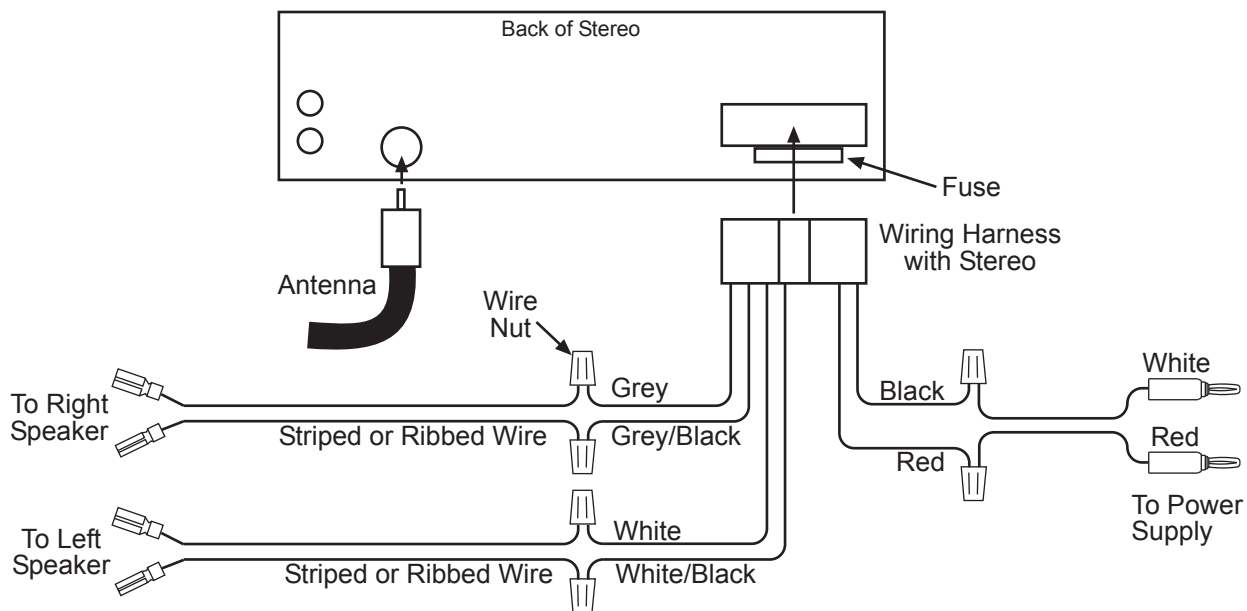
Slide the stereo assembly into the hole in the Gas Spring Cover Panel and secure in place with four blue-headed #10-32x1/2" machine screws and four #10-32 flange nuts.



6

CONNECT THE WIRING

Included in the Stereo Installation Kit are three wire harnesses, two for the speakers and one for the Stereo Power Supply. You will also use the wiring harness supplied with the stereo. Plug the stereo wiring harness into the back of the stereo. Connect the other three wire harnesses to it as described in the illustration below. Connect the wires with wire nuts. There will be (6) wires on the stereo wiring harness not used which should be cut off close to the connector. Plug in the antenna, included with the Stereo Installation Kit.



7

Place the Power Supply on the Power Supply Bracket. Plug its power cord into it and into a 110V wall receptacle. Plug the color-coded double-plug harness, from the stereo, into the Power Supply. Connect the speaker wires to the speakers. Turn the Power Supply on.

