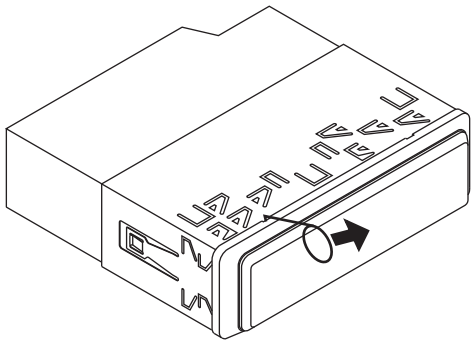


IMPORTANT

Booth Stereo Installation Instructions

(Disregard the INSTALLATION MANUAL supplied with the stereo.)

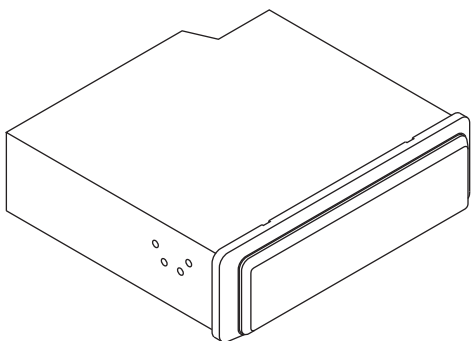
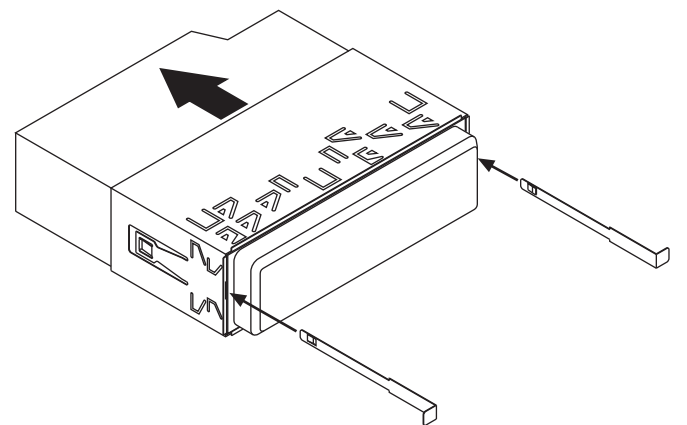


REMOVE THE FACEPLATE

Using the small wire tool, carefully pull the face plate off. Simply hook one of the notches and pull up and out, as shown. Do the same at all four notches to release the faceplate.

REMOVE THE MOUNTING SLEEVE

Slide the two pullers straight into the slots on both sides of the Stereo until they click. Push the mounting sleeve off of the Stereo.

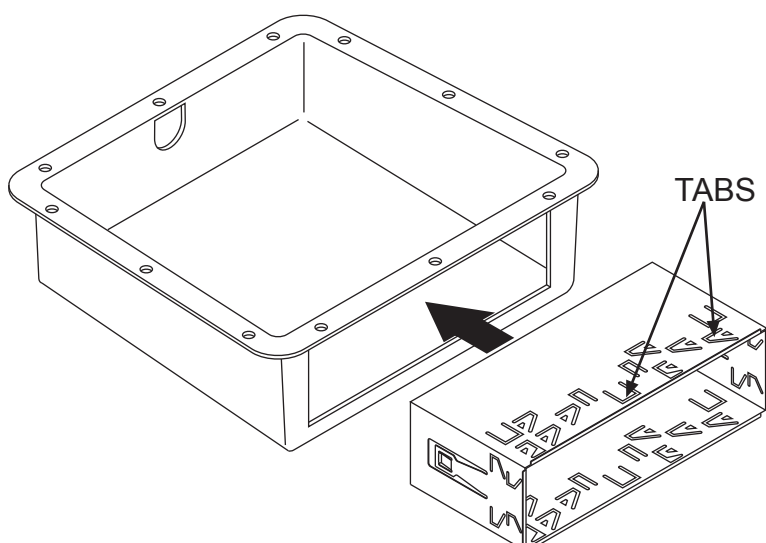
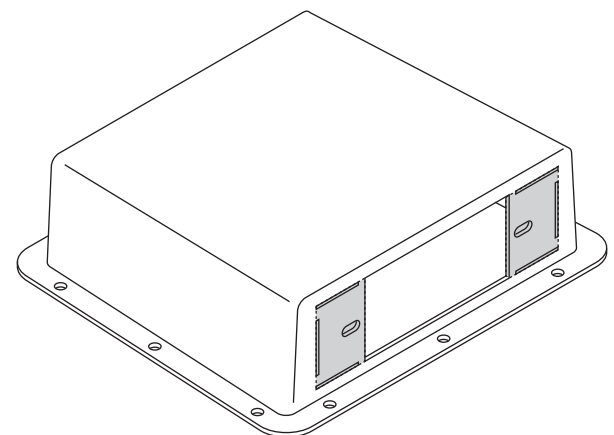


REPLACE THE FACEPLATE

Snap the faceplate back onto the front of the Stereo.

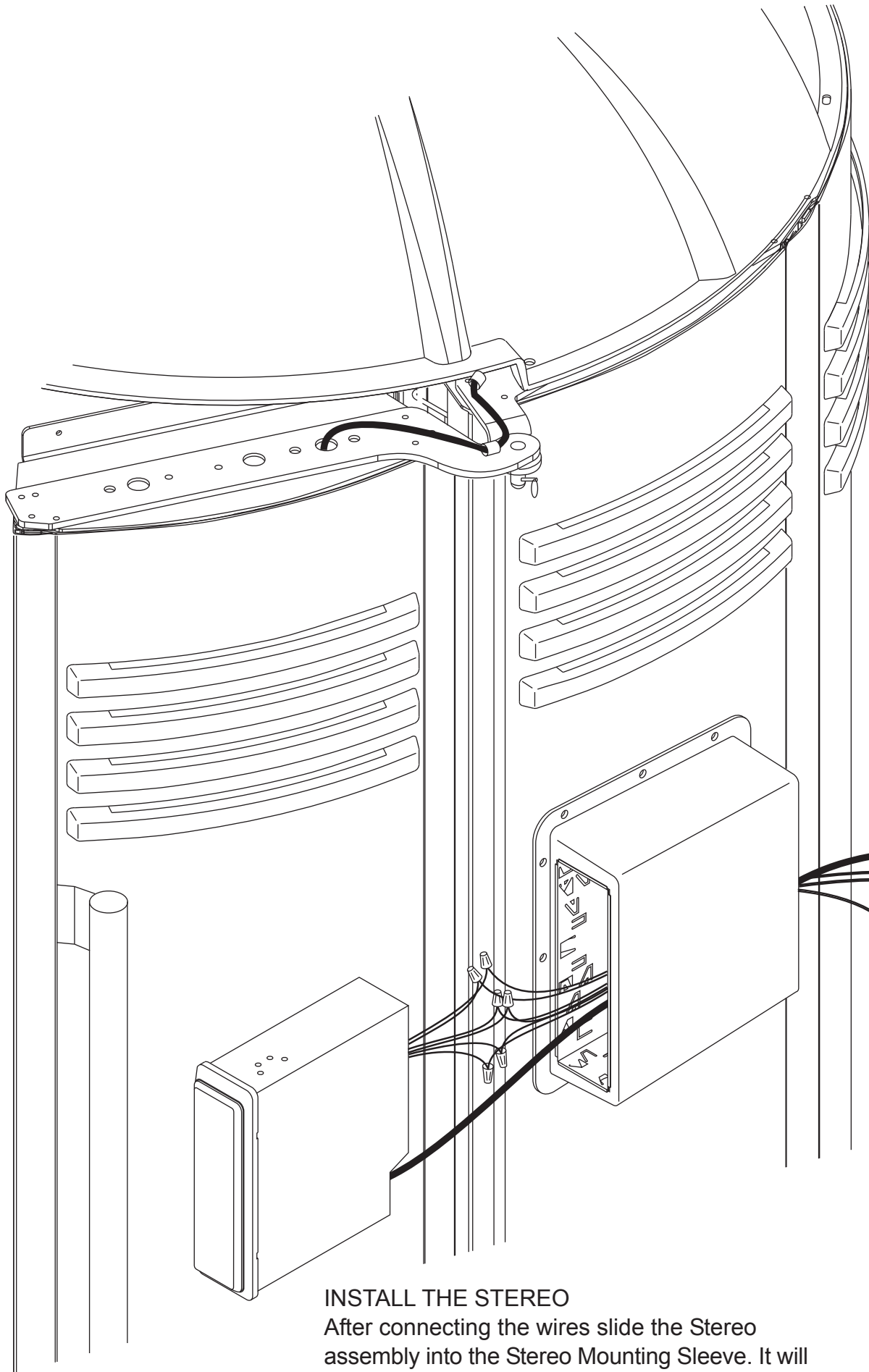
MOUNTING BOX PREPARATION

The Stereo Mounting Box is designed to accept many types of stereos. You must remove the shaded areas shown at right to fit this stereo. Carefully cut the box with a utility knife or small saw. Clean up any rough edges with a file if needed.



INSTALL THE MOUNTING SLEEVE

Slide the Mounting Sleeve into the Stereo Mounting Box. Bend a few tabs outward to secure the sleeve in the box.



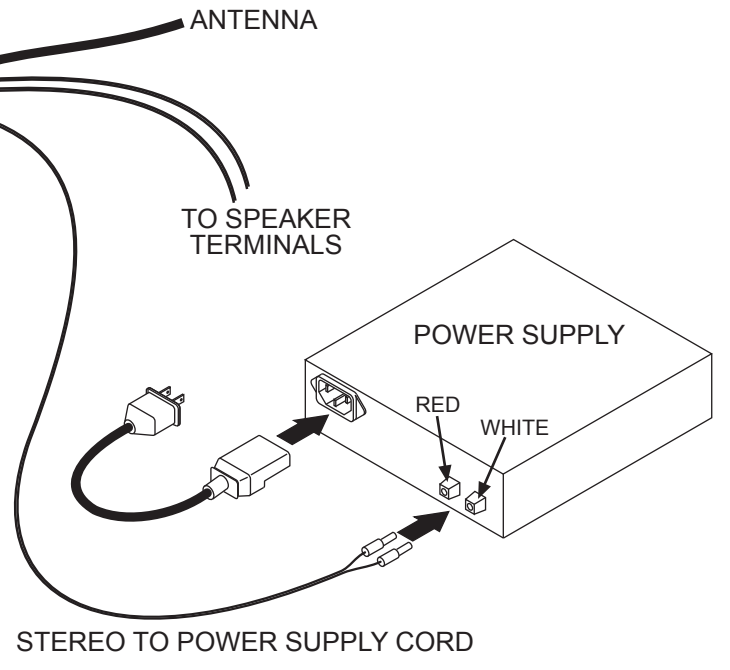
INSTALL THE STEREO
 After connecting the wires slide the Stereo assembly into the Stereo Mounting Sleeve. It will lock in place. Be sure not to pinch any wires.

MOUNT THE BOX
 Holding the Stereo Mounting Box against the booth wall, with the opening towards and near the door, mark the hole locations (there are 12) on the booth wall. Drill 1/16" holes at each location and secure the Mounting Box to the booth using the screws provided with the Mounting Box.

From this mounted location you will be able to access the Stereo either with the door closed or with it fully opened.

WIRING
 Insert the bare ends of the three wire harnesses in the Stereo Installation Kit through the hole in the back of the Mounting Box and out the front of it. Do the same with the plug end of the Antenna. Connect the wires as shown in "CONNECT THE WIRING" below.

CONNECT THE POWER SUPPLY
 Place the Power Supply somewhere near the booth and off the floor. Plug the Stereo to Power Supply Cord into the rear of the Power Supply. Plug the Power Supply's power cord into it and then into a 110V wall receptacle. Connect the speaker wires, from the Stereo, to the speaker terminals on the rear of the booth. Turn on the switch on the front of the Power Supply.



CONNECT THE WIRING
 Included in the Stereo Installation Kit are three wire harnesses, two for the speakers and one for the Stereo Power Supply. You will also use the wiring harness supplied with the Stereo. Plug the stereo wiring harness into the back of the Stereo. Connect the other three wire harnesses to it as described in the illustration at right. If the speaker wires have connectors on the ends, cut them off and strip the wire about 1/2". Connect the wires with wire nuts. There will be (6) wires on the stereo wiring harness not used which should be cut off close to the connector.

