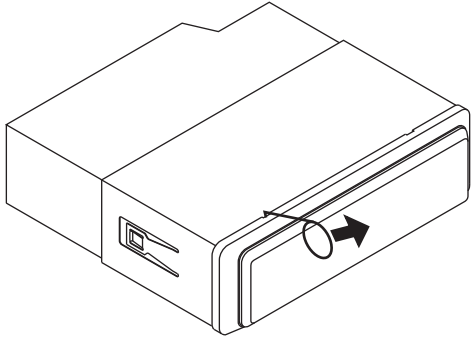


IMPORTANT

Solar System 52 Stereo Installation Instructions

(Disregard the INSTALLATION MANUAL supplied with the stereo.)

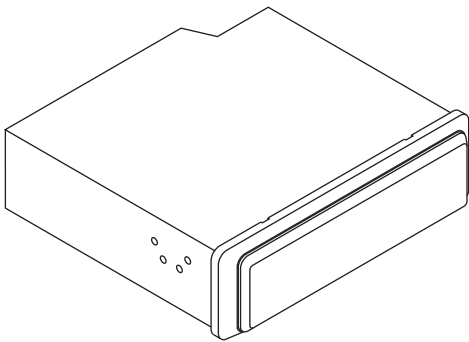
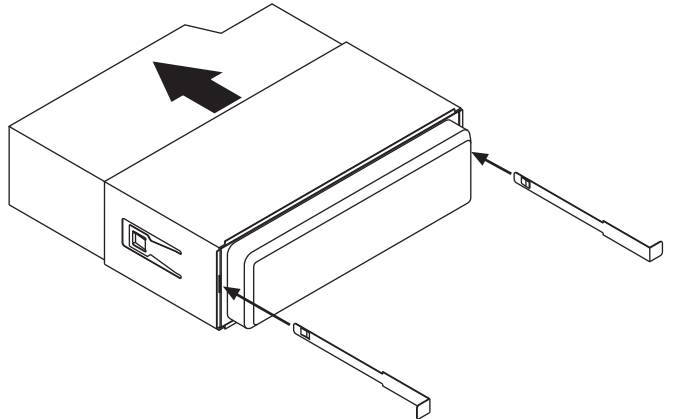


REMOVE THE FACEPLATE

Using the small wire tool, carefully pull the face plate off. Simply hook one of the notches and pull up and out, as shown. Do the same at all four notches to release the faceplate.

REMOVE THE MOUNTING SLEEVE

Slide the two pullers straight into the slots on both sides of the stereo until they click. Pull the mounting sleeve off of the stereo and discard.

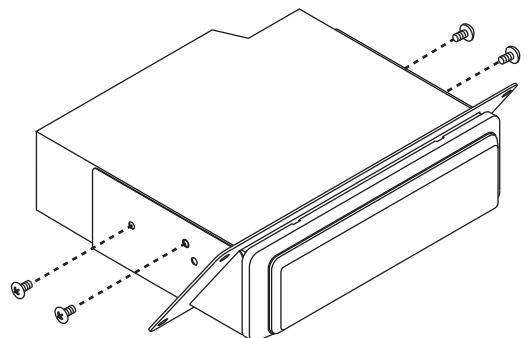
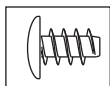


REPLACE THE FACEPLATE

Snap the faceplate back onto the front of the stereo.

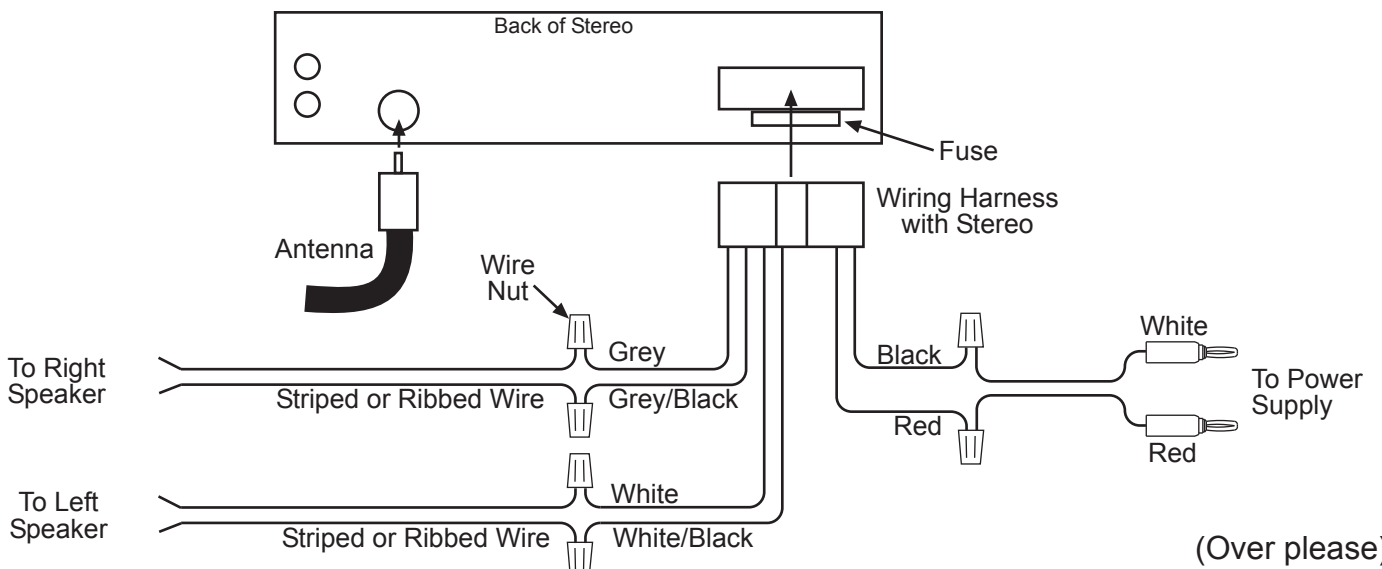
ATTACH THE MOUNTING BRACKET

Slide the stereo into the mounting bracket as shown. Secure it in place with four screws supplied with the stereo. Use the ones with rounded heads as shown in the illustration below.

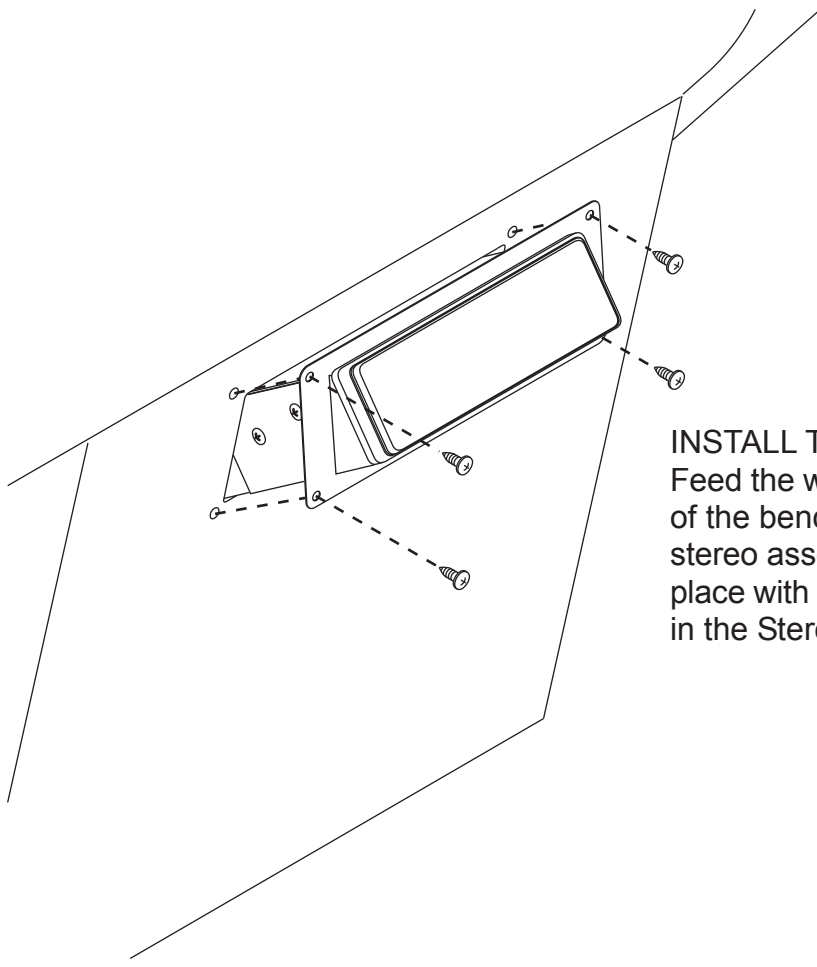


CONNECT THE WIRING

Included in the Stereo Installation Kit are three wire harnesses, two for the speakers and one for the Stereo Power Supply. You will also use the wiring harness supplied with the stereo. Plug the stereo wiring harness into the back of the stereo. Connect the other three wire harnesses to it as described in the illustration below. Connect the wires with wire nuts. There will be (6) wires on the stereo wiring harness not used which should be cut off close to the connector.

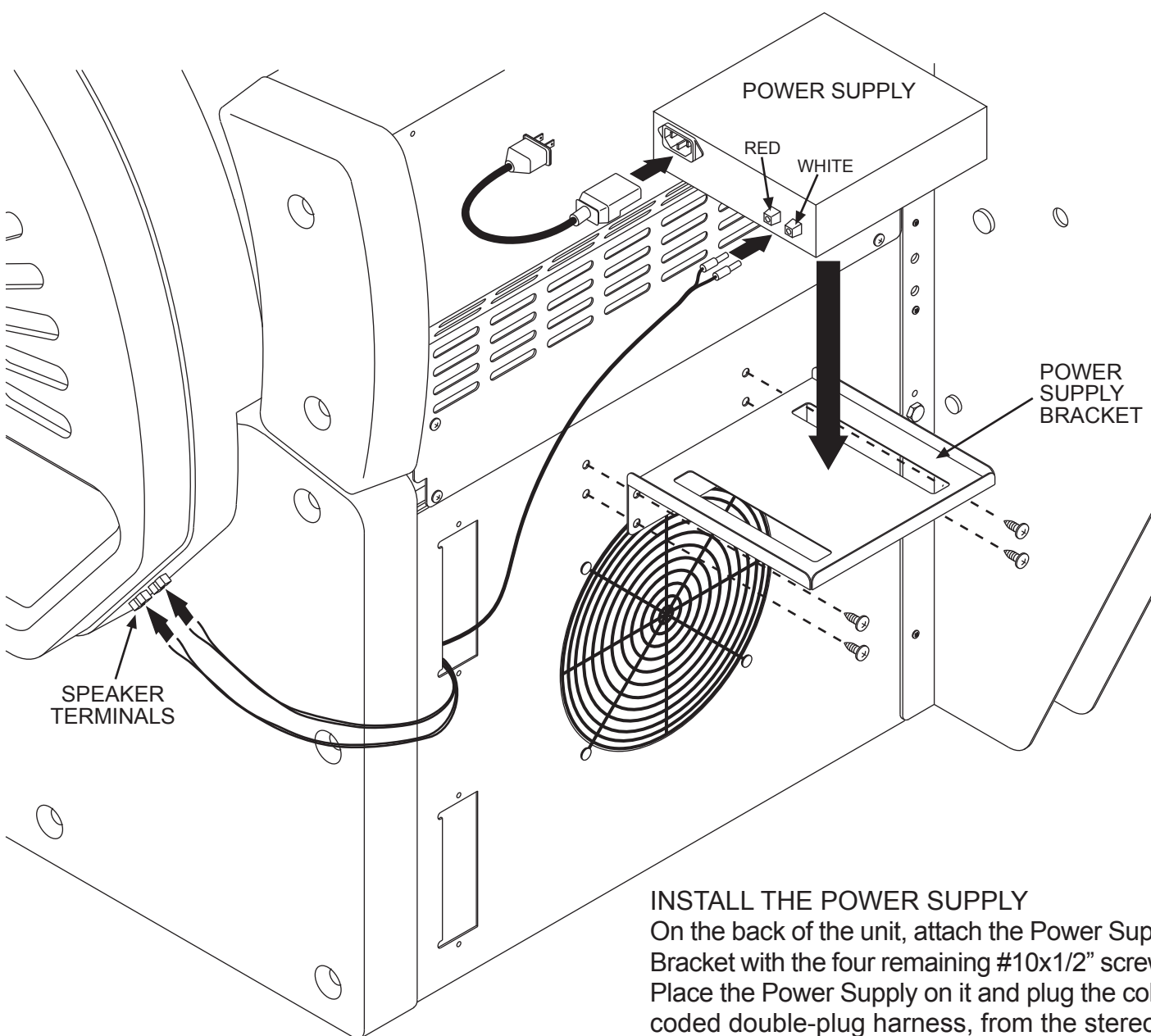


(Over please)



INSTALL THE STEREO

Feed the wires through the stereo opening on the front of the bench and out the back of the unit. Slide the stereo assembly into the stereo opening and secure in place with four #10x1/2" screws with blue heads, found in the Stereo Installation Kit.



INSTALL THE POWER SUPPLY

On the back of the unit, attach the Power Supply Bracket with the four remaining #10x1/2" screws. Place the Power Supply on it and plug the color-coded double-plug harness, from the stereo, into the Power Supply as shown. Plug the Power Supply's power cord into it and then into a 110V wall receptacle. Connect the speaker wires, from the stereo, to the speaker terminals on the Shoulder Tanner. Turn on the switch on the front of the Power Supply.