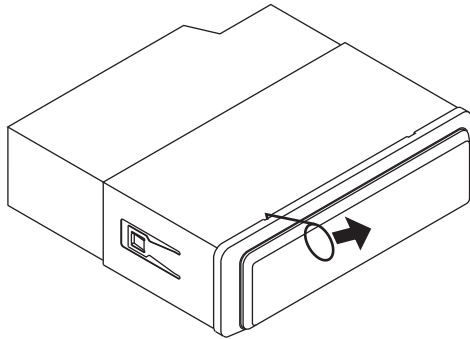


IMPORTANT

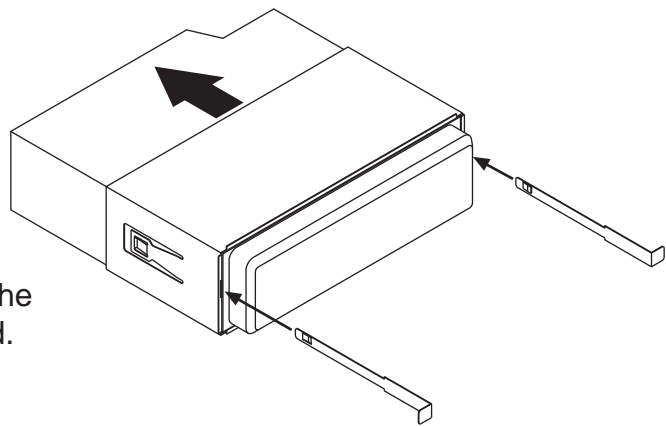
Booth Stereo Installation Instructions

(Disregard the INSTALLATION MANUAL supplied with the stereo.)



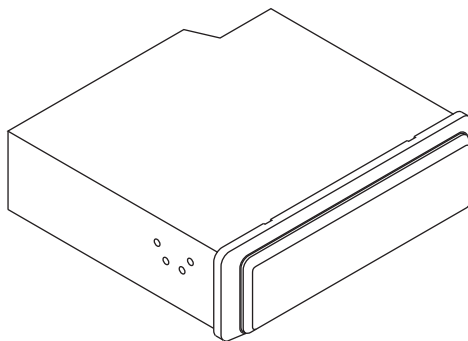
REMOVE THE FACEPLATE

Using the small wire tool, carefully pull the face plate off. Simply hook one of the notches and pull up and out, as shown. Do the same at all four notches to release the faceplate.



REMOVE THE MOUNTING SLEEVE

Slide the two pullers straight into the slots on both sides of the stereo until they click. Pull the mounting sleeve off of the stereo and discard.

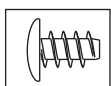
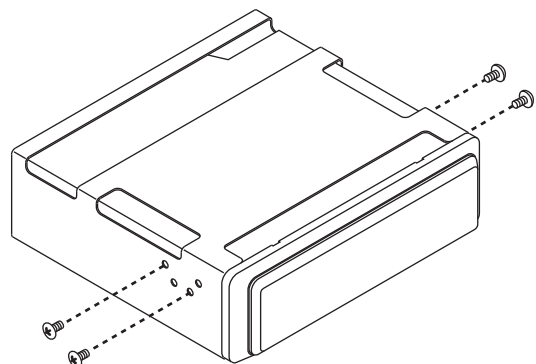


REPLACE THE FACEPLATE

Snap the faceplate back onto the front of the stereo.

INSTALL THE STEREO

Slide the stereo into the mounting bracket on top of the booth. Secure it in place with four screws supplied with the stereo. Use the ones with rounded heads as shown in the illustration below.



CONNECT THE WIRING

On top of the Control Module are some wiring harnesses. Two contain wires with bare ends. Plug the wiring harness supplied with the stereo into the back of the stereo and connect the wires, as shown below, using the wire nuts supplied in the Stereo Installation Kit. There will be (6) wires not used which should be cut off close to the connector.

