

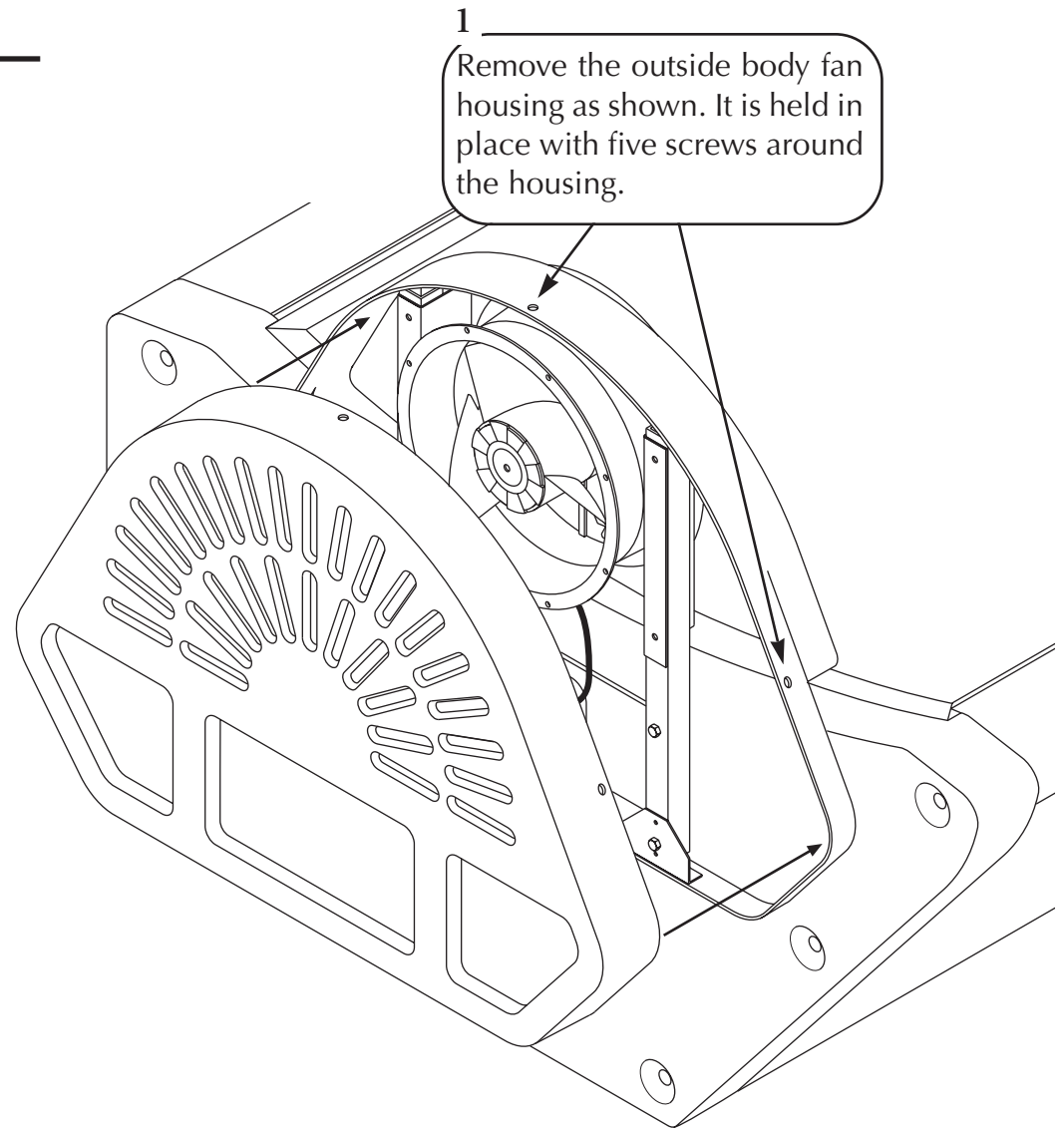
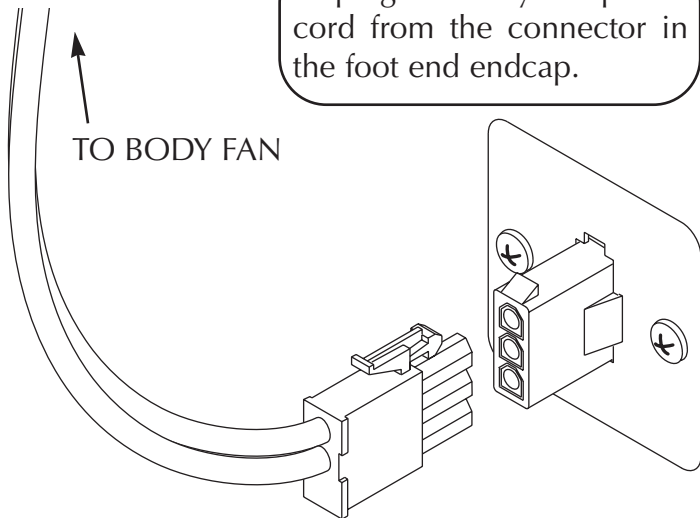
## Replacement of the Body Fan

You will need a 7/16" wrench (or an adjustable wrench) and a #2 Phillips screwdriver. All hardware needed to replace the body fan will be reused from your current body fan assembly, so be careful not to damage any screws during disassembly.

### **⚠ WARNING**

**Shock hazard.  
Disconnect power  
before performing  
this procedure.**

2  
Unplug the body fan power cord from the connector in the foot end endcap.

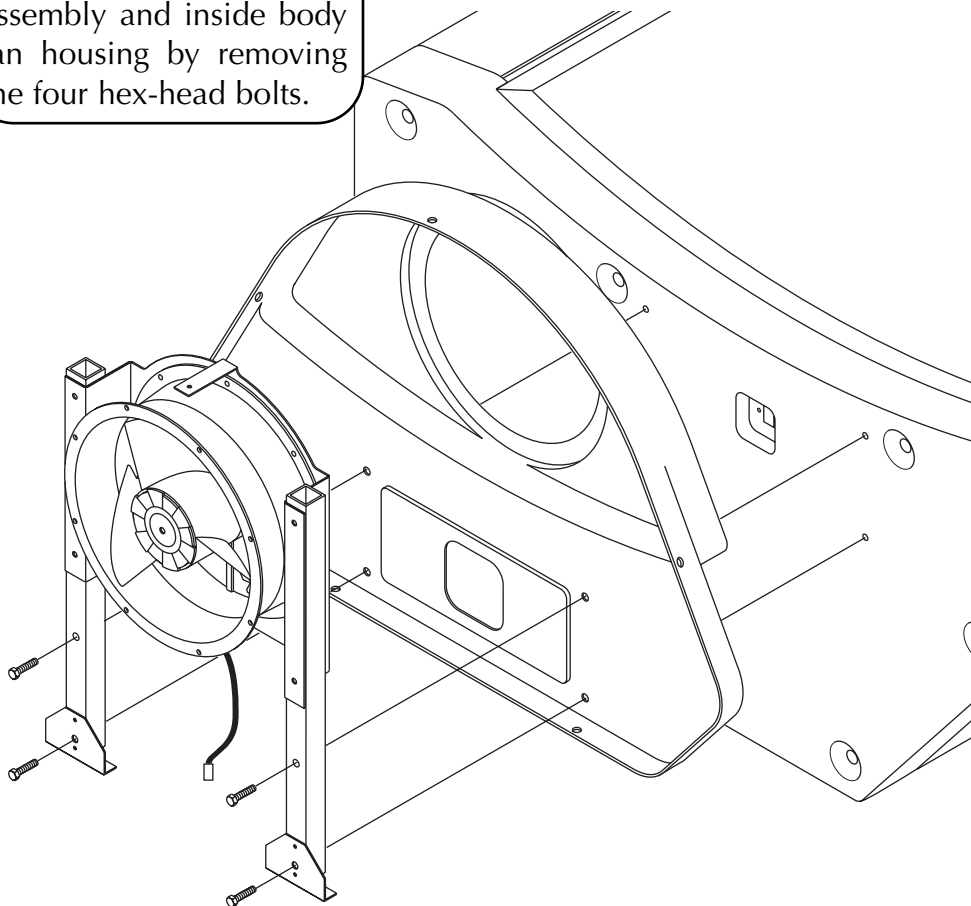


(continued on back)

23672-01A

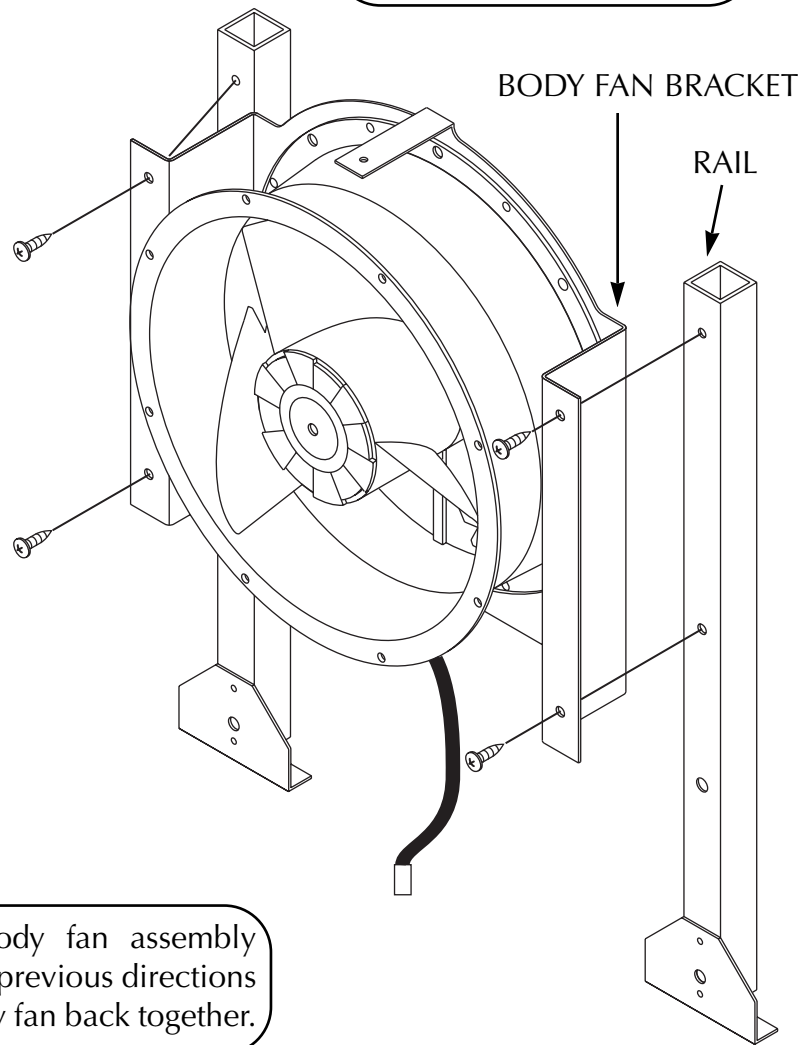
3

Remove the body fan assembly and inside body fan housing by removing the four hex-head bolts.



4

Disassemble the body fan assembly by removing the four screws which hold the body fan bracket to the rails.



5

Replace the body fan assembly and reverse the previous directions to put your body fan back together.