

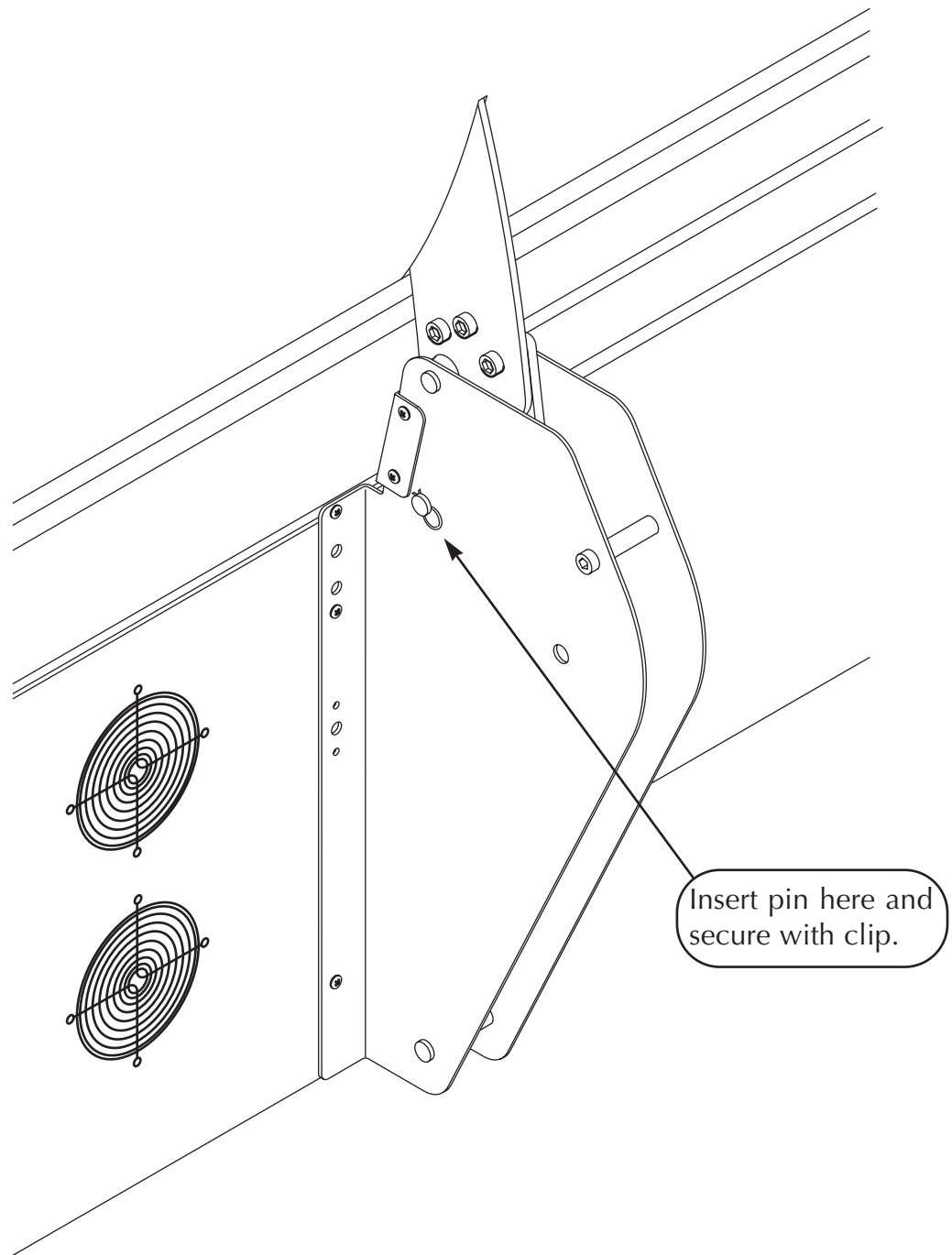
# SOLARIS™

## Packaging Illustrations

## Before Packing

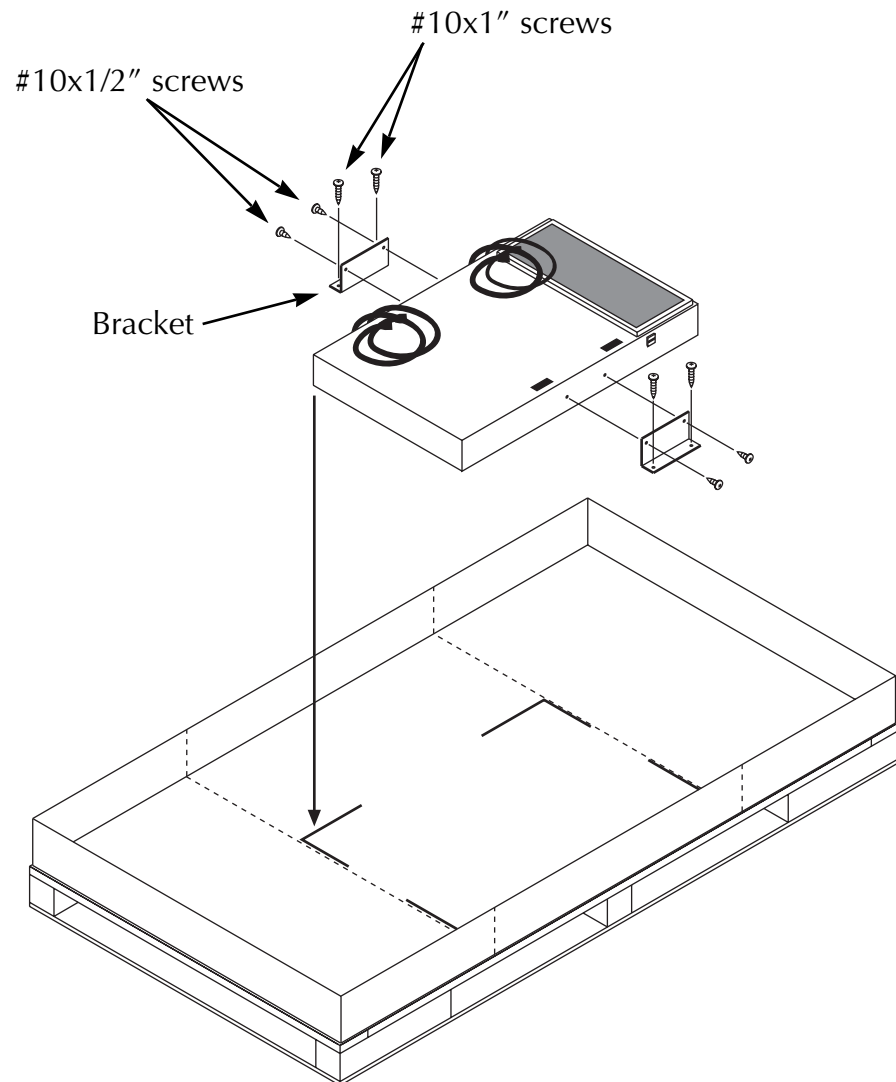
In this packing kit is some hardware. Locate the large metal pins (2) and clips (2). Raise the canopy and insert the pins as shown below. Lock in place with the clips.

Remove the canopy, hinge cover panel and front access panel.



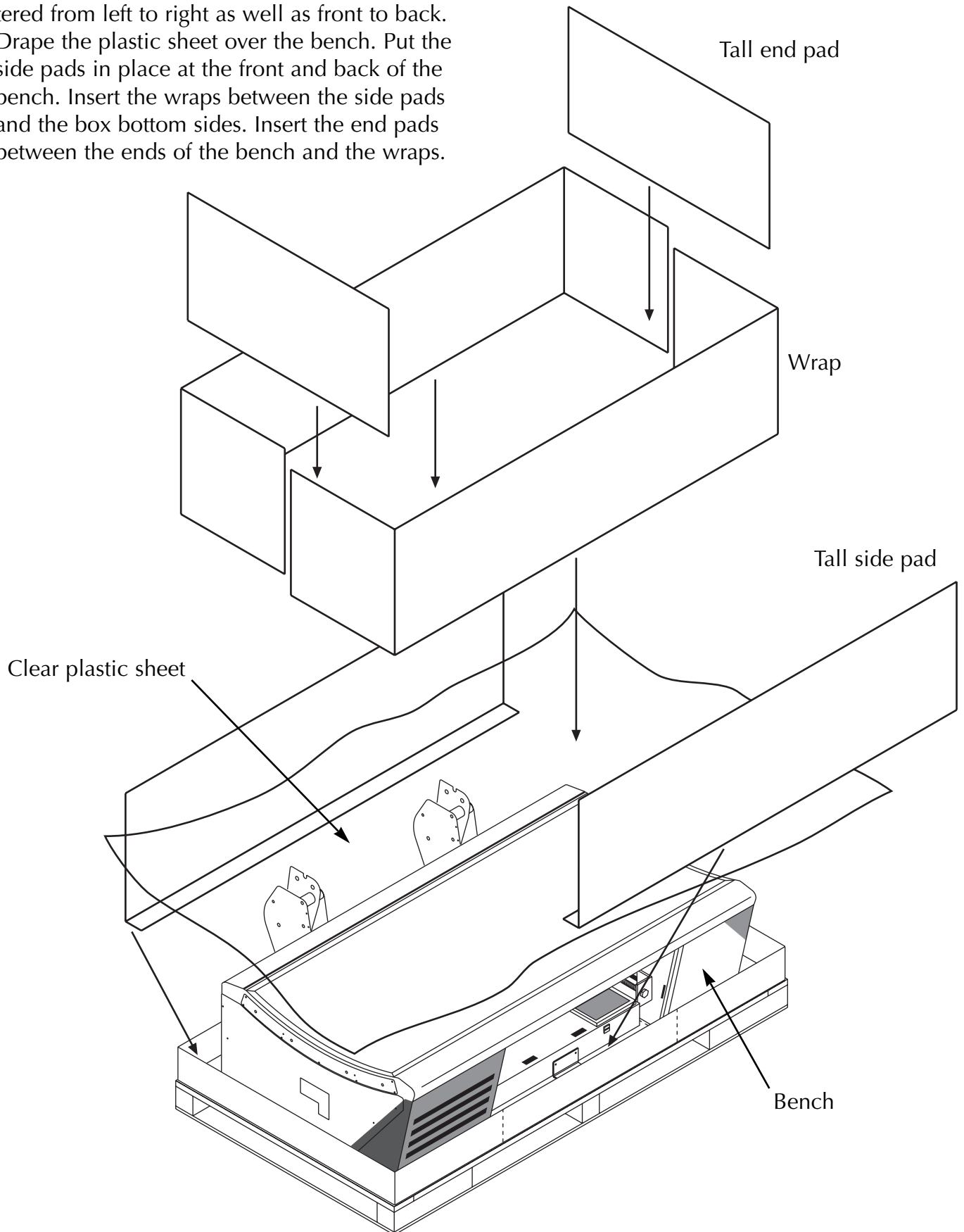
## Pack the tray

Screw the metal brackets to the tray, as shown below, using the #10x1/2" screws. Fasten the brackets to the packaging skid using the #10x1" screws.



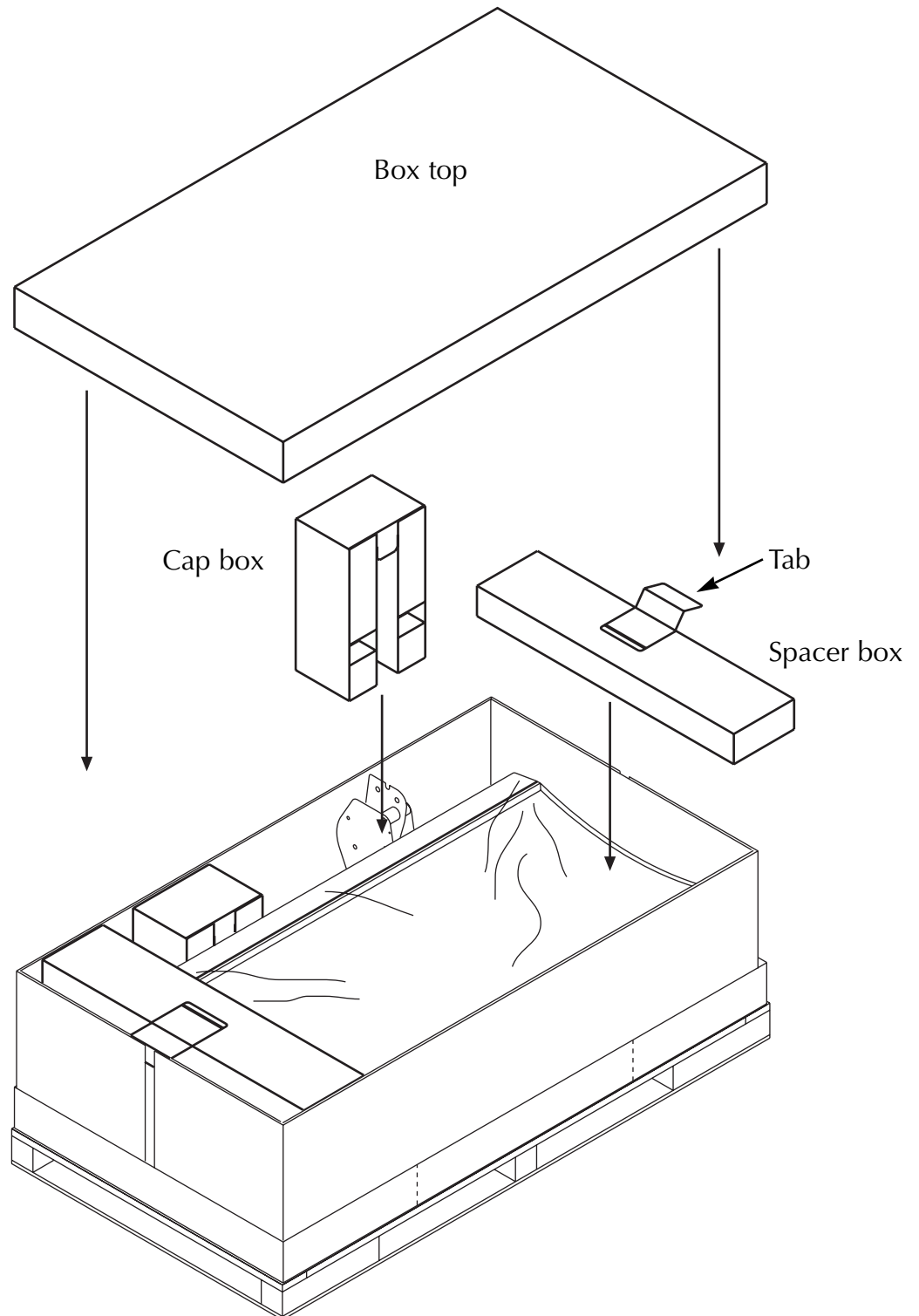
## Pack the bench

Place the bench onto the packaging skid, centered from left to right as well as front to back. Drape the plastic sheet over the bench. Put the side pads in place at the front and back of the bench. Insert the wraps between the side pads and the box bottom sides. Insert the end pads between the ends of the bench and the wraps.



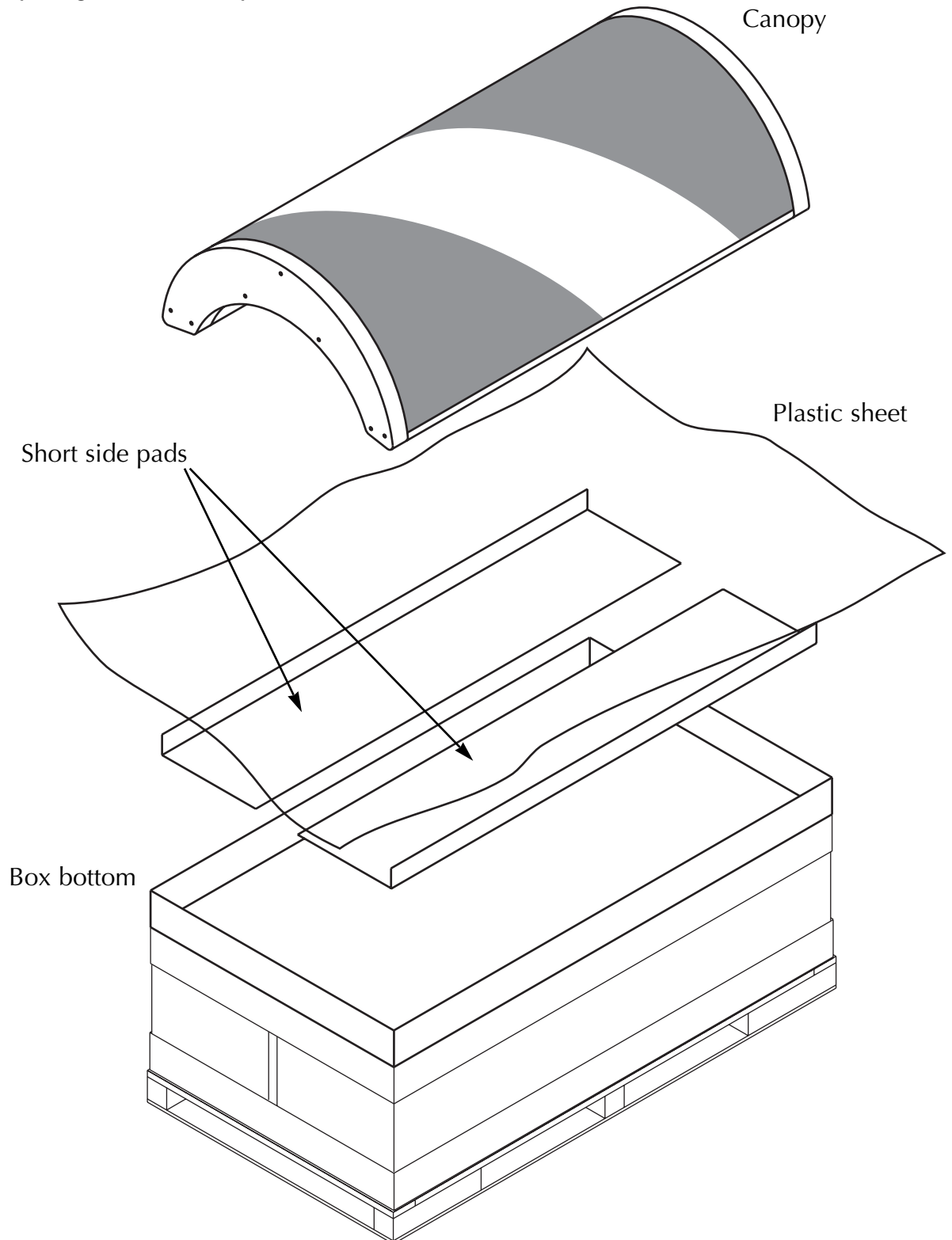
## Pack the bench

Place the tall cap boxes over the hinge assemblies. Put the spacer boxes in place with the tabs tucked between the end pads and wraps, as shown. Pack access panel, hinge cover panel, all hardware and anything else that came with the sunbed in with the bench. Put the box top on.



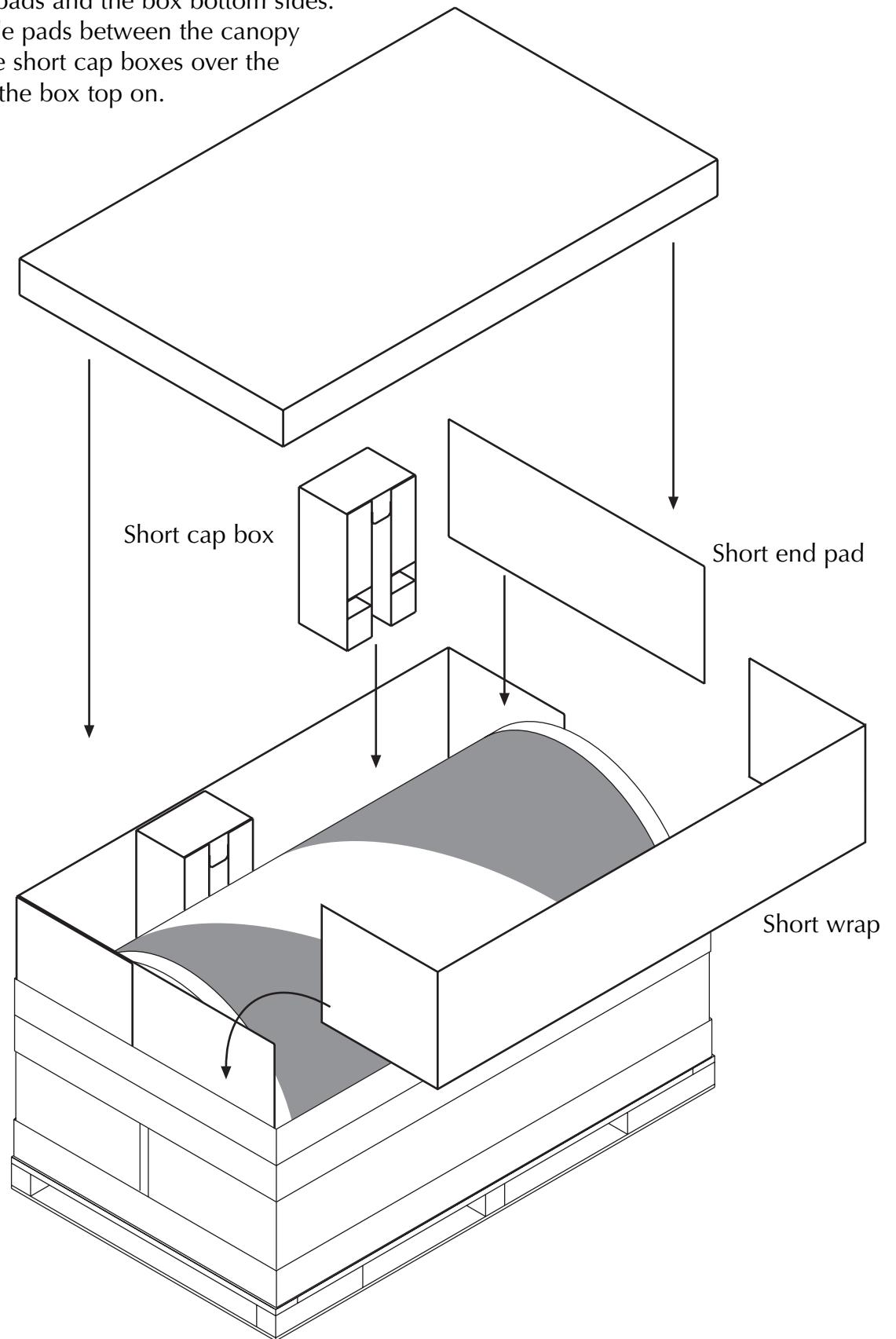
## Pack the canopy

Place a box bottom on top of the bench box. Put the two short side pads into the box, laid flat as shown. Lay the plastic sheet in the box and put the canopy on top. Wrap the plastic over the canopy and tape together at the top.



## Pack the canopy

Insert the short wraps into the box bottom between the side pads and the box bottom sides. Insert the short side pads between the canopy and wraps. Put the short cap boxes over the canopy arms. Put the box top on.



## Pack the canopy

The plastic strapping comes in one long strip. Cut it as necessary when banding the sunbed package. Use the four short corner posts where shown. Place the four long corner posts into position when strapping around the sides. Pull all strapping tight.

See illustrations at right for strapping instructions.

