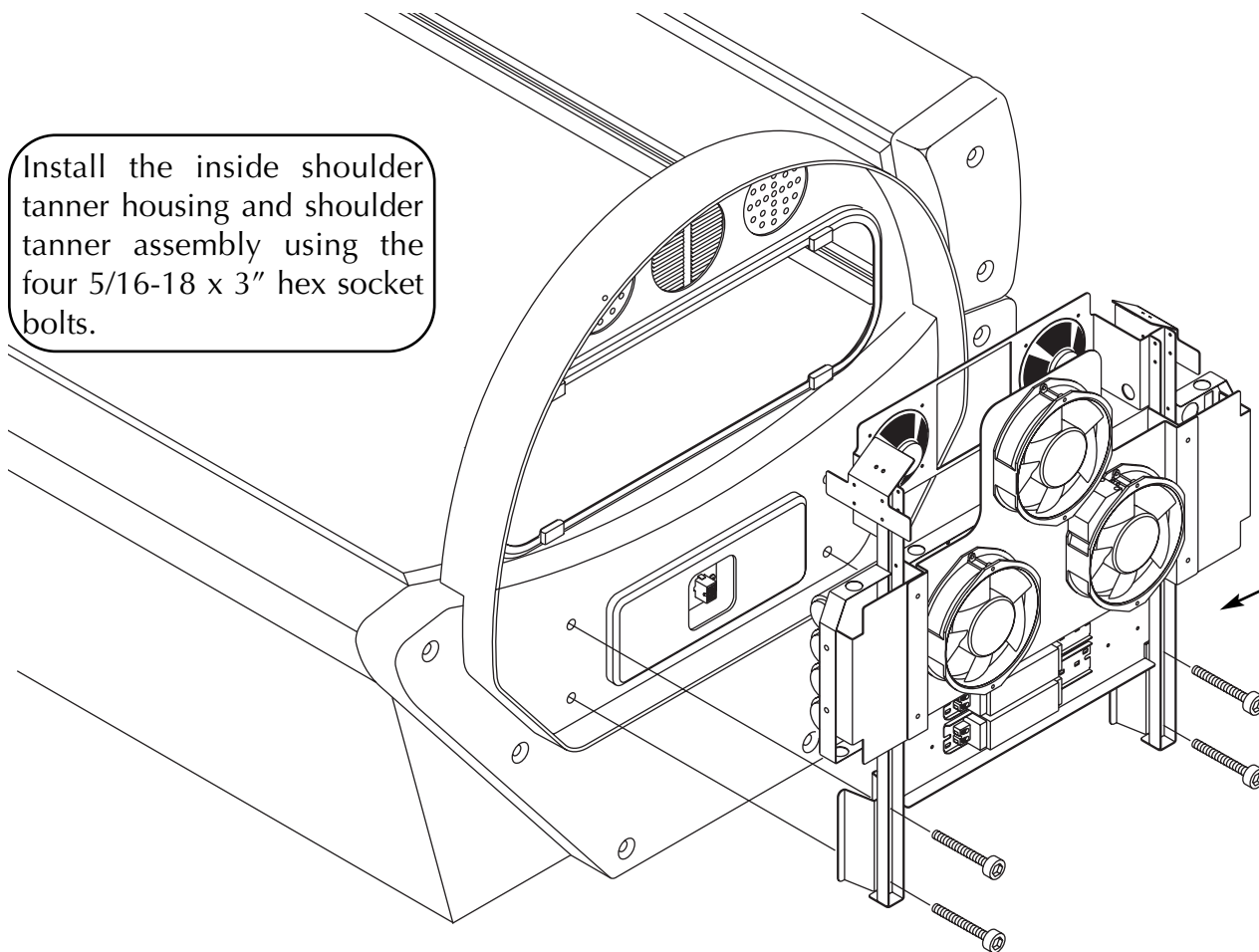


Installation of your Shoulder Tanner

You will need a #2 Phillips screwdriver and a 1/4" Allen wrench. All hardware needed to install the shoulder tanner is included in the shoulder tanner box. The shoulder tanner power cord from the bed must be installed in the head end bench endcap before beginning this procedure. Refer to your user manual for details if needed.



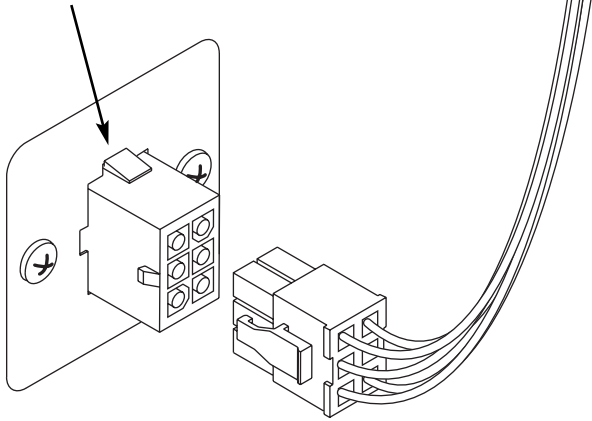
(The canopy has been deleted from the illustrations.)



Install the inside shoulder tanner housing and shoulder tanner assembly using the four 5/16-18 x 3" hex socket bolts.

At the bottom right of the inside shoulder tanner shroud are two speaker hook-ups. There are two pairs of wires coming from the shoulder tanner assembly speakers. One in each pair is white and the other is black. Press the black wire onto the black terminal and the white one onto the red terminal.

SHOULDER TANNER POWER
CORD CONNECTOR IN ENDCAP



TO SHOULDER
TANNER ASSEMBLY

Plug the cord from the shoulder
tanner into the connector in the
head end bench endcap.

The outside shoulder tanner
shroud presses into the inside
shroud as shown. Secure in
place with the four #10 x 5/8"
screws through the holes
around the shroud.

