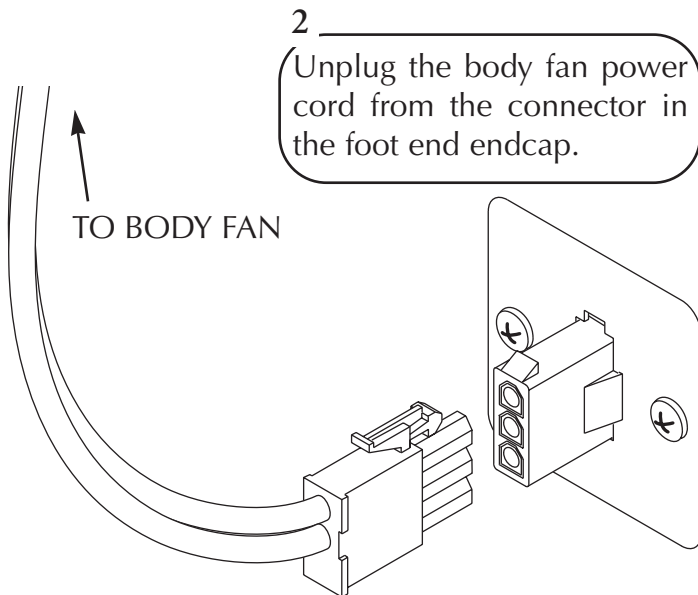
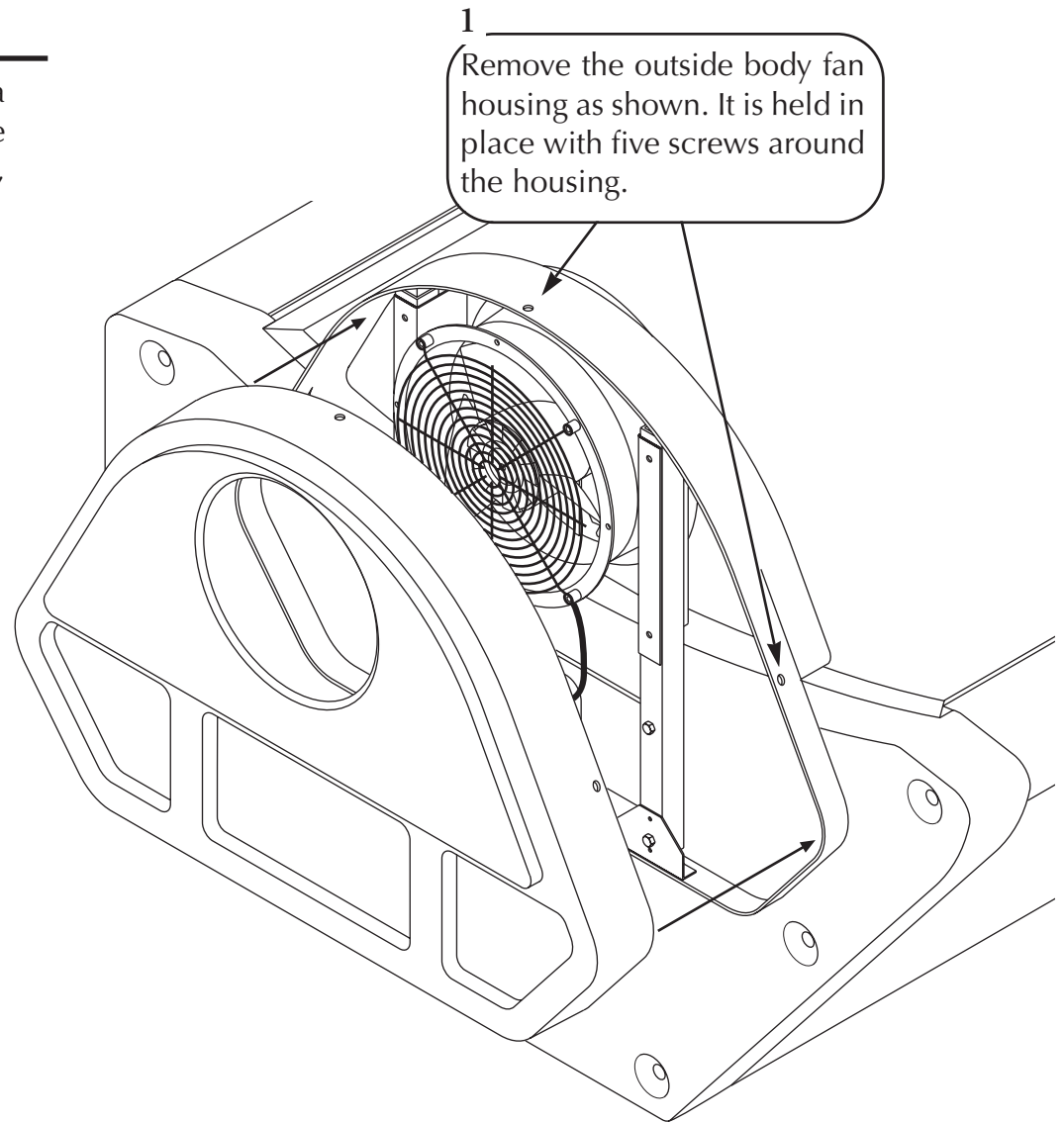
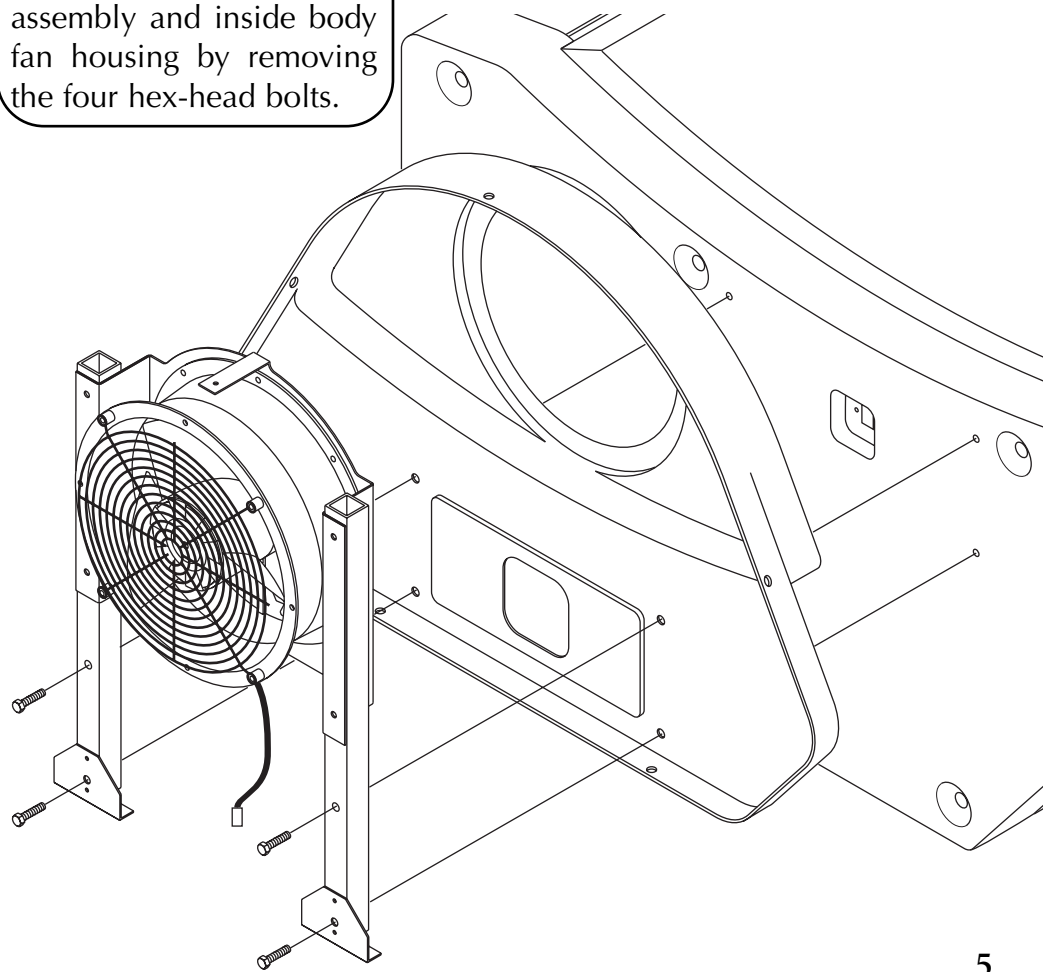


## Replacement of the Body Fan

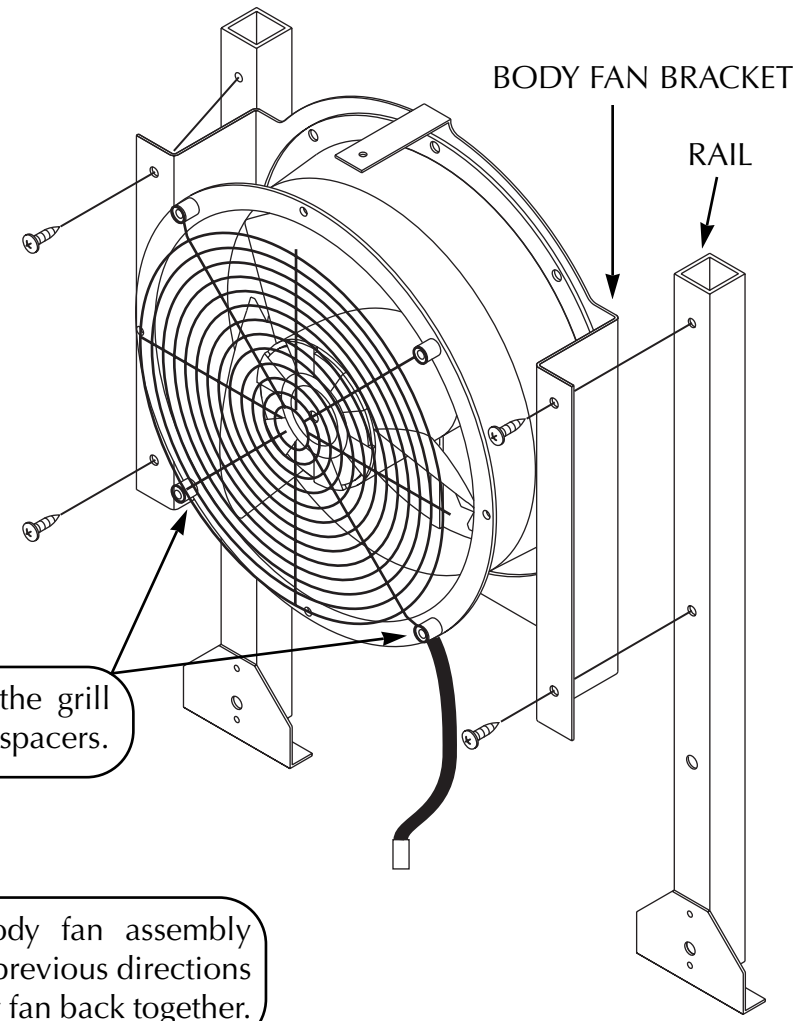
You will need a 7/16" wrench (or an adjustable wrench) and a #2 Phillips screwdriver. All hardware needed to replace the body fan will be reused from your current body fan assembly, so be careful not to damage any screws during disassembly.



3  
Remove the body fan assembly and inside body fan housing by removing the four hex-head bolts.



4  
Disassemble the body fan assembly by removing the four screws which hold the body fan bracket to the rails.



5  
Remove the grill and four spacers.

6  
Replace the body fan assembly and reverse the previous directions to put your body fan back together.