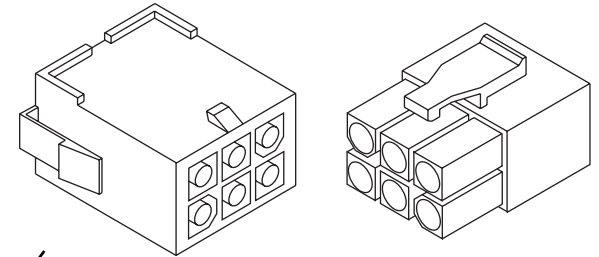


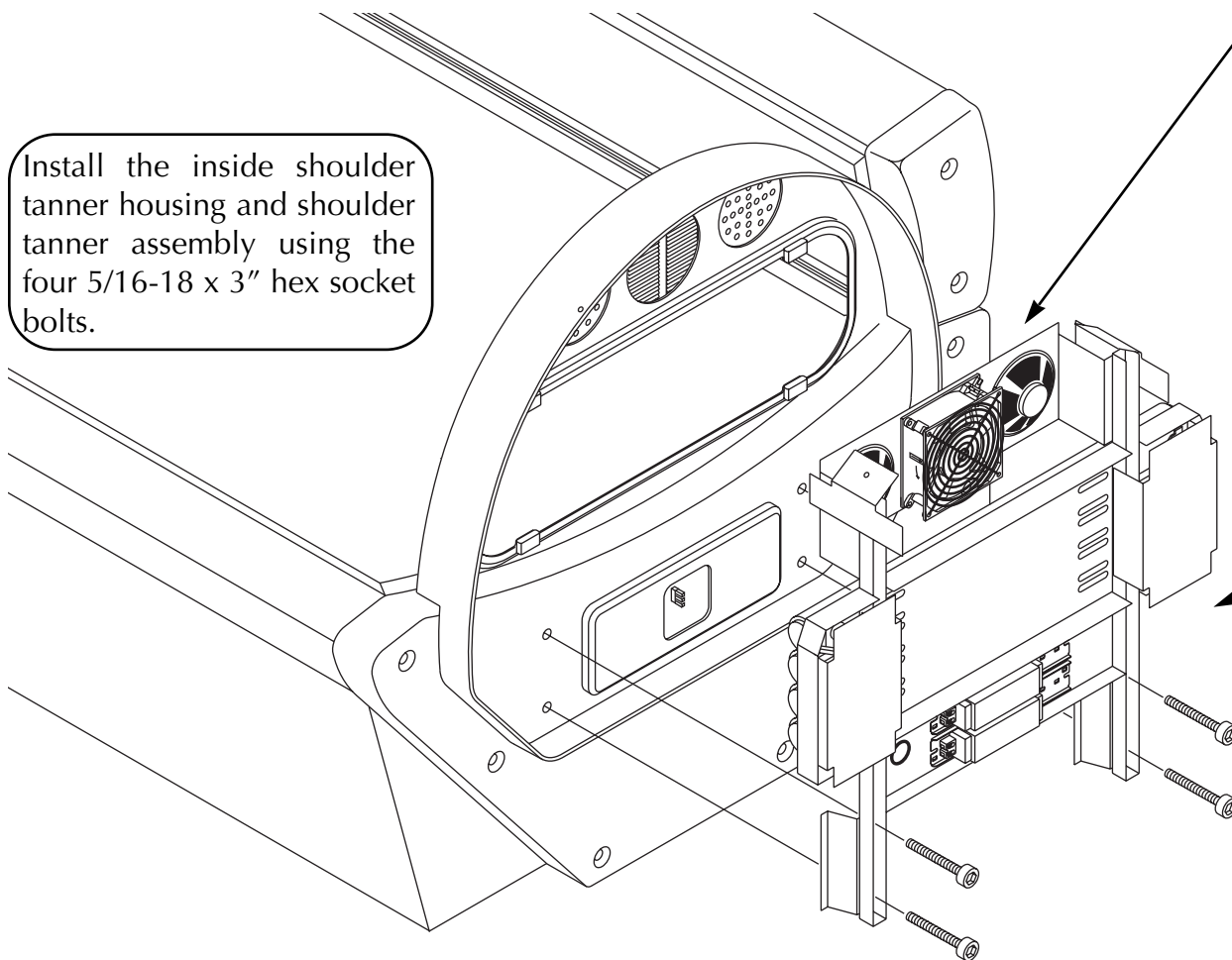
Installation of your Shoulder Tanner

You will need a #2 Phillips screwdriver and a 1/4" Allen wrench. All hardware needed to install the shoulder tanner is included in the shoulder tanner box. The shoulder tanner power cord from the bed must be installed in the head end endcap before beginning this procedure. Refer to your user manual for details if needed.

⚠ WARNING
Make sure power is disconnected before performing this procedure.

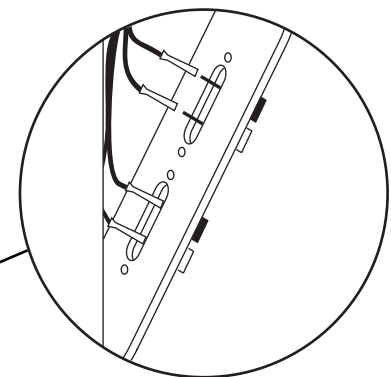


(The canopy has been deleted from the illustrations.)



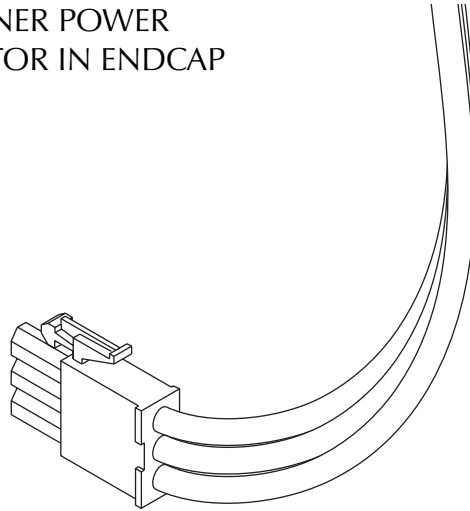
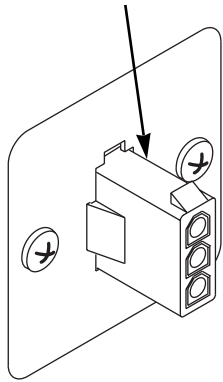
Install the inside shoulder tanner housing and shoulder tanner assembly using the four 5/16-18 x 3" hex socket bolts.

Near the cooling fan, plug the six-pin connectors together for the fan speed switch.



At the bottom right of the shoulder tanner unit are two speaker hook-ups. There are two pairs of wires, and one in each pair is silver and the other is copper. Press the copper wire onto the black terminal and the silver one onto the red terminal.

SHOULDER TANNER POWER
CORD CONNECTOR IN ENDCAP



TO SHOULDER
TANNER ASSEMBLY

Plug the cord from the shoulder
tanner into the connector in the
head end endcap.

The outside shoulder tanner
housing presses into the
inside housing as shown.
Secure in place with the four
#10 x 5/8" screws through the
holes around the housing.

