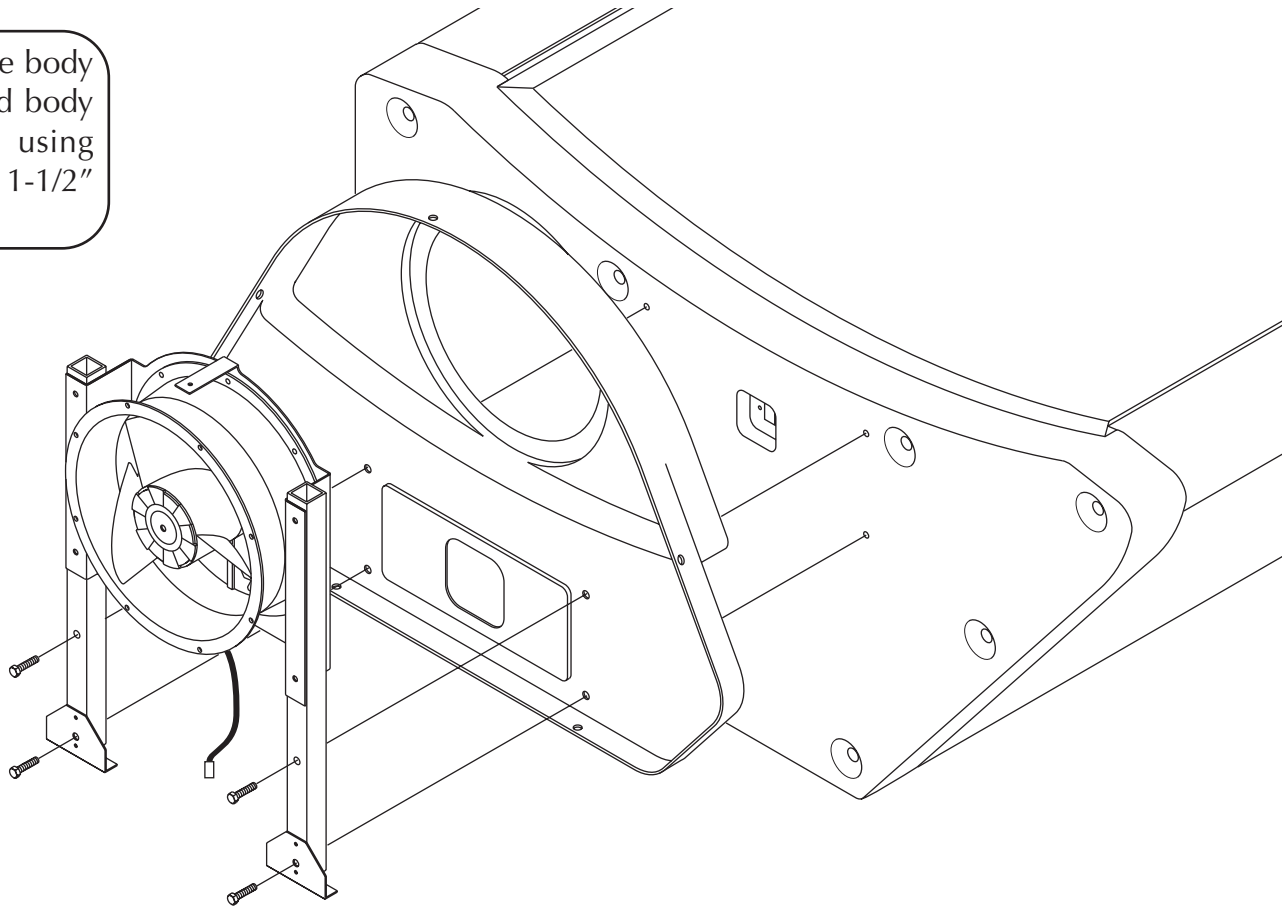


Installation of your Body Fan

WARNING: Disconnect power before performing this procedure.

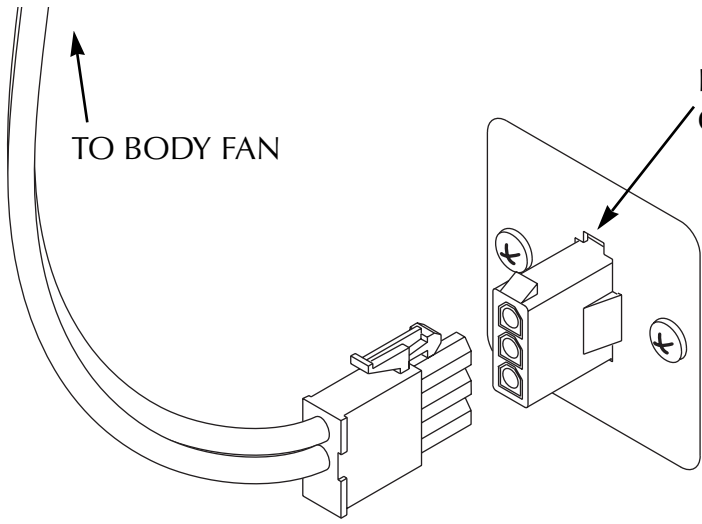
You will need a 7/16" wrench (or an adjustable wrench) and a #2 Phillips screwdriver. All hardware needed to install the body fan is included in the body fan box. The body fan power cord from the bed must be installed in the foot end endcap before beginning this procedure. Refer to your user manual for details if needed.

Install the inside body fan housing and body fan assembly using the four 1/4" x 1-1/2" hex-head bolts.



(continued on back)

23116-12A



Plug the cord from the body fan into the connector in the foot end endcap.

The outside body fan housing presses into the inside housing as shown. Secure in place with the five #10 x 1/2" screws through the holes around the housing.

