

## Eaton Timer Service Instructions

These instructions are to assist in the process of replacing the existing Mallory Timer Assembly with the Eaton Timer Assembly.

### Components of the Service Kit

- (1) 30 min. Timer Knob
- (2) Screws
- (1) 30 min. Timer Assembly

**CAUTION:** *Be sure all power has been disconnected from the unit before any work takes place.*

- 1.0 Remove both blue endcaps, by removing the screws that hold them on.
  - 2.0 Remove the two screws at the back of the unit securing the cover to the pivot plate.
  - 3.0 Remove the existing timer knob.
  - 4.0 Remove the cover enough to gain access to the timer.
  - 5.0 Remove the wires from the timer, and the timer from the cover.
  - 6.0 Connect the wires to the silver tabs of the new Eaton timer. See Fig 1. Note the letters on the back of the timer.
  - 7.0 Attach the timer to the cover using the screws provided in the kit. **DO NOT RE-USE THE OLD SCREWS.**
- NOTE:** Make sure the orientation of the timer is correct by placing the timer knob on the shaft. Turn the timer off (a “click” will be heard) and check that the “0” on the timer knob is lined up with the plastic rivet on the cover.
- 8.0 Re-seat the cover back into its proper position.
  - 9.0 Replace the two screws at the back of the unit and the blue endcaps.

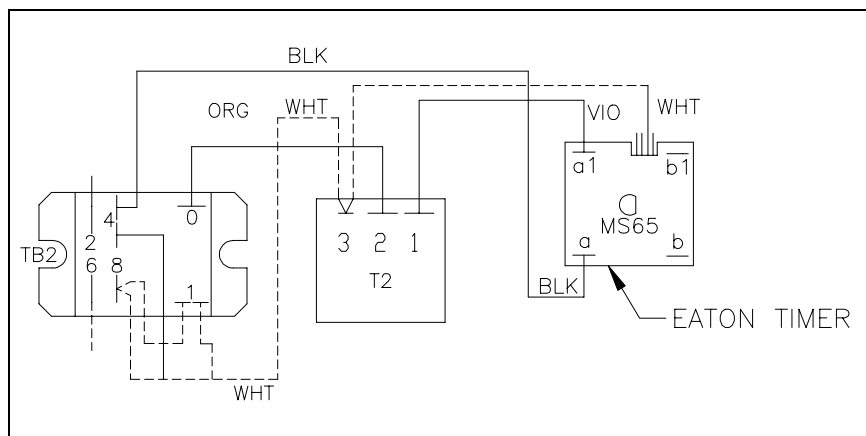


Fig.1