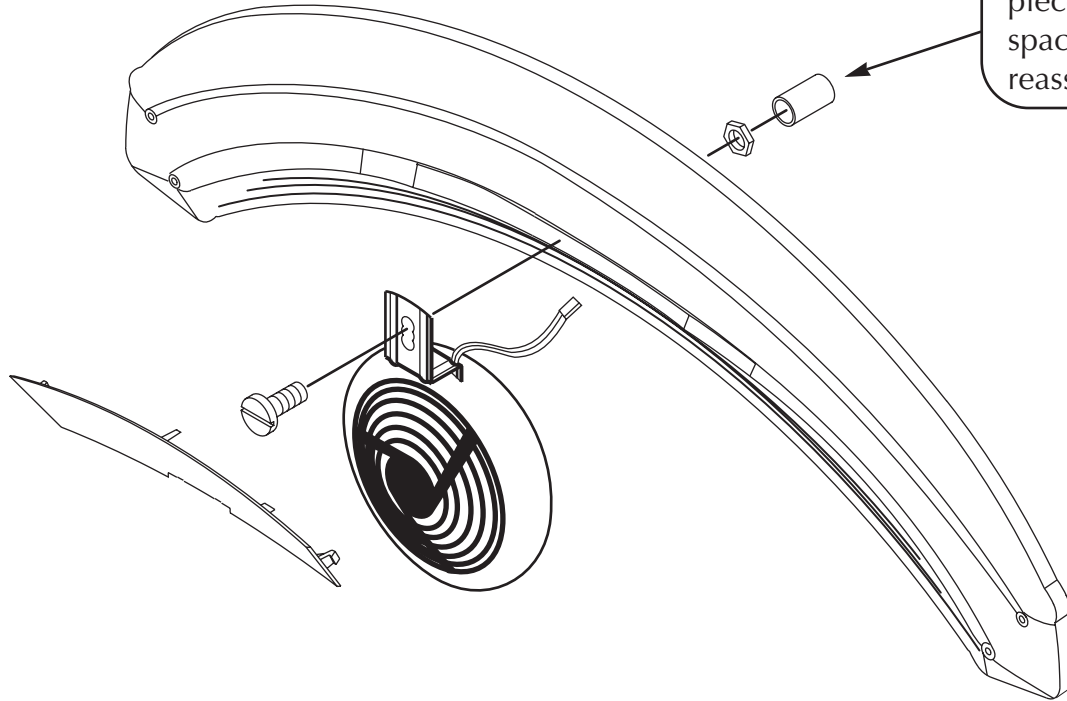


Body Fan Hardware



You may want to use a piece of tape to hold the spacer in place prior to reassembly.