

Procedure for Replacement of Bench Endcaps on the SunQuest® Pro 14SE

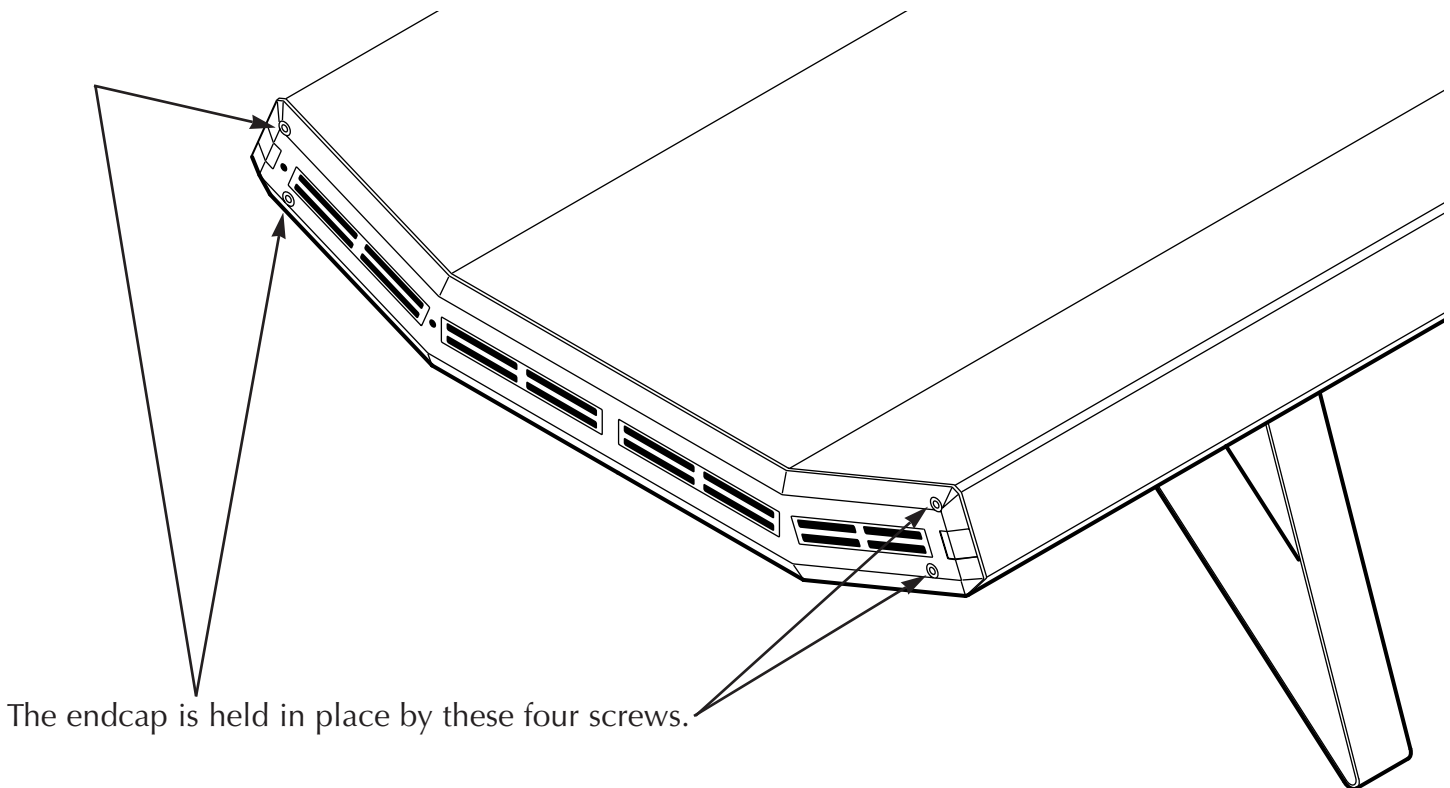
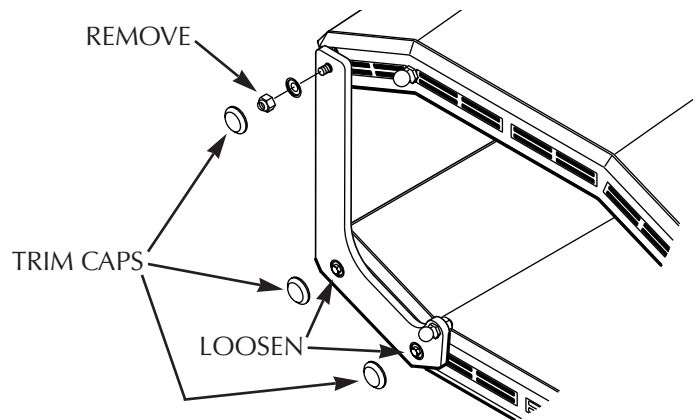


DISCONNECT POWER BEFORE STARTING THIS OR ANY SERVICE PROCEDURE REQUIRING THE REMOVAL OF PROTECTIVE COVERS.

You will need a helper to perform this procedure. This endcap replacement kit contains the necessary parts to replace two bench endcaps. First, remove the gas springs from the sunbed. Refer to your user manual if you need further instruction.

Pry off the white trim caps (see right). Loosen the nuts holding the hinge arm to the bench a few turns. Remove the nuts holding the canopy. Remove the canopy and place it on the floor. Remove the hinge arms completely. The endcaps are held in place by #10 x 1-1/4" Phillips head screws, as shown below. Unscrew the endcap from the unit and save the screws. There is a left and a right endcap so you need to match the new endcap with the one you removed.

Put a new endcap in place and line up all necessary holes. Secure the new endcap with the #10 x 1-1/4" screws removed earlier. Now reassemble your sunbed. Put the hinge brackets back on, attach the canopy to the hinge brackets and tighten all nuts. Snap on the trim caps. Reinstall the gas springs. Remember to install the locking clips in the gas springs. DO NOT lower canopy until both gas springs are in place and the locking clips are installed! Failure to install locking clips may result in the ball joints working loose, allowing the canopy to fall, which may cause serious injury!



The endcap is held in place by these four screws.