

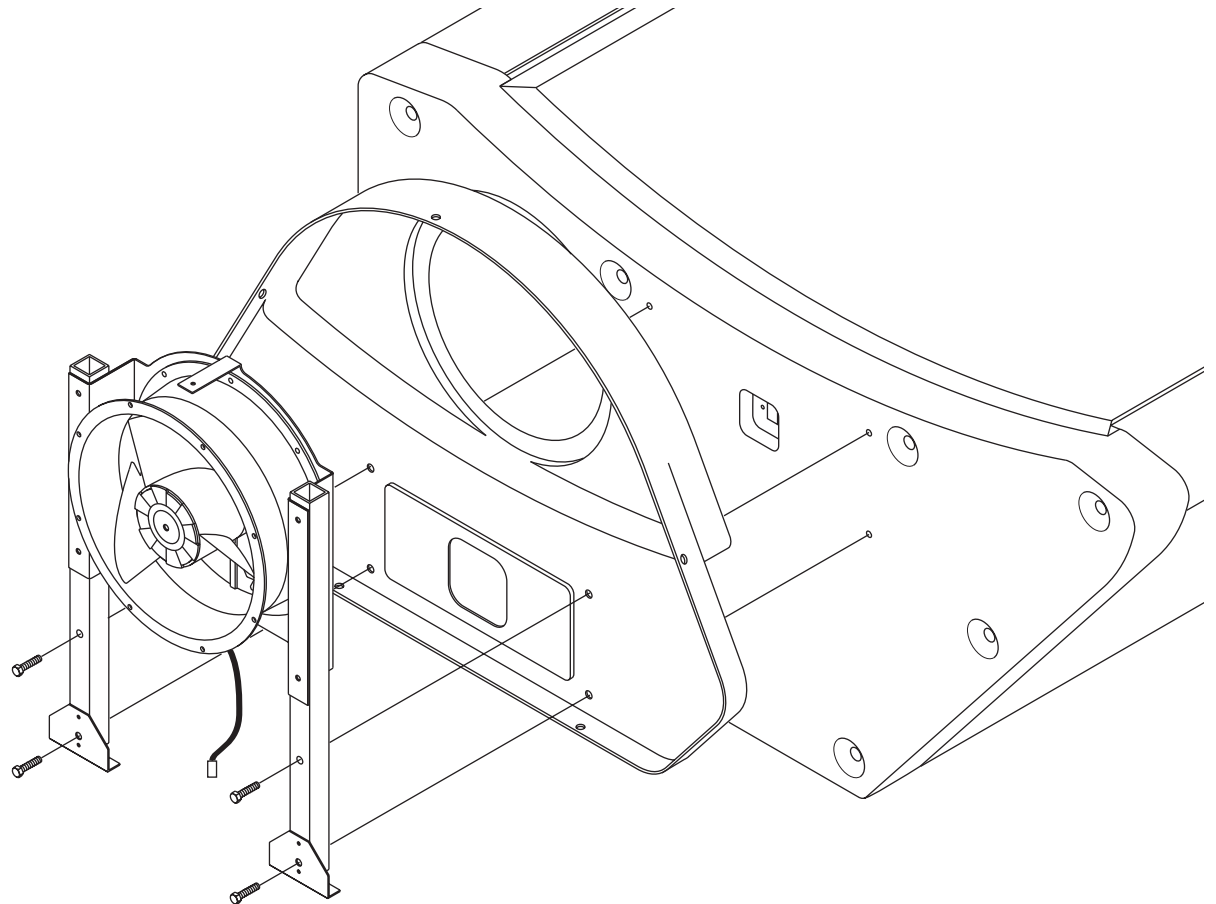
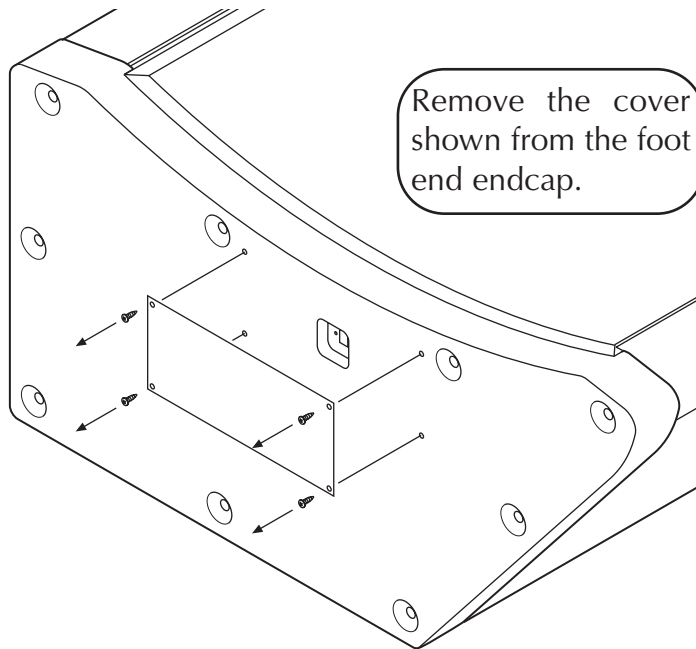
# SOLARIS

*SPEED 175 system™*

## Installation of Body Fan on SOLARIS 36 / 36 3F

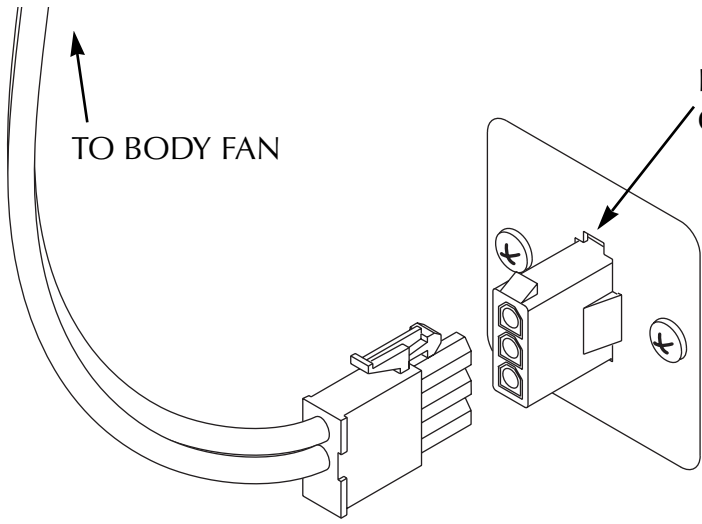
WARNING: Disconnect power before performing this procedure.

You will need a 7/16" wrench (or an adjustable wrench) and a #2 Phillips screwdriver. The body fan power cord from the bed must be installed in the foot end endcap before beginning this procedure. Refer to your user manual for details if needed.



(continued on back)

22683A



Plug the cord from the body fan into the connector in the foot end endcap.

The outside body fan housing presses into the inside housing as shown. Secure in place with the five #10 x 1/2" screws through the holes around the housing.

