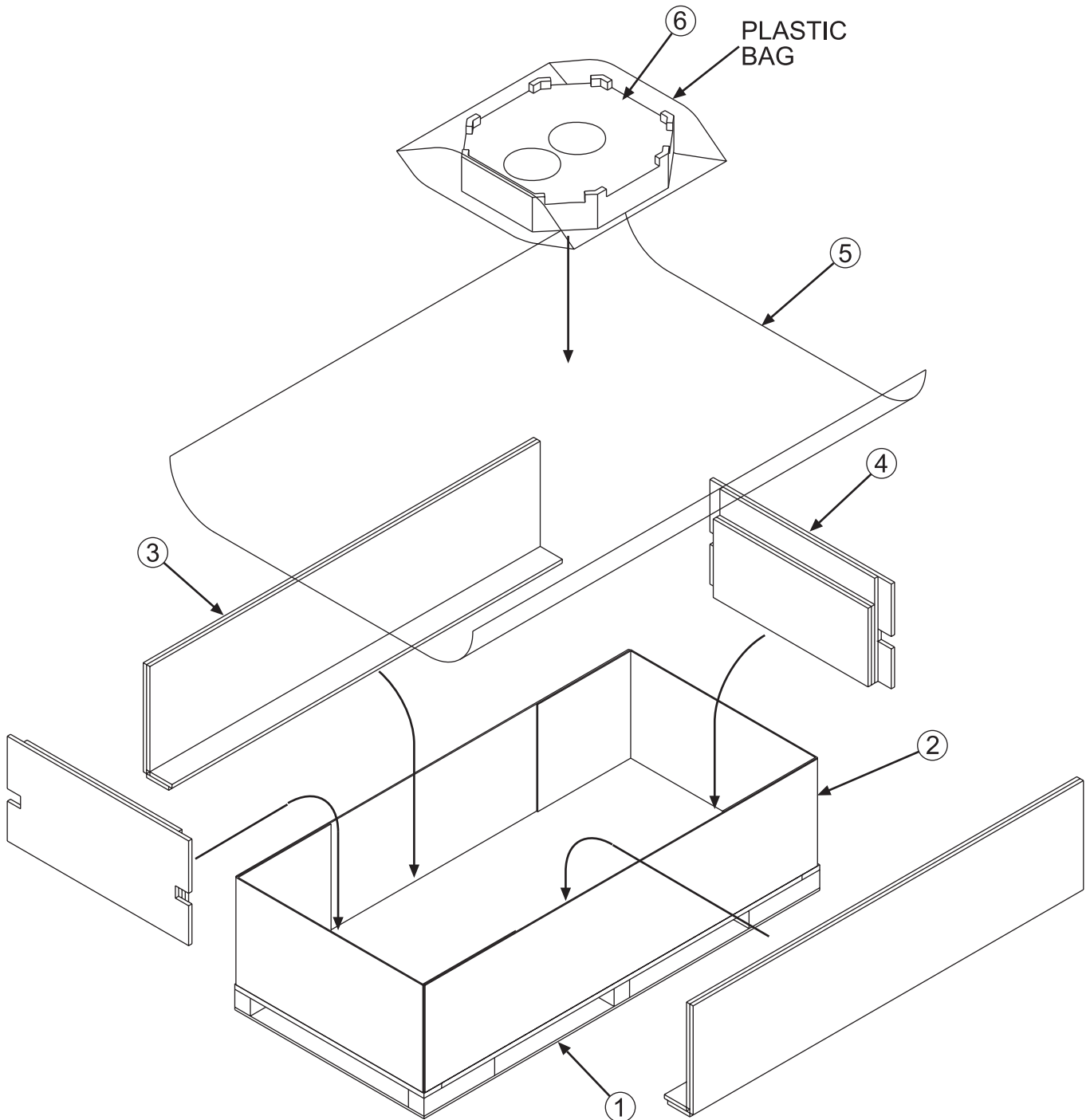


Booth Packaging Illustrations

Step 1

Bottom Box Preparation

ITEM	DESCRIPTION	PART No.
1	SKID 5000/6000	21938
2	BOX BOTTOM 5000/6000	21934
3	BOX SIDE PAD 5000/6000	21936
4	BOX END PAD 5000/6000	21797
5	PLASTIC SHEET	20160
6	BOOTH PEDESTAL	21589

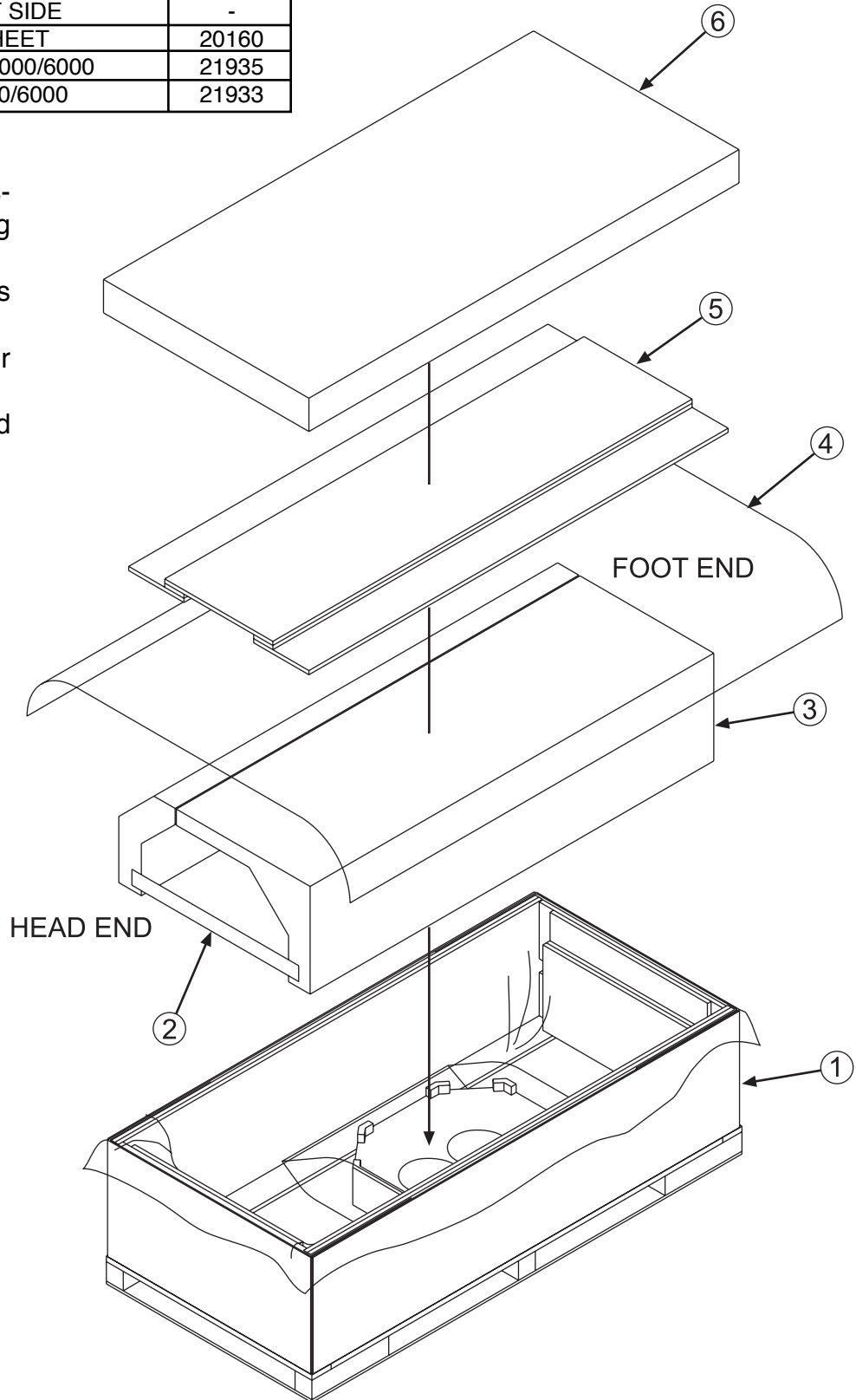


Step 2 Right Side Packaging

ITEM	DESCRIPTION	PART No.
1	BOTTOM BOX PREPARATION	-
2	SHIPPING BRACKET	21754
3	BOOTH LEFT SIDE	-
4	PLASTIC SHEET	20160
5	BOX TOP PAD 5000/6000	21935
6	BOX TOP 5000/6000	21933

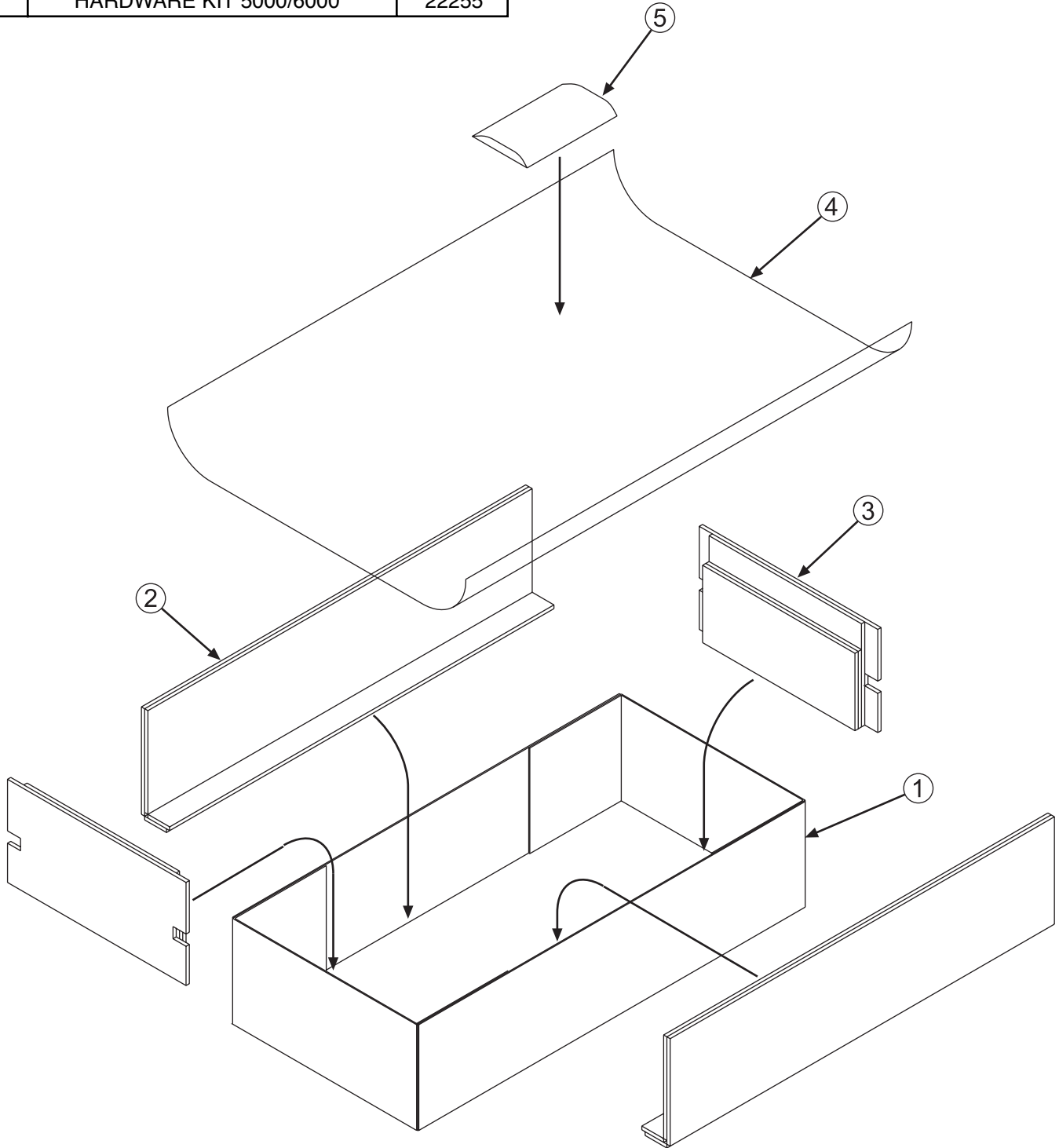
IMPORTANT: Before disassembling and packing your booth...

- install shipping brackets with four screws each
- remove outside door handles
- screw all casters and leveling feet into booth.



Step 3-1 Top Box Preparation

ITEM	DESCRIPTION	PART No.
1	BOX BOTTOM 5000/6000	21934
2	BOX SIDE PAD 5000/6000	21936
3	BOX END PAD 5000/6000	21797
4	PLASTIC SHEET	20160
5	HARDWARE KIT 5000/6000	22255

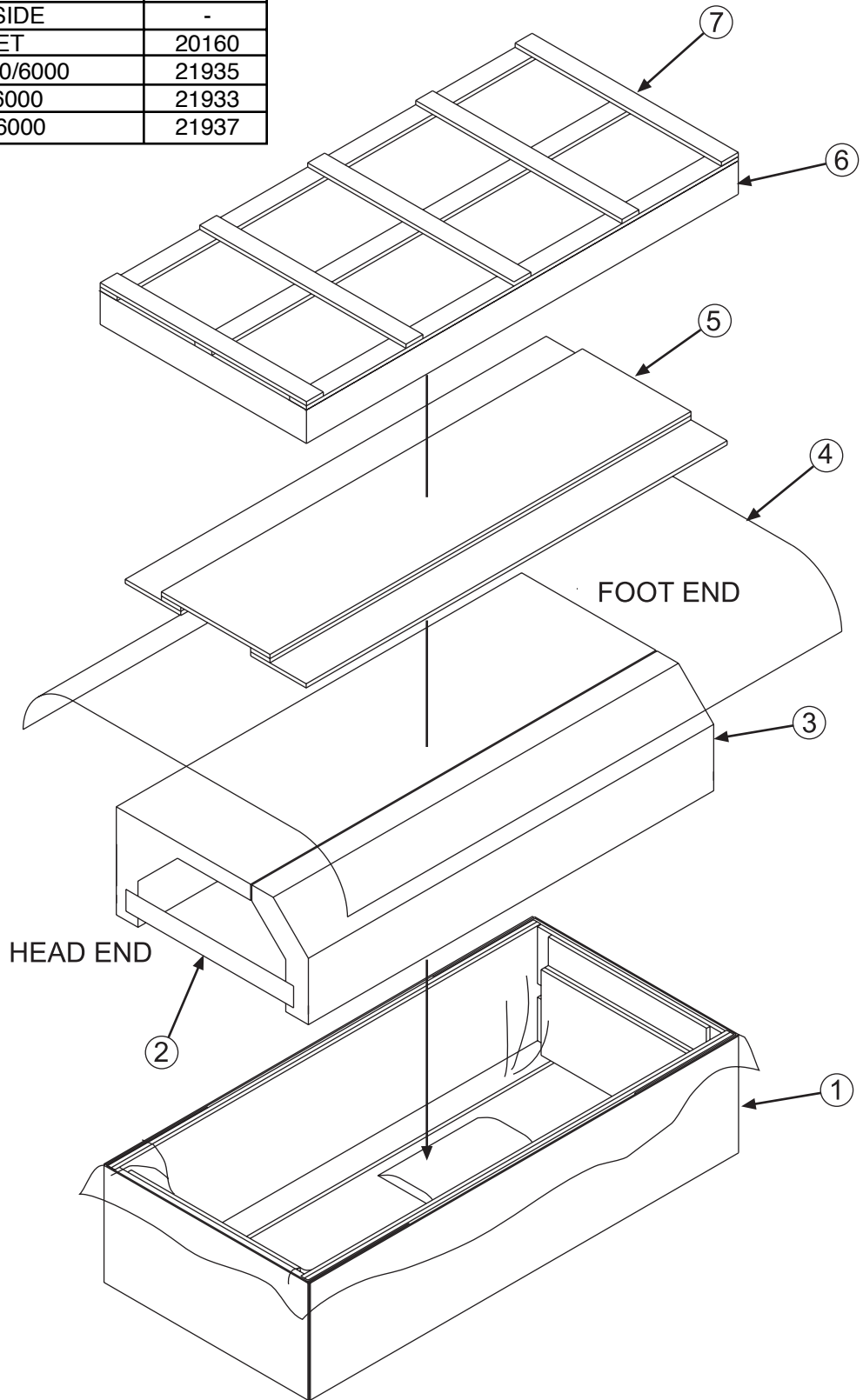


Step 3-2 RIGHT Half Packaging

ITEM	DESCRIPTION	PART No.
1	TOP BOX PREPARATION	-
2	SHIPPING BRACKET	21754
3	BOOTH RIGHT SIDE	-
4	PLASTIC SHEET	20160
5	BOX TOP PAD 5000/6000	21935
6	BOX TOP 5000/6000	21933
7	TOP SKID 5000/6000	21937

IMPORTANT: Before disassembling and packing your booth...

- install shipping brackets with four screws each
- remove outside door handles
- screw all casters and leveling feet into booth.



Step 4

Final Packaging

ITEM	DESCRIPTION	PART No.
1	UPPER PACKAGING	22582
2	LOWER PACKAGING	22581
3	BOOTH CORNER POST	21826
4	BOX LABEL	22004
5	BARCODE LABEL	20191
6	METAL STRAPPING	21353
7	BANDING CLAMP	21393
8	SERIAL NUMBER	21898

