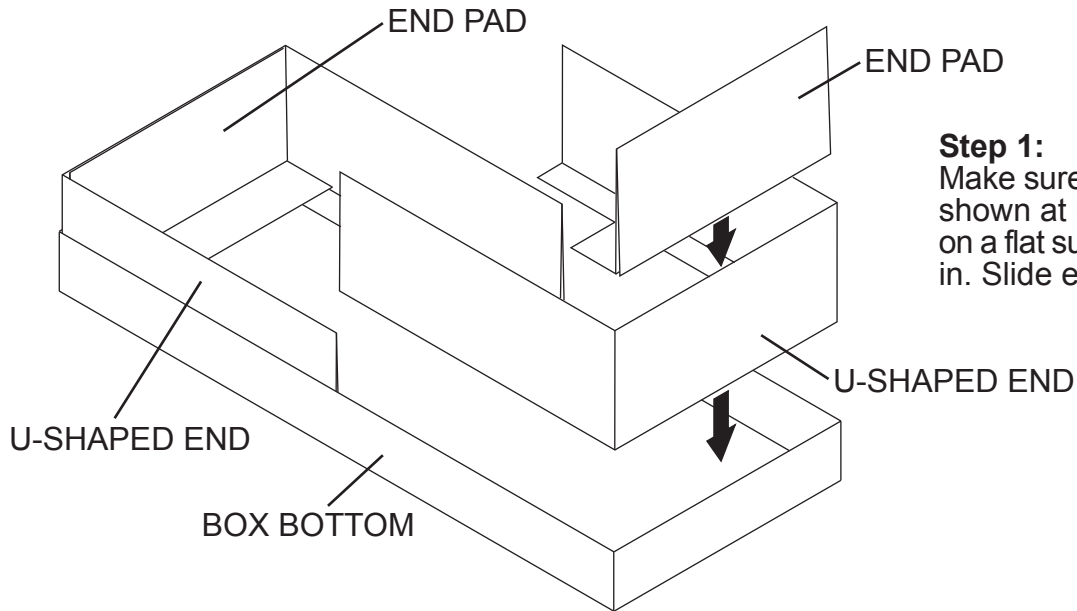
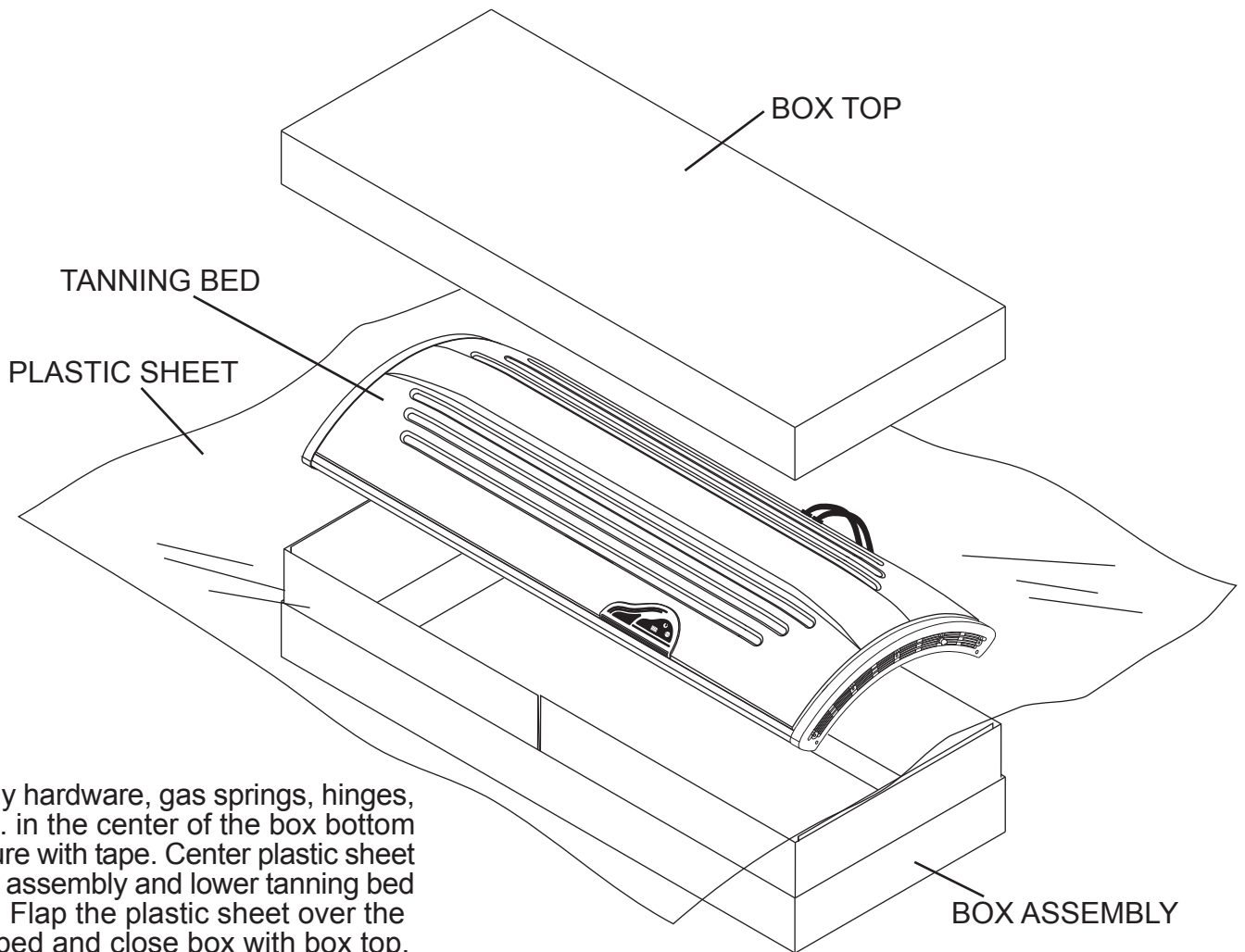


# Return Box Kit

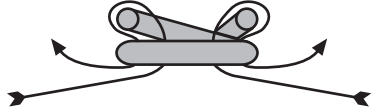
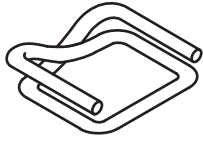
Please follow the instructions carefully to avoid damage when returning tanning beds. Damages incurred from improper packaging may result in additional charges to the sender.



**Step 1:**  
Make sure the box is assembled as shown at left. Put the box bottom on a flat surface. Put U-shaped ends in. Slide end pads in place.



**Step 2:**  
Place any hardware, gas springs, hinges, legs, etc. in the center of the box bottom and secure with tape. Center plastic sheet over box assembly and lower tanning bed into box. Flap the plastic sheet over the tanning bed and close box with box top.



STRAPPING DETAIL

**Step 3:** Band the box together with the plastic strapping and strapping clamps. Follow the banding instructions at left. Put two straps around the box and pull tight to secure the top.

