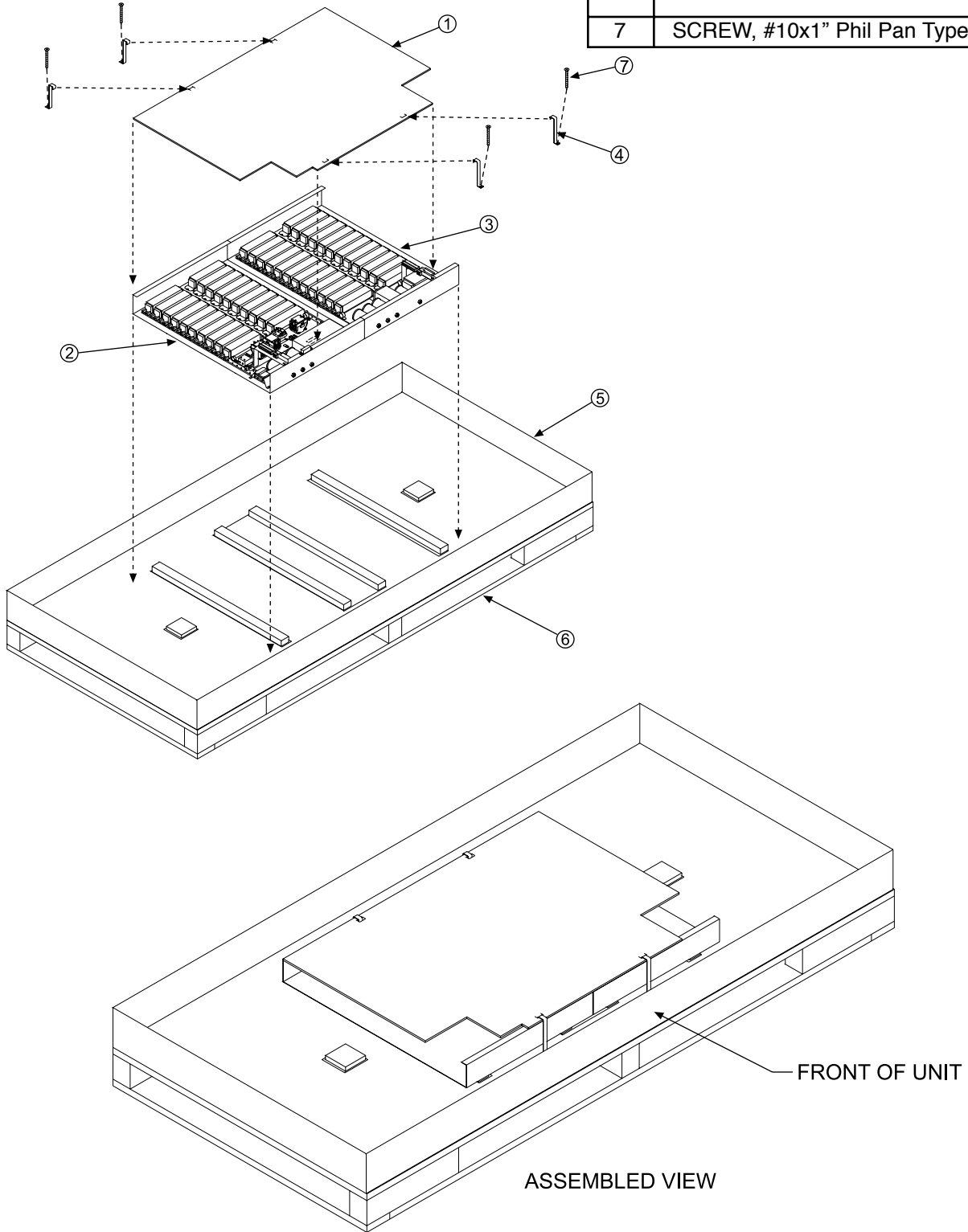


Packaging Illustrations

Step 1

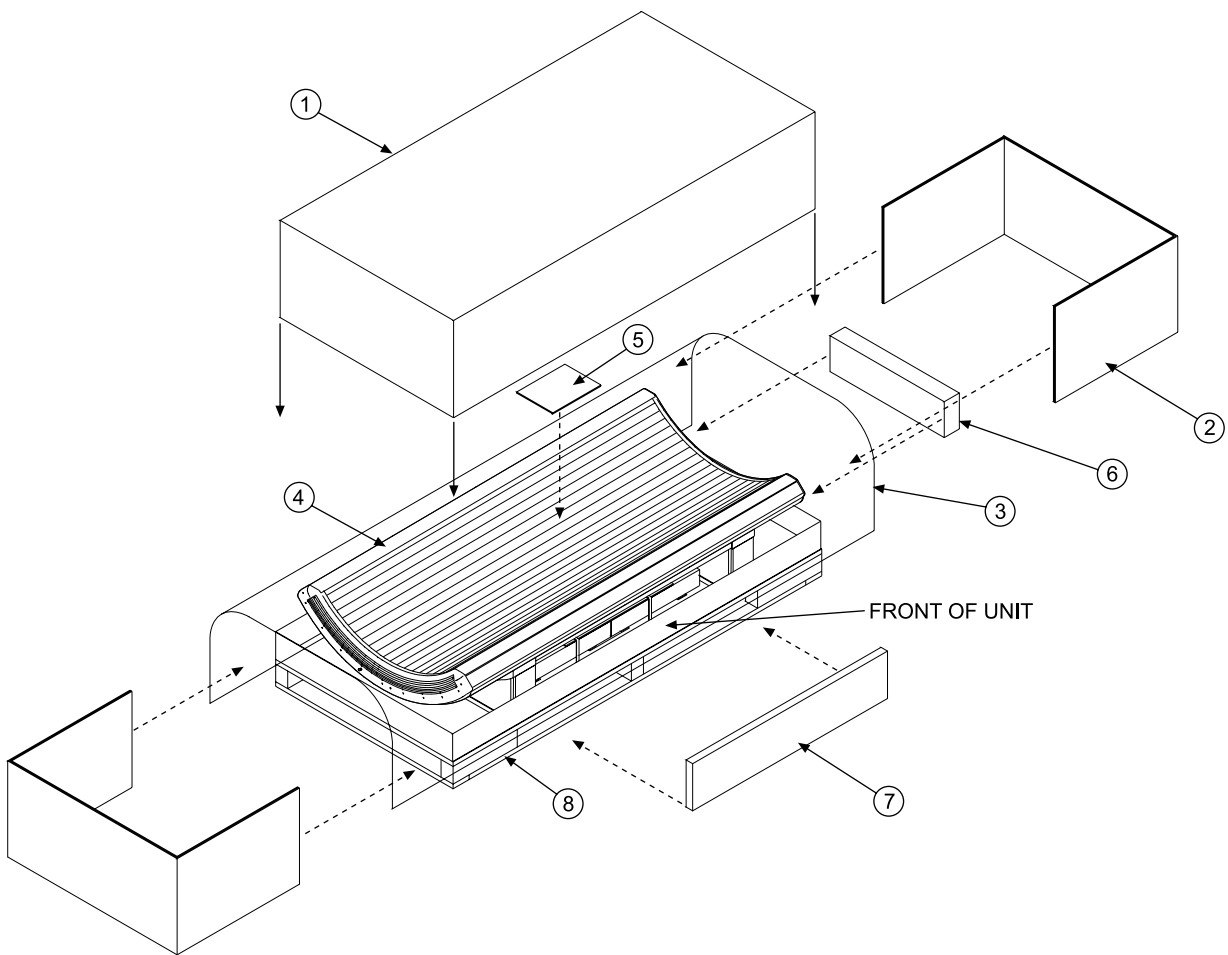
Ballast Tray Packaging

ITEM	DESCRIPTION	PART No.
1	BOX, BALLAST TRAY TOP 40/44	21871
2	ASSEMBLY, BENCH TRAY	-
3	ASSEMBLY, HOOD TRAY	-
4	BRACKET, TRAY HOLD-DOWN	21590
5	BOX, BENCH BOTTOM	21319
6	SKID, PACKING BOTTOM	21366 or 22290
7	SCREW, #10x1" Phil Pan Type AB	20141



Step 2 Bench Packaging

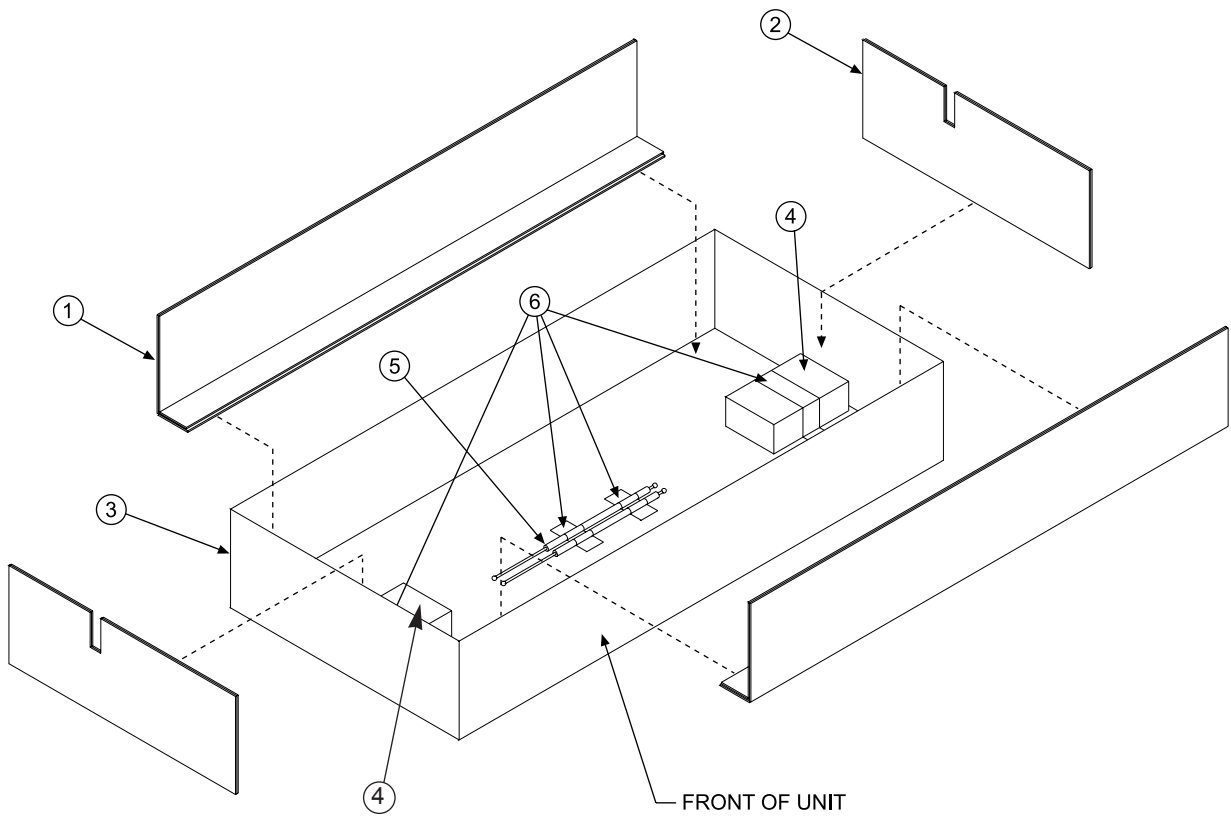
ITEM	DESCRIPTION	PART No.
1	BOX, BENCH TOP	21318
2	BOX, BENCH END	21320
3	SHEET, POLYETHYLENE FILM	21550
4	BENCH	-
5	USER MANUAL	-
6	KIT, HARDWARE ACCESSORIES	21360
7	ACCESS PANEL	21399
8	PACKING, TRAY	SH355



Step 3-1

Canopy Packaging

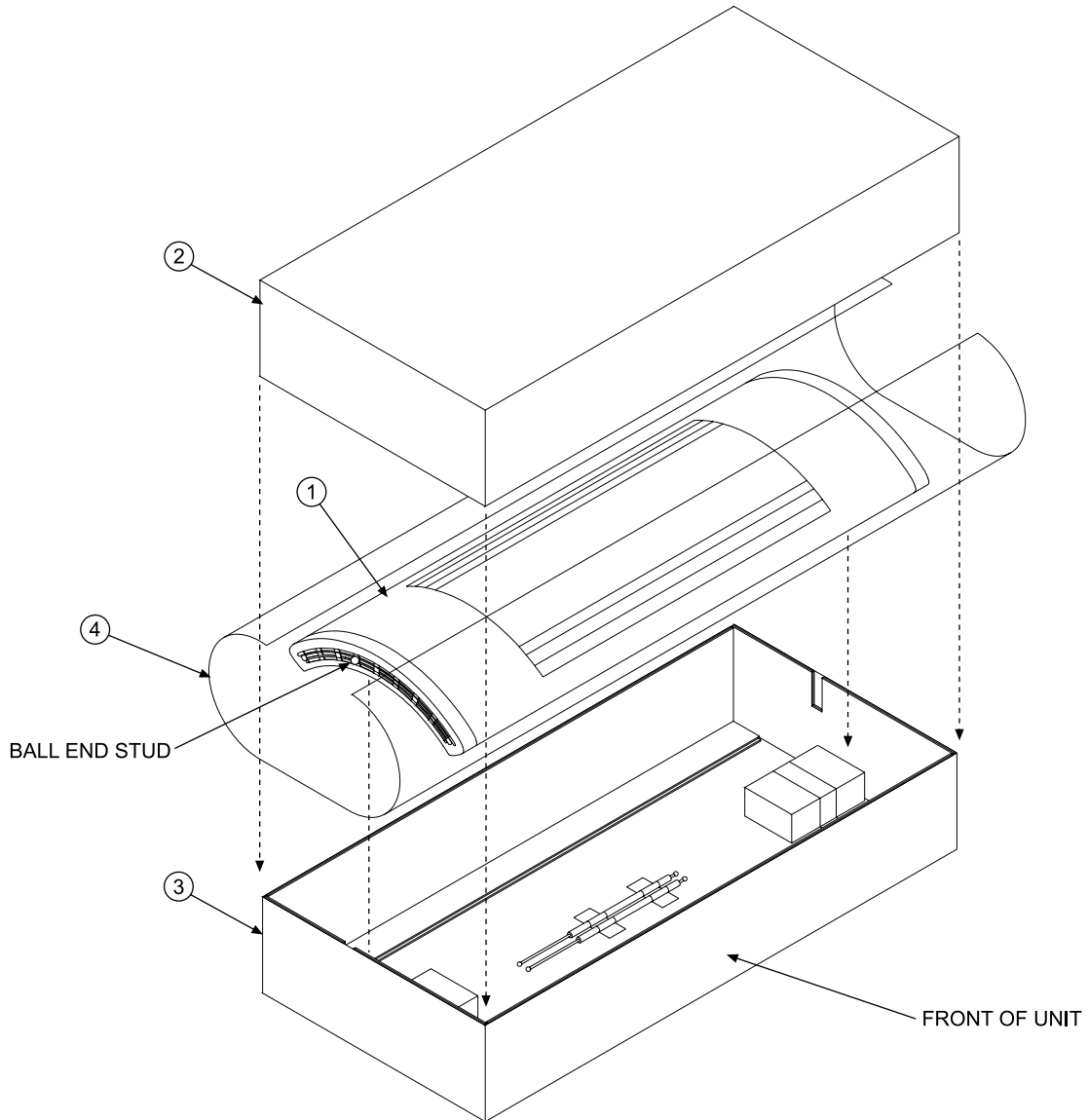
ITEM	DESCRIPTION	PART No.
1	BOX, HOOD SIDE	21316
2	BOX, HOOD END	21317
3	BOX, HOOD BOTTOM	21315
4	BOX, BODY FAN	21271
5	GAS SPRING, SUNSTAR 40/44	10522
6	TAPE, CELLOPHANE 40" (NOT INCLUDED)	10522



Step 3-2

Canopy Packaging

ITEM	DESCRIPTION	PART No.
1	CANOPY 40/44	-
2	BOX, HOOD TOP	21314
3	PACKAGING, BOTTOM HOOD	SH352
4	SHEET, POLYETHYLENE	21550



Step 4

Final Packaging

ITEM	DESCRIPTION	PART No.
1	PACKAGING, HOOD	SH353
2	PACKAGING, BENCH	SH354
3	PACKAGING, TRAY	SH355
4	SKID, TOP	21365
5	SCREW, #10	21549
6	CLAMP, BANDING	21393
7	STRAP, METAL PACKAGING	21353
8	POST, CORNER	21354

