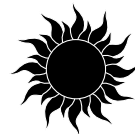




Procedure for Installation of Arm Stop Spacer for SunStar ZX32 Series Sunbeds

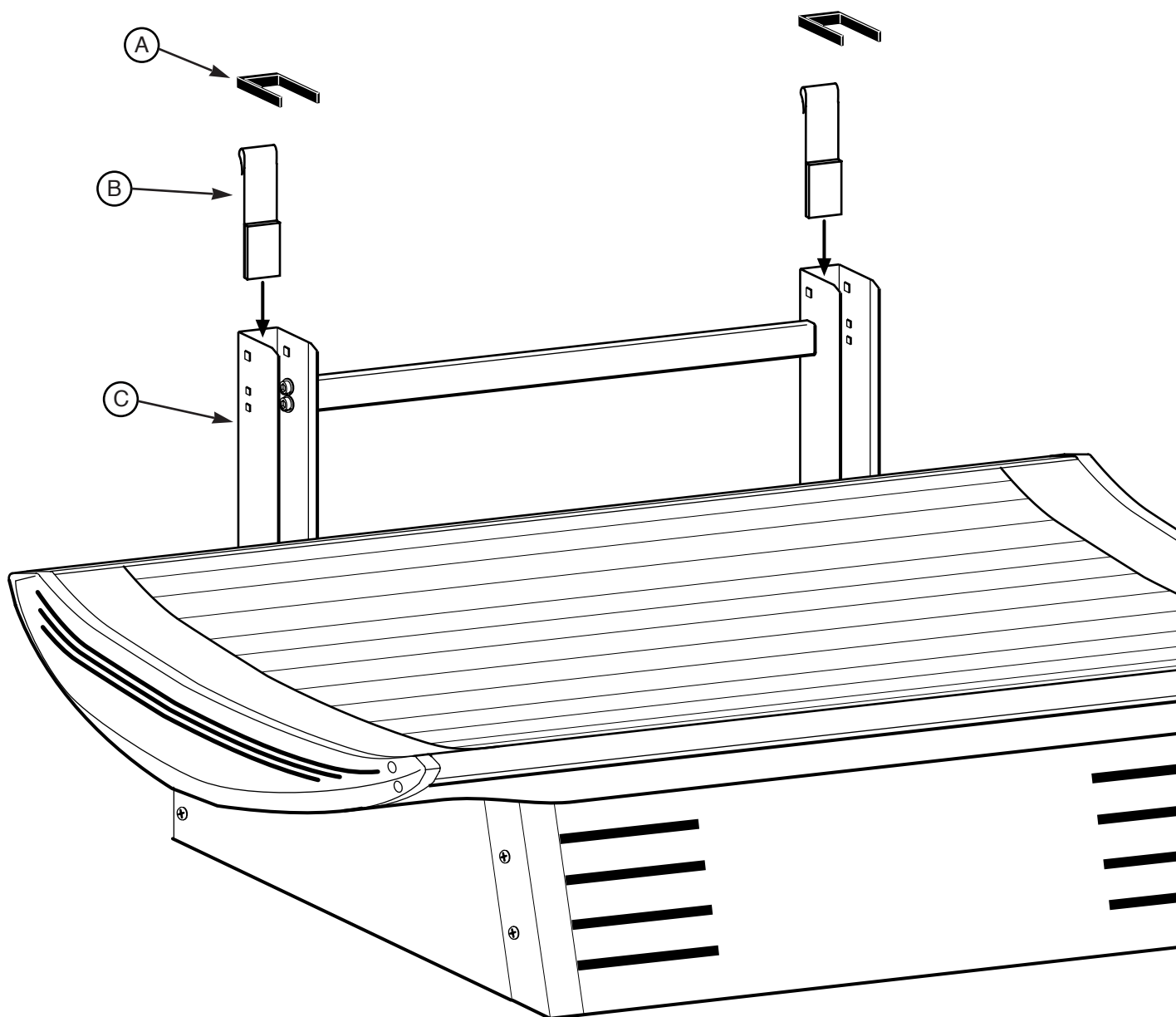


This arm stop spacer is a piece of final adjustment equipment for your sunbed. After reading through this installation procedure, you may determine this spacer to be unnecessary.

Look at the front of your sunbed. There should be approximately 2-1/2" to 3" of space between the bench and the canopy. If your canopy is too low, use this spacer to lift the front of the canopy and even out the spacing between the canopy and bench.

To install, take the black rubber leg caps (A) off of the stand legs. Have a helper lift the canopy about half way. Slide the arm stop spacer (B) down the inside channel of the stand leg (C), behind the canopy arm bracket, and clip on firmly. Reinstall the rubber leg caps (A).

IMPORTANT You must install both spacers. Installing only one will cause the canopy to twist, making it hard to open and close.



Canopy removed for clarity