

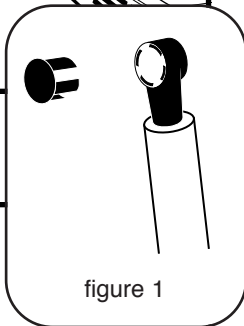
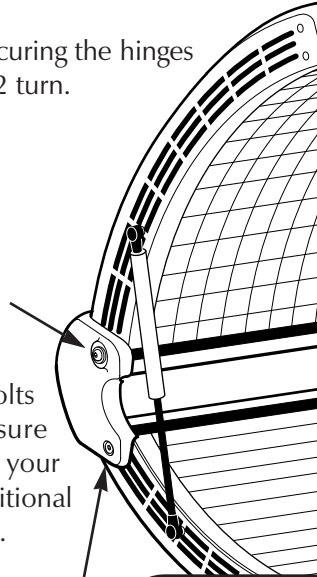
SunQuest® Installation and Replacement of Gas Springs

WARNING! Gas springs contain Nitrogen under high pressure. Failure to install exactly as per instructions may result in damage leading to failure of the gas spring and possible injury. Always replace both gas springs at the same time, even if only one appears to be worn or weak. Replacing only one gas spring may result in uneven load distribution leading to failure of either gas spring and possible injury.

Check bolts and screws

1. Check that the bolts securing the hinges are fully seated plus 1/2 turn.

Note! Check these bolts periodically to make sure they are secure. Refer to your Owner's Manual for additional service recommendations.



INSTALL NEW GAS SPRINGS

1. Remove the locking clips from the new gas springs. (See figure 1)
2. Align open ends of gas spring ball joints with pivot studs and gently tap into place. Be sure the rod end is down as shown. Replace locking clips.

IMPORTANT! DO NOT lower canopy until both gas springs are in place and the locking clips are installed! Failure to install locking clips may result in the ball joints working loose, allowing the canopy to fall, which may cause serious injury!

Remove old gas springs

(If applicable)

1. Have a helper hold the canopy in its fully open position.
2. Remove the locking clips from the top and bottom of both gas springs. (See figure 1)
3. Pull the gas springs from the pivot studs. You may need to gently tap the ball joints to dislodge them from the pivot studs.

BALL JOINT
PIVOT STUD

OPERATION

1. Lift and lower the canopy a few times to lubricate the seal inside the spring. Keep the canopy closed when not in use.
2. The gas springs should hold the canopy fully open as well as allow it to rest fully closed. If the canopy is left open for an extended period of time some creep down may occur. This is considered normal. Springs are not designed to hold the canopy in a half-open position.