


# SUNVISION ZX30 series

Sample Nameplate (ZX30-3F shown)

**MODEL: N-ZX30-3FH**  
**U= 220 V 60 Hz P= 4840 W**  
**I= 22 A Pf  $\phi$  = >0.9 Phase 1**  
**MFG. DATE: (month) (year)**  
**S/N XXXXXXXXXX**  
  
**ETS, INC. INDIANAPOLIS, IN.**

**\*\*IMPORTANT**  
**Voltage must be below 230V AC (loaded) or may require a Buck-Booster.**  
**This equipment must be grounded.**

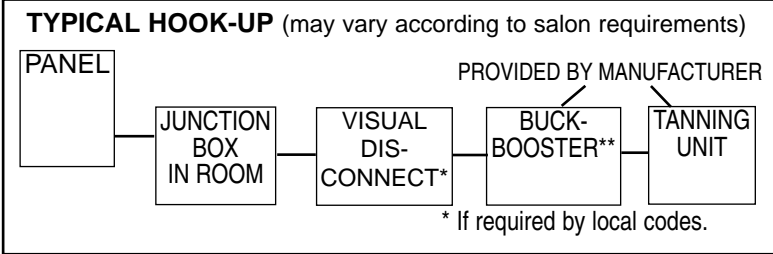
## Electrical Requirements

- The **SUNVISION® ZX30 series** operates from a 220V AC power source. Connect the unit to a dedicated circuit capable of handling 30Amps. This unit must be hardwired directly to a junction box (or buck-booster\*\*).
- A flexible power cable (10/3 AWG) exits the back of the unit. A junction box (or buck-booster if needed\*\*) must be positioned within 5' (1.5m) of the center of where the unit will be positioned (see illustration, bottom).
- The T-Max® cable (RJ-22) enters the unit at the same point as the power cable (see illustration bottom).

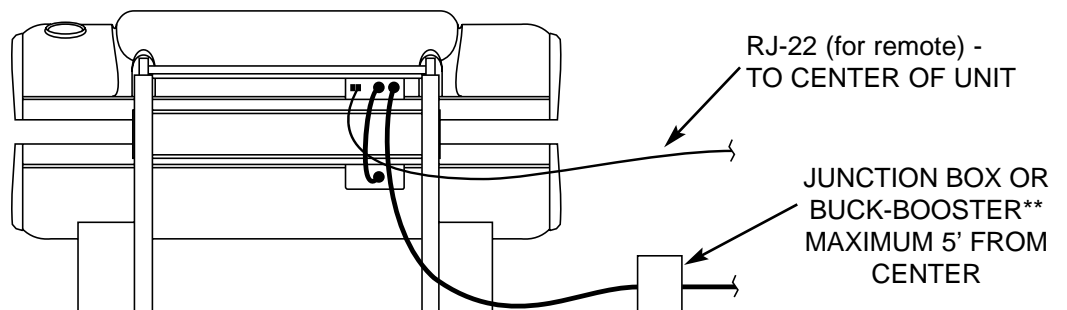
**WARNING**  
**To maintain your T-Max® warranty use only approved modular cables, available from T-Max® or ETS, Inc., connected in a "daisy chain" fashion.**



This product is in conformity with performance standards for sun lamp products under 21 CFR PART 1040.20 and ANSI/UL Standard 482. Certified to CAN/CSA Standard C22.2 NO. 224.

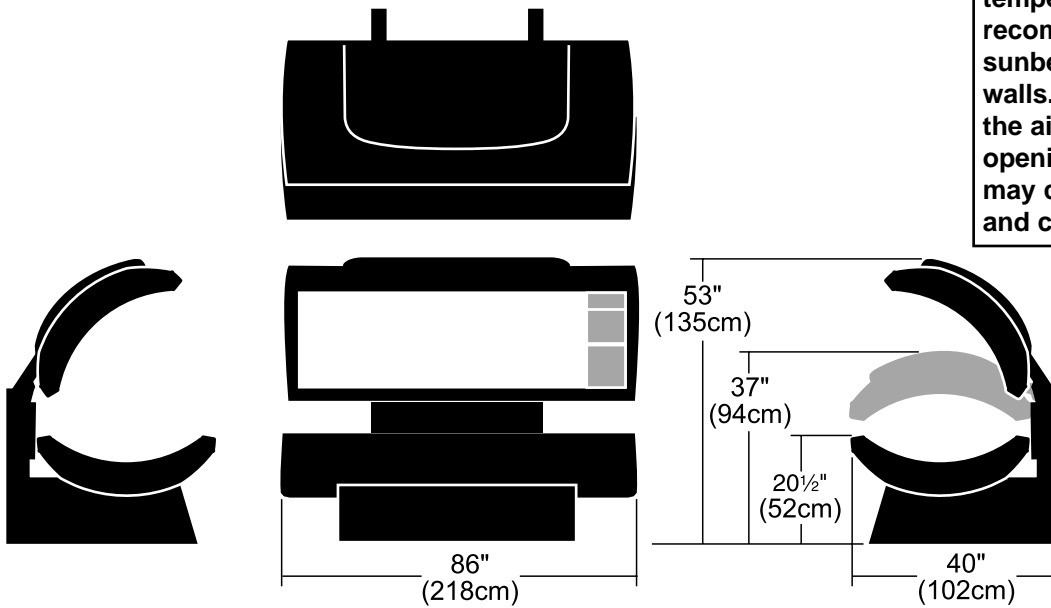


REAR OF UNIT SHOWN



# Spec Sheet - ZX30 continued

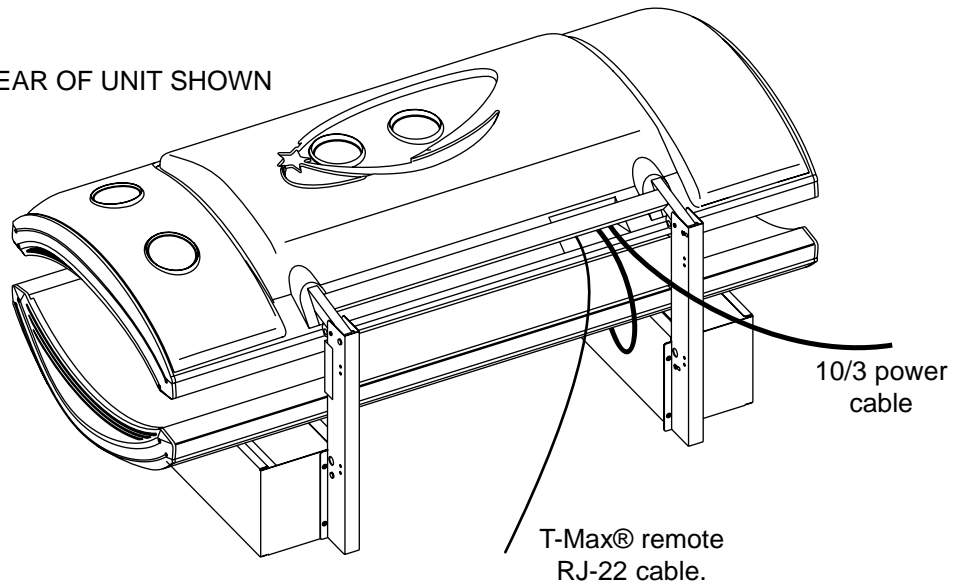
## Physical Specs



**⚠ CAUTION**  
 Air from the room is used to cool the unit. Maximum ambient room temperature should be 80°F. It is recommended that you place your sunbed no closer than 6" from side walls. Make sure nothing obstructs the airflow into or out of the fan openings. A poorly ventilated room may cause the unit to become hot and cause discomfort to the user.

Overall Size	See above	
Minimum Room Size	6'D x 8'-2"W (1.8m x 2.5m)	
Recommended Room Size	7'D x 9'W (2.1m x 2.7m)	
Weight	ZX30: 469lbs (213kg)	ZX30-3F: 476lbs (216kg)
Recommended A/C Tonnage (room)	ZX30: 1.06	ZX30-3F: 1.37
Remote Cable	RJ-22 to center, back	

REAR OF UNIT SHOWN



**CALL FOR SERVICE OR QUESTIONS: 1 • 800 • 449 • 3605**  
 7445 Company Drive, Indianapolis, IN 46237-9296