

Legend 448

Sample Nameplate


MODEL: WA0-448-4F

U= 230 V 60 Hz P= 9453 W

I= 25/43 A Pf Φ = >0.9 Phase 3/1

MFG. DATE: (month) (year)

S/N XXXXXXXXX



ETS LLC. 7445 COMPANY DR. INDIANAPOLIS, IN. 46237

Located directly above junction box on back of unit and on USB extension cable at foot end.

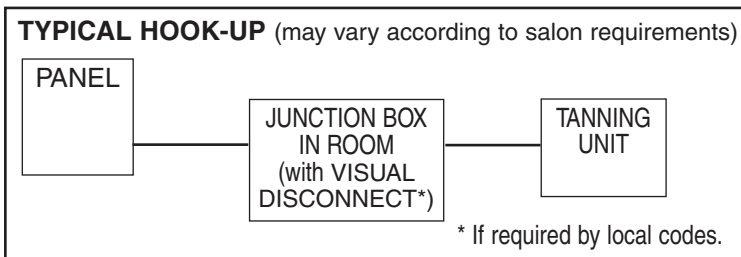
****IMPORTANT**

Voltage must be between 215-245V AC (loaded) or may require a Buck-Booster.

This equipment must be grounded.



This product is in conformity with performance standards for sun lamp products under 21 CFR PART 1040.20 and ANSI/UL Standard 482. Certified to CAN/CSA Standard C22.2 NO. 224.



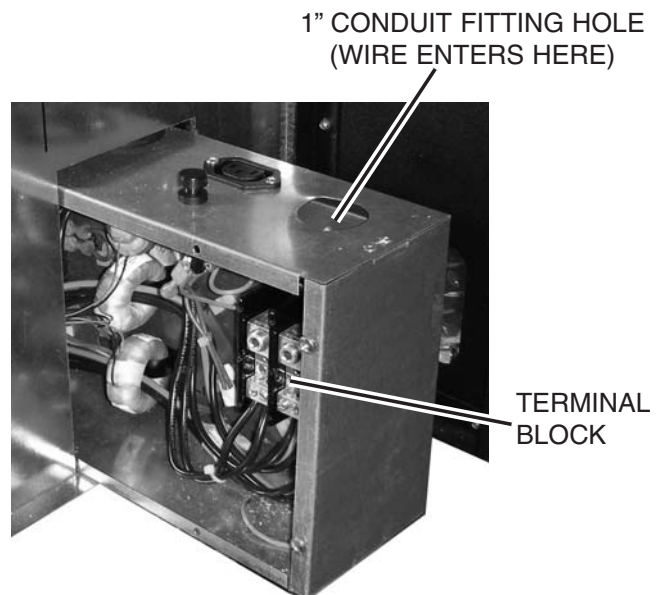
Electrical Requirements

- The **Legend™ 448** operates from either a 3-phase (three wire plus ground) or 1-phase (two wire plus ground) 220V AC power source**. The unit should be wired to a dedicated circuit. The unit draws 25A, 3-phase or 43A, 1-phase. Minimum recommended circuit breakers are 35A and 60A respectively.
- On the back of the bed, at the foot end, is a junction box that protrudes through the back panel (see illustration below). **No power cord supplied.** The conduit fitting hole is sized for a 1" fitting. Be sure to provide a proper strain relief for the incoming power line.
- Connect T-Max® cables (RJ-22 for wired or RJ-11 for wireless module) to the unit directly above the power connection box.

WARNING

To maintain your T-Max® warranty use only approved modular cables or wireless modules, available from T-Max® or ETS, LLC.

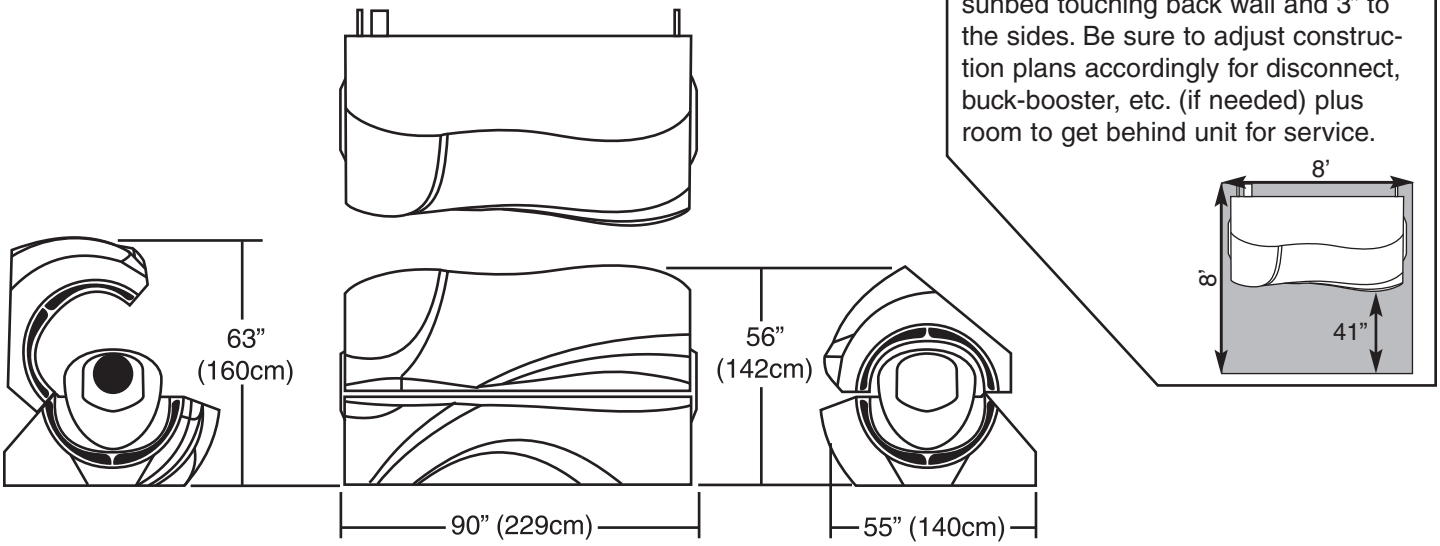
JUNCTION BOX WITH COVER REMOVED



Spec Sheet - 448 continued

Physical Specs

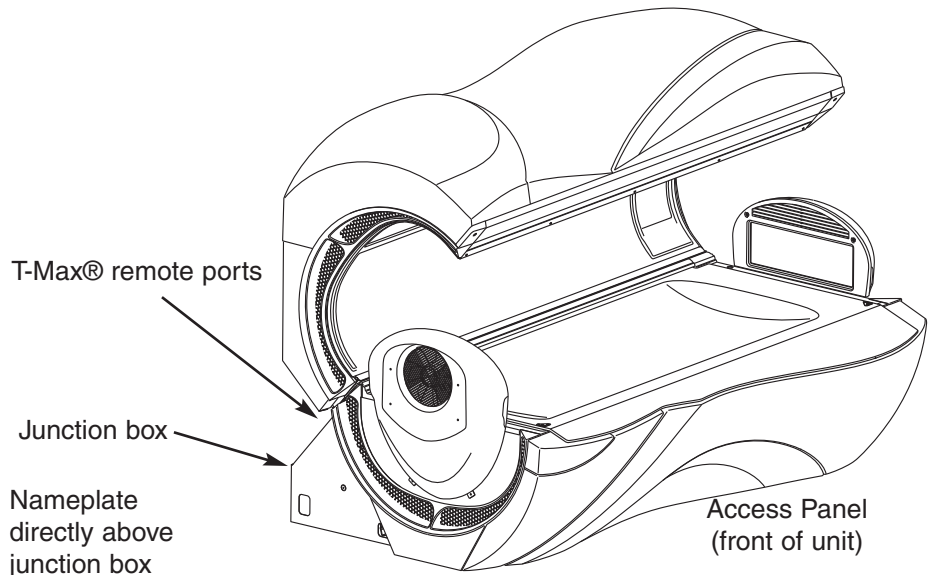
*** NOTE:** Minimum room size assumes sunbed touching back wall and 3" to the sides. Be sure to adjust construction plans accordingly for disconnect, buck-booster, etc. (if needed) plus room to get behind unit for service.



Overall Size	See above
Recommended Room Size	9'L x 9'W (2.7m x 2.7m)
Minimum Room Size*	8'L x 8'W (2.4m x 2.4m)
Weight	910 lbs (414kg)
Remote Cable	RJ-22 to foot end back
Recommended A/C Tonnage	1.25

⚠ CAUTION

Air from the room is used to cool the unit. Maximum ambient room temperature should be 80°F. It is recommended that you place your sunbed no closer than 3" from side walls. Make sure nothing obstructs the airflow into or out of the fan openings. A poorly ventilated room may cause the unit to become hot and cause discomfort to the user.



CALL FOR SERVICE OR QUESTIONS: 1•800•449•3605
7445 Company Drive, Indianapolis, IN 46237-9296