


e1 series

Sample Nameplate (e1 3-face shown)

MODEL: XA0-E1-3F20B
U= 220 V 60 Hz P= 4452 W
I= 12/20 A Pf Φ = >0.9 Phase 3/1
MFG. DATE: (month) (year)
S/N XXXXXXXXX

 ETS LLC. 7445 COMPANY DR. INDIANAPOLIS, IN. 46237

****IMPORTANT**
Voltage must be between 200V and 245V AC (loaded) or may require a Buck-Booster.
This equipment must be grounded.



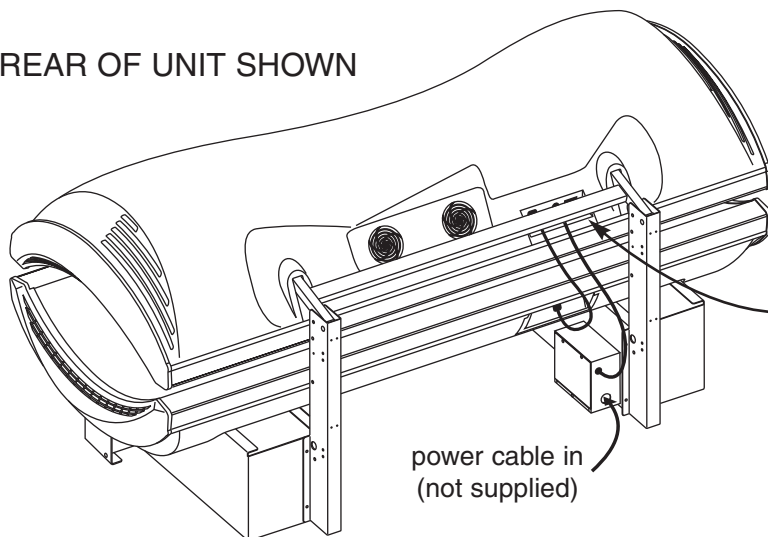
This product is in conformity with performance standards for sun lamp products under 21 CFR PART 1040.20 and ANSI/UL Standard 482.
 Certified to CAN/CSA Standard C22.2 NO. 224.

Electrical Requirements

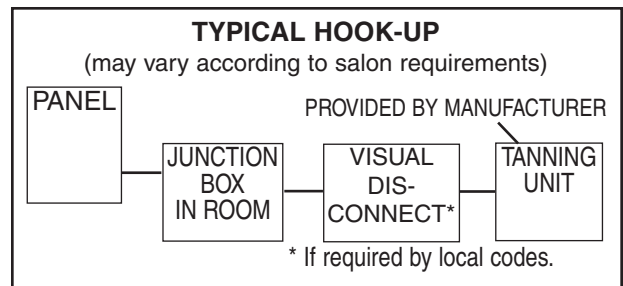
- The **e1 series** operates from either a 3-phase (three wire plus ground) or 1-phase (two wire plus ground) 220V AC power source**. The unit should be wired to a dedicated circuit. The no-face unit draws 8A, 3-phase or 15A, 1-phase. The 3-face unit draws 12A, 3-phase or 20A, 1-phase. Minimum recommended circuit breakers are 20A 1P and 30A 3P (20A 3P for no-face model) respectively.
- On the back of the bed, at the base of the pedestal, is a junction box (see illustration below). **No power cord supplied.** The conduit fitting hole on the box is sized for a 1" conduit fitting. Be sure to provide a proper strain relief for the incoming power line.
- The T-Max® cable (RJ-22) enters the unit on the back of the canopy (see illustration bottom).

WARNING
To maintain your T-Max® warranty use only approved modular cables or wireless modules, available from T-Max® or ETS, LLC.

REAR OF UNIT SHOWN

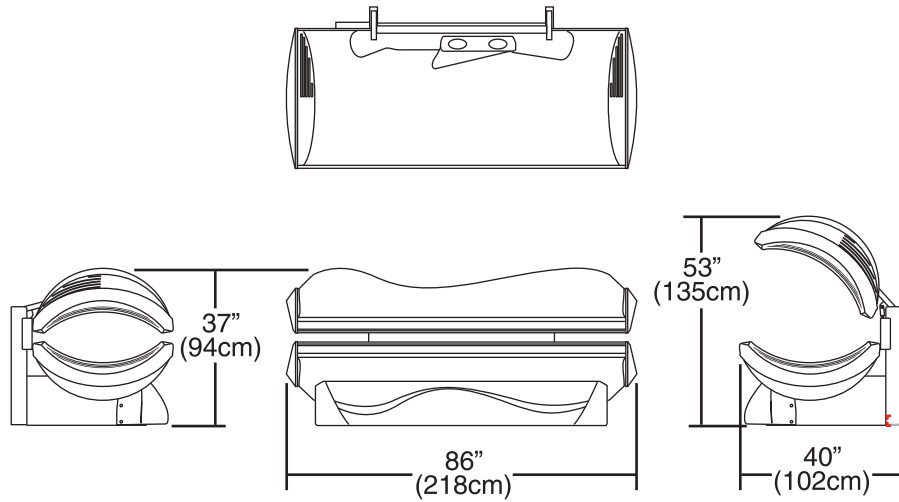


T-Max® remote RJ-22 cable.



Spec Sheet - Sunvision Elite continued

Physical Specs

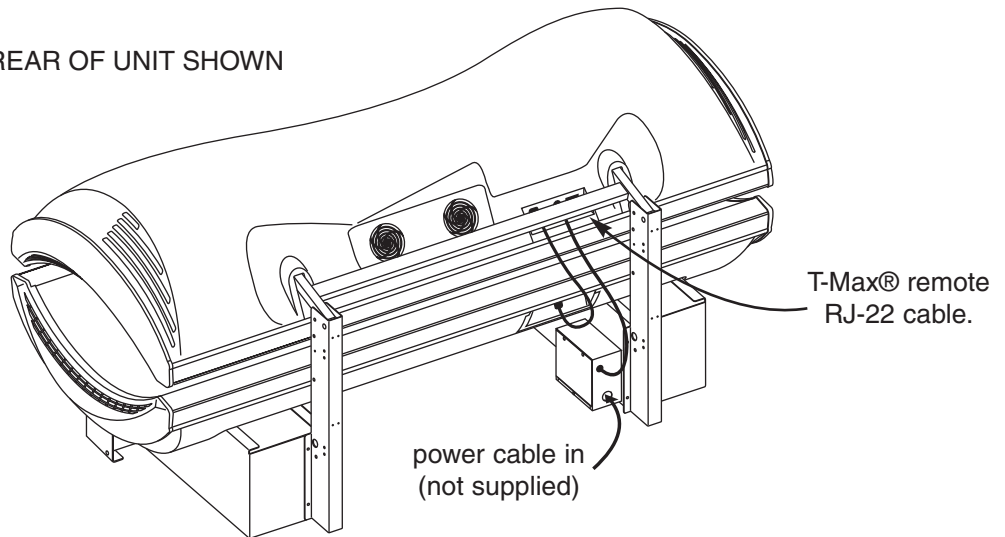


CAUTION
 Air from the room is used to cool the unit. Maximum ambient room temperature should be 80°F. It is recommended that you place your sunbed no closer than 6" from side walls. Make sure nothing obstructs the airflow into or out of the fan openings. A poorly ventilated room may cause the unit to become hot and cause discomfort to the user.

TIP:
 Place a 4" block behind the pedestals to prevent the bed from damaging the back wall.
 2x6s work great.

Overall Size	See above	
Recommended Room Size	9'L x 7'W (2.7m x 2.1m)	
Minimum Room Size	8'-2"L x 6'W (2.5m x 1.8m)	
Weight	No-face: 338lbs (154kg)	3-face: 345lbs (157kg)
Recommended A/C Tonnage (closed room)	No-face: 0.5	3-face: 0.75
Remote Cable	RJ-22 to center, back	

REAR OF UNIT SHOWN



CALL FOR SERVICE OR QUESTIONS: 1•800•449•3605
 7445 Company Drive, Indianapolis, IN 46237-9296