

BUCK-BOOSTERS

Electrical Requirements

Due to the fact that AC line voltages fluctuate from location to location, often times a Buck-Booster is needed to provide ETS, Inc. tanning equipment with proper operating voltage. Check voltage across the “hot” legs of the input line at the tanning unit while it is running. Although the UV output raises with higher voltages, running the unit above 230VAC may damage some components, shorten the life of the unit and will void the warranty.

Below is a list of Buck-Booster recommendations for ETS, Inc. tanning equipment. All Buck-Boosters sold by ETS, Inc. arrive ready to hook-up to the unit. See next page for size and wiring diagrams.

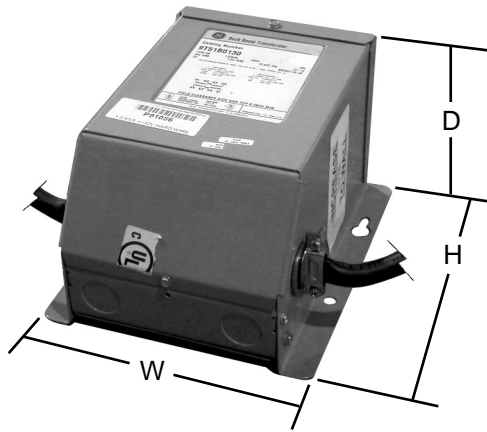
****IMPORTANT**

Voltage must be below 230V AC (loaded) or may require a Buck-Booster.

Equipment must be grounded.

Tanning Unit	Buck-Booster
1999-Present SunQuest® units (24RS through 26RS series) -----	-0.5kVA w/ NEMA#6-20 plug
1999-Present SUNVISION® 24S series -----	-0.5kVA w/ NEMA#6-20 plug
1999 SUNVISION 28LX series -----	-1.0kVA w/ NEMA#L6-30 plug
2000-Present SUNVISION 28LE series -----	-1.0kVA w/ NEMA#L6-30 plug
1999-2002 SunStar® ZX30 series -----	-1.0kVA hardwired
2003-2004 SUNVISION ZX30 series -----	-1.0kVA hardwired
1999-2003 SunStar® ZX32 series -----	-1.0kVA hardwired
2004-Present SunStar 332 series -----	-1.0kVA hardwired
2004-Present SunStar 432 series -----	-1.5kVA hardwired
1999-2001 SOLARIS® 36 series -----	-1.5kVA hardwired
2005-Present 336 -----	-1.5kVA hardwired
1999-2003 SOLARIS Plus 42 -----	-1.5kVA hardwired
2004-Present SOLARIS 442 -----	-1.5kVA hardwired
1999-2003 StarPower® 52 -----	-1.5kVA hardwired
2004-Present StarPower 548 -----	-1.5kVA hardwired
2004-Present SolarForce® 648 -----	-2.0kVA hardwired
2003-Present SS755 (3-Phase, recommended) -----	-2 x 1.5kVA hardwired
2003-Present SS755 (1-Phase) -----	-3.0kVA hardwired
2003-Present Velocity 918HP (3-Phase) -----	-2 x 3kVA hardwired
1999-2003 SunDome® XL48 booth -----	-1.5kVA hardwired
2004-Present SunDome 548V booth -----	-1.5kVA hardwired
2004-Present SolarForce® 652V booth -----	-2.0kVA hardwired
2004-Present SS756V booth (3-Phase, recommended) -----	-2 x 1.5kVA hardwired
2004-Present SS756V booth (1-Phase) -----	-3.0kVA hardwired

Spec Sheet - Buck-Boosters continued



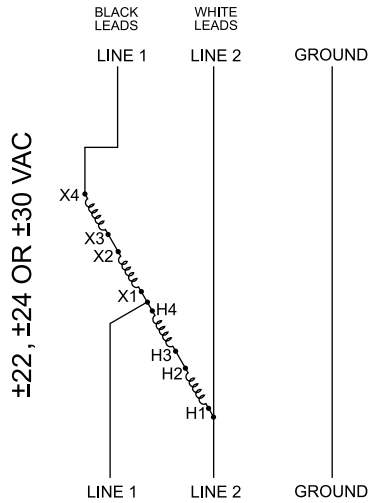
(1.5kVA shown. Typical shape.)

Physical Size (see above)

Buck-Booster	W	D	H
0.5kVA	7"	4.75"	8.25"
1.0kVA	8"	5.25"	9.5"
1.5kVA	9.5"	6.75"	11"
3.0kVA	9.5"	6.75"	13"
2 x 1.5kVA	9.5"	13.5"	11"

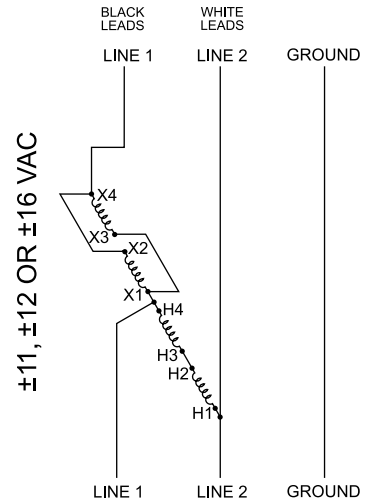
WIRE DIAGRAMS FOR SINGLE PHASE

THIS SIDE TO UNIT FOR BOOST

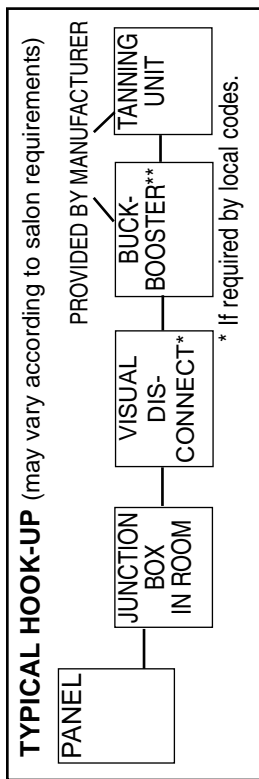


THIS SIDE TO UNIT FOR BUCK

THIS SIDE TO UNIT FOR BOOST

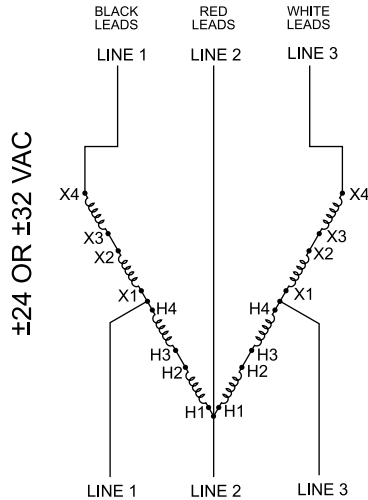


THIS SIDE TO UNIT FOR BUCK



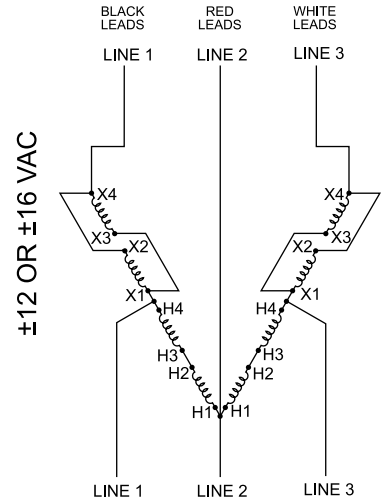
WIRE DIAGRAMS FOR THREE PHASE

THIS SIDE TO UNIT FOR BOOST



THIS SIDE TO UNIT FOR BUCK

THIS SIDE TO UNIT FOR BOOST



THIS SIDE TO UNIT FOR BUCK



CALL FOR SERVICE OR QUESTIONS: 1 • 800 • 449 • 3605
7445 Company Drive, Indianapolis, IN 46237-9296