



Velocity 918HP

Sample Nameplate

(Location shown in illustration on reverse)

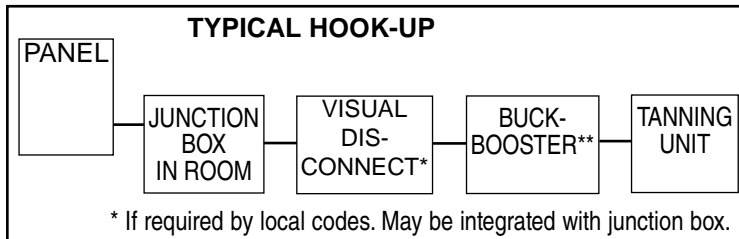
| | |
|---|-------------------------|
| Manufactured by | |
|  | |
| 16016 Campoligure - Genoa - Italy | |
| Model | VELOCITY mod. UP |
| Serial Number | YBU0302xxxx |
| Date | (month) (year) |
| Electrical Power | 25.0 kVA - 65A |
| Power Supply | 220V 3 Phase |
| Frequency | 60 Hz |
| Session Time | 15 Min. Max |
| Lamps | Heraeus OH50/100 |
|  | |
| Made in Italy | |

Electrical Requirements

- The **Velocity® 918HP** sunbed operates from a 3-phase (three wire plus ground) 220V AC power source. The unit should be wired to a dedicated circuit. The unit draws 65A, 3-phase with a <90 second 92A start-up surge that will prompt most electricians to choose a 100A circuit breaker.
- No power cord supplied. You must run cable to the terminal block inside the unit (see illustration below).
- A T-Max® 3A is supplied to interface with the unit (see illustration below). The salon T-Max® cable (RJ-22) plugs into the 3A, which may be placed anywhere in the room accessible to the tanner. The 3A requires a standard 110V AC outlet.

WARNING

To maintain your T-Max® warranty use only approved modular cables, available from T-Max® or ETS, Inc., connected in a "daisy chain" fashion.

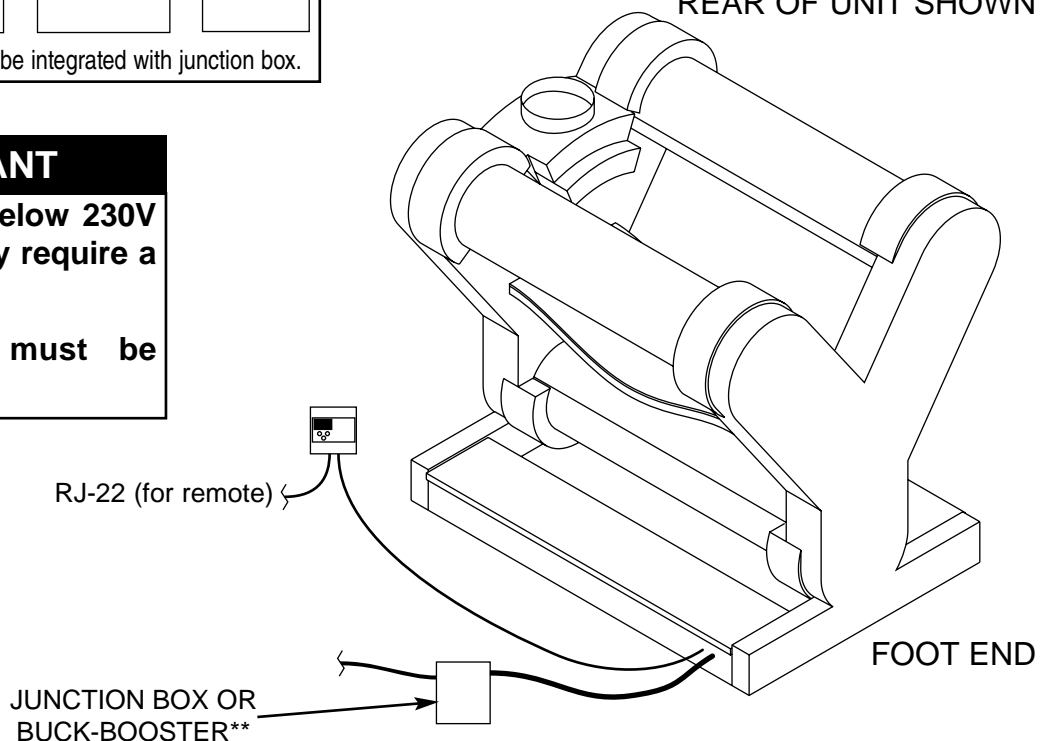


**IMPORTANT

Voltage must be below 230V AC (loaded) or may require a Buck-Booster.

This equipment must be grounded.

REAR OF UNIT SHOWN

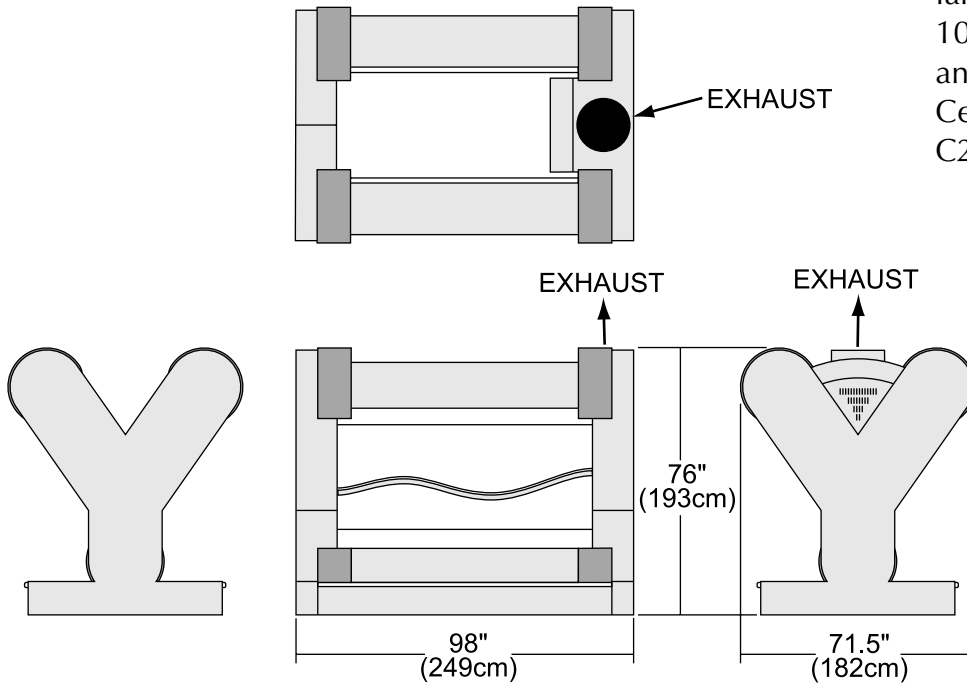


Spec Sheet - Velocity 918HP continued

Physical Specs

This product is in conformity with performance standards for sun lamp products under 21 CFR PART 1040.20, ANSI/UL Standard 482 and UL Standard 1598.

Certified to CAN/CSA Standard C22.2 NO. 224 and 250.0.

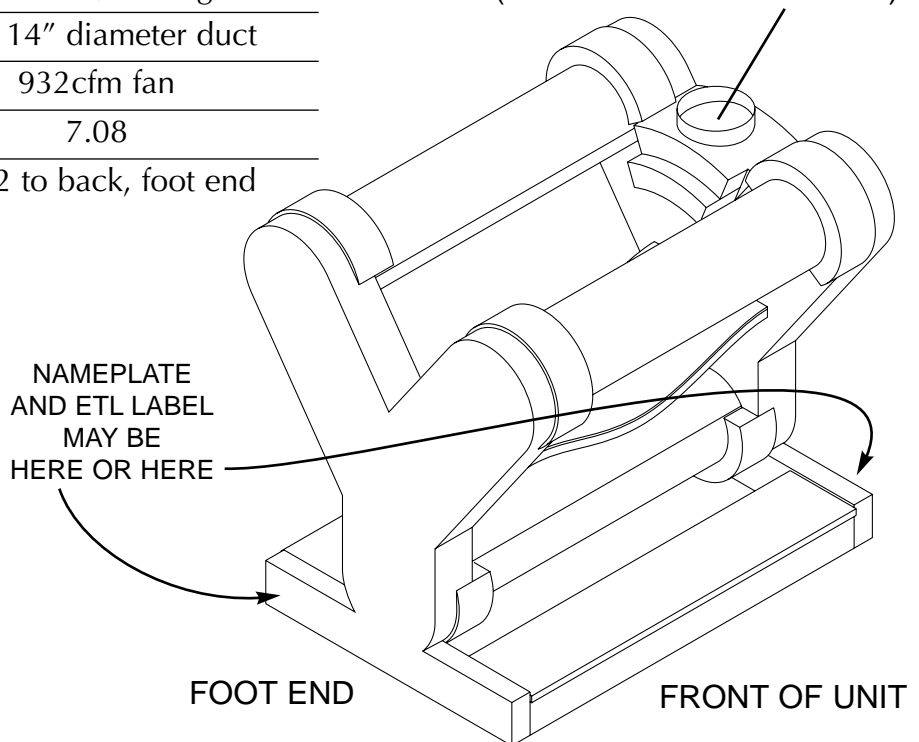


| | |
|--------------------------------|-------------------------|
| Overall Size | See above |
| Minimum Room Size | 11' x 9' (3.4m x 2.7m) |
| Weight | 1585lbs (720.5kg) |
| Exhaust | One 14" diameter duct |
| Exhaust cfm | 932cfm fan |
| Recommended A/C Tonnage (room) | 7.08 |
| Remote Cable | RJ-22 to back, foot end |

CONNECT 14" FLEXIBLE DUCT HERE
(10' SUPPLIED WITH UNIT)

CAUTION

Air from the room is used to cool the unit. Maximum ambient room temperature should be 80°F. It is recommended that you place your booth no closer than 6" from any wall. Make sure nothing obstructs the airflow into or out of the fan openings. A poorly ventilated room may cause the unit to become hot and cause discomfort to the user.



CALL FOR SERVICE OR QUESTIONS: 1•800•449•3605
7445 Company Drive, Indianapolis, IN 46237-9296