



Velocity 918HP

Sample Nameplate

(Location shown in illustration on reverse)

Manufactured by	
	
16016 Campoligure - Genoa - Italy	
Model	VELOCITY 05 - UP
Serial Number	YBU0501xxxx
Date	(month) (year)
Electrical Power	18,9 kVA - 55A
Power Supply	220V 3 Phase
Frequency	60 Hz
Session Time	15 Min. Max
Lamps	Heraeus OH50/100
	
Made in Italy	

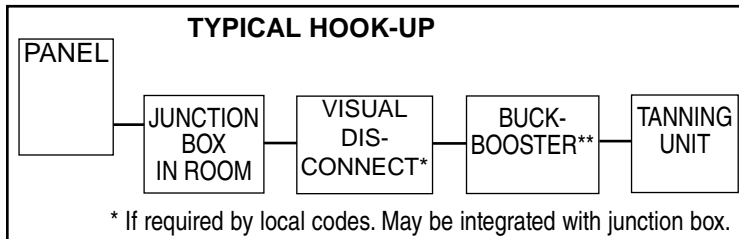
Electrical Requirements

- The **Velocity® 918HP** sunbed operates from a 3-phase (three wire plus ground) 220V AC power source. The unit should be wired to a dedicated circuit. The unit draws 55A, 3-phase. Minimum recommended circuit breaker is 80A.
- No power cord supplied. You must run cable to the terminal block inside the unit (see illustration below).
- A T-Max® 3A is supplied to interface with the unit (see illustration below). The salon T-Max® cable (RJ-22) plugs into the 3A, which may be placed anywhere in the room accessible to the tanner. The 3A requires a standard 110V AC outlet.

WARNING

To maintain your T-Max® warranty use only approved modular cables, available from T-Max® or ETS, Inc., connected in a "daisy chain" fashion.

TYPICAL HOOK-UP

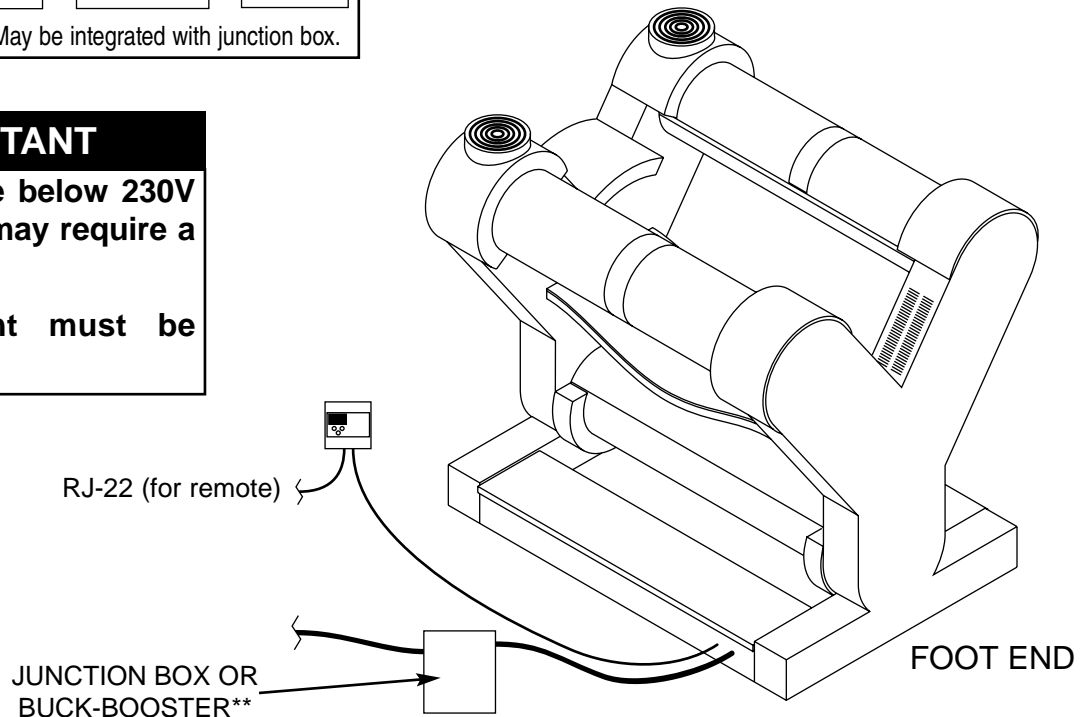


**IMPORTANT

Voltage must be below 230V AC (loaded) or may require a Buck-Booster.

This equipment must be grounded.

REAR OF UNIT SHOWN

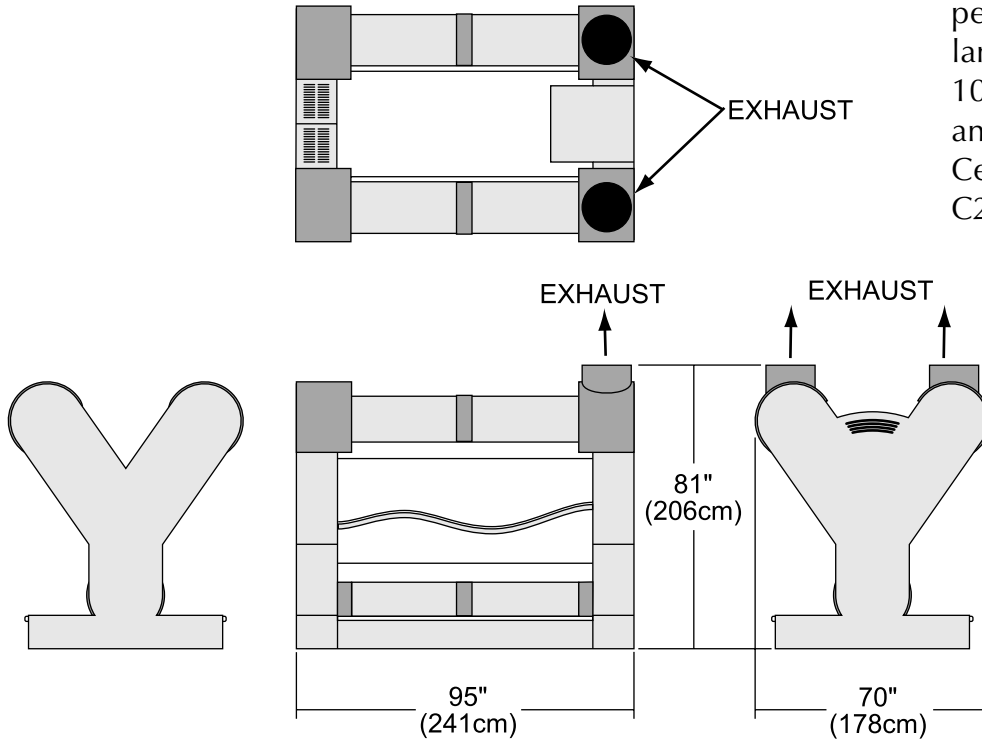


Spec Sheet - Velocity 918HP continued

Physical Specs

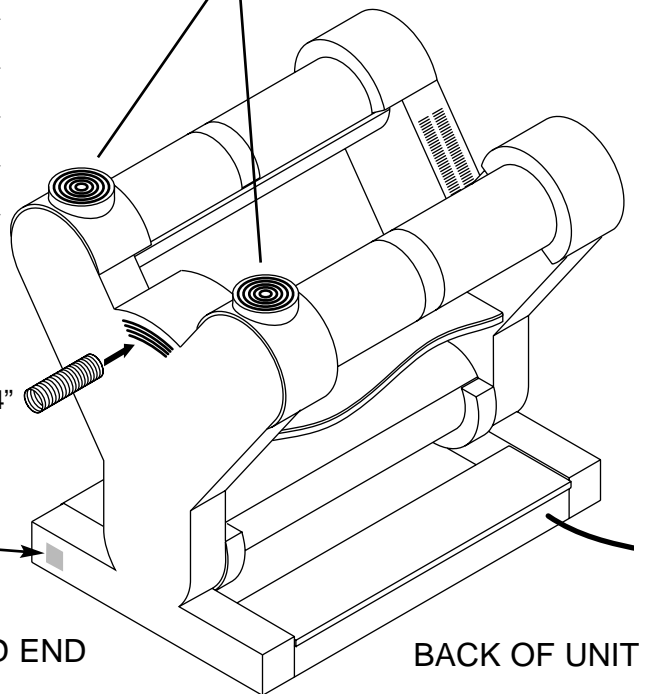
This product is in conformity with performance standards for sun lamp products under 21 CFR PART 1040.20, ANSI/UL Standard 482 and UL Standard 1598.

Certified to CAN/CSA Standard C22.2 NO. 224 and 250.0.



Overall Size	See above
Recommended Room Size	11' x 9' (3.4m x 2.7m)
Minimum Room Size	10'-6" x 8' (3.2m x 2.4m)
Weight	1585lbs (720.5kg)
Exhaust	Two 12" diameter ducts
Exhaust cfm	2 x 932cfm fan
Recommended A/C Tonnage (room)	3 (minimum)
A/C inlet (optional, see below)	Flex duct to head end
Remote Cable	RJ-11 to back, foot end

CONNECT 12" FLEXIBLE DUCT HERE
(TWO 10' SECTIONS SUPPLIED WITH UNIT)



OPTIONAL: Use wire ties to attach 3 1/2" or 4" flexible duct for A/C.

CAUTION

Air from the room is used to cool the unit. Maximum ambient room temperature should be 80°F. It is recommended that you place your booth no closer than 6" from any wall. Make sure nothing obstructs the airflow into or out of the fan openings. A poorly ventilated room may cause the unit to become hot and cause discomfort to the user.



CALL FOR SERVICE OR QUESTIONS: 1-800-449-3605
7445 Company Drive, Indianapolis, IN 46237-9296