

SS756V

Sample Nameplate

(Location shown in illustration bottom)


MODEL: S-756V

U= 220 V 60 Hz P= 15.4K

I= 40 A Pf Φ= >0.9 Phase 1

MFG. DATE: (month) (year)

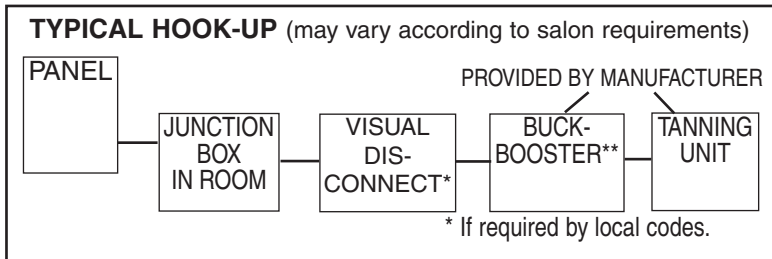
S/N XXXXXXXXX



ETS LLC. 7445 COMPANY DR. INDIANAPOLIS, IN. 46237

Electrical Requirements

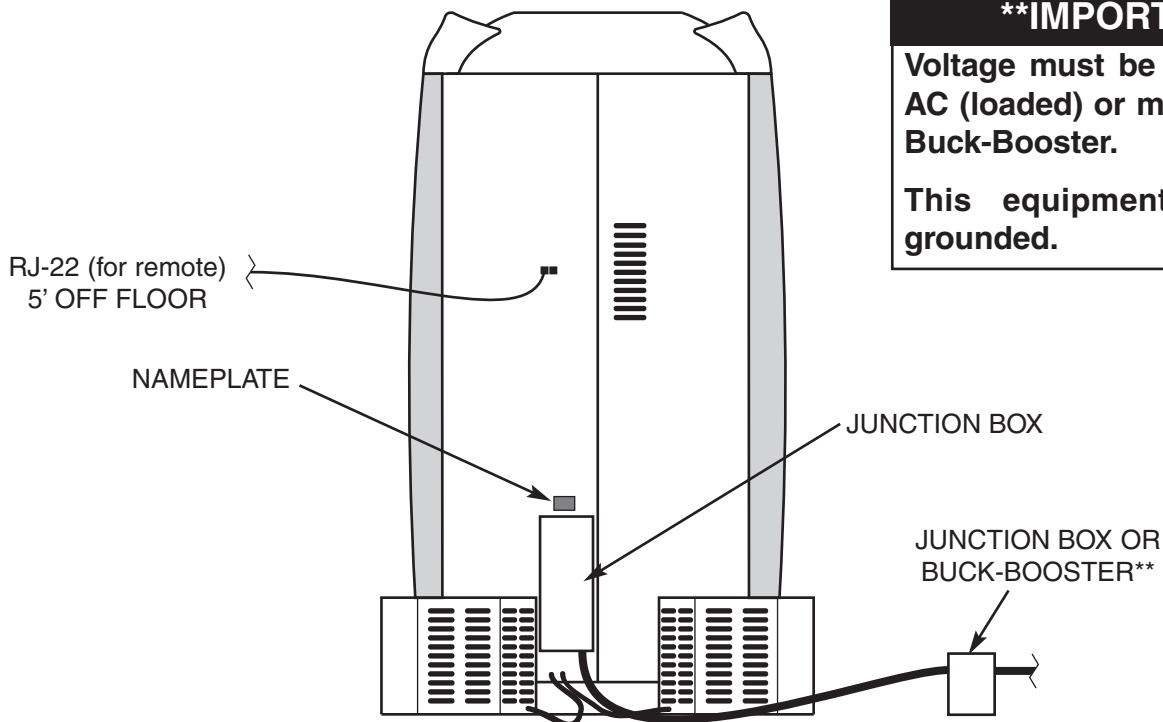
- The **SS756V** booth operates from either a 3-phase (three wire plus ground) or 1-phase (two wire plus ground) 220V AC power source. The unit should be wired to a dedicated circuit. The unit draws 40A, 3-phase or 69A, 1-phase. Minimum recommended circuit breakers are 50A and 80A respectively.
- A junction box is located on the back of the unit (see illustration, bottom). No power cord supplied.
- The T-Max® cable (RJ-22) plugs into the unit directly above the power cable (see illustration below). The RJ-22 jack is approximately 5' off the floor.



WARNING

To maintain your T-Max® warranty use only approved modular cables or wireless modules, available from T-Max® or ETS, LLC.

REAR OF UNIT SHOWN



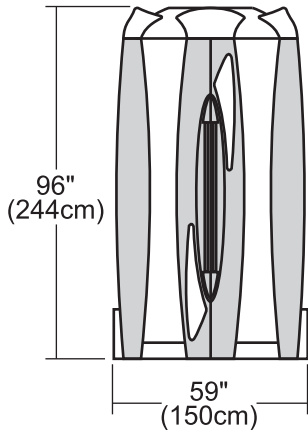
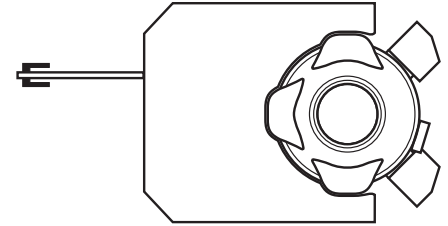
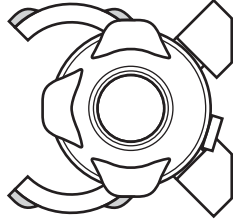
****IMPORTANT**

Voltage must be below 230V AC (loaded) or may require a Buck-Booster.

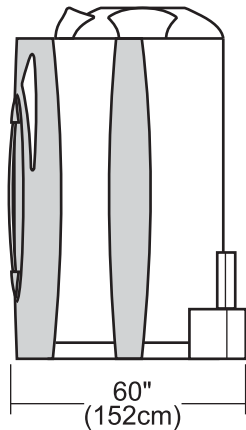
This equipment must be grounded.

Spec Sheet - 756V continued

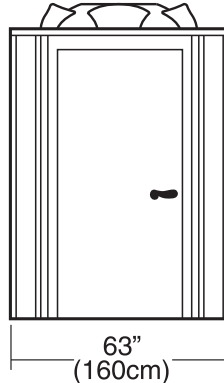
Physical Specs



(Doors closed)

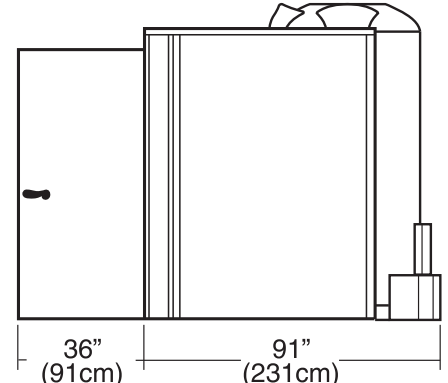


(Doors open)



63"
(160cm)

(Dressing room shown with door open)



36"
(91cm)

91"
(231cm)

BOOTH ALONE

WITH AVAILABLE DRESSING ROOM

Overall Size See above

Recommended Room Size 8'L x 7'W x 9'H (2.4m x 2.1m x 2.7m)

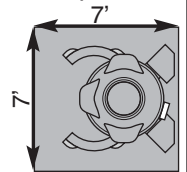
Minimum Room Size* 7'L x 7'W x 9'H (2.1m x 2.1m x 2.7m)

Weight 1000lbs (455kg)

Remote Cable RJ-22 to back

Recommended A/C Tonnage 2.0

*** NOTE:** Minimum room size **does not** account for swinging doors. Be sure to adjust construction plans accordingly.



⚠ CAUTION

Air from the room is used to cool the unit. Maximum ambient room temperature should be 80°F. It is recommended that you place your booth no closer than 6" from any wall. Make sure nothing obstructs the airflow into or out of the fan openings. A poorly ventilated room may cause the unit to become hot and cause discomfort to the user.

This product is in conformity with performance standards for sun lamp products under 21 CFR PART 1040.20 and ANSI/UL Standard 482. Certified to CAN/CSA Standard C22.2 NO. 224.



CALL FOR SERVICE OR QUESTIONS: 1•800•449•3605
7445 Company Drive, Indianapolis, IN 46237-9296