

# SolarForce 652V

Sample Nameplate

(Location shown in illustration bottom)


**MODEL: S-652V**

**U= 220 V    60 Hz    P= 8140 W**

**I= 37 A    Pf Φ= >0.9    Phase 1**

**MFG. DATE: (month) (year)**

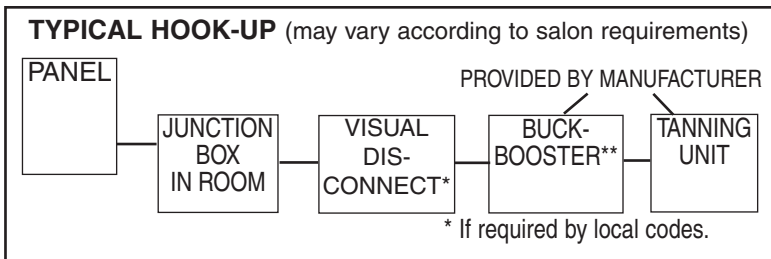
**S/N XXXXXXXXX**



ETS LLC. 7445 COMPANY DR. INDIANAPOLIS, IN. 46237

**Electrical Requirements**

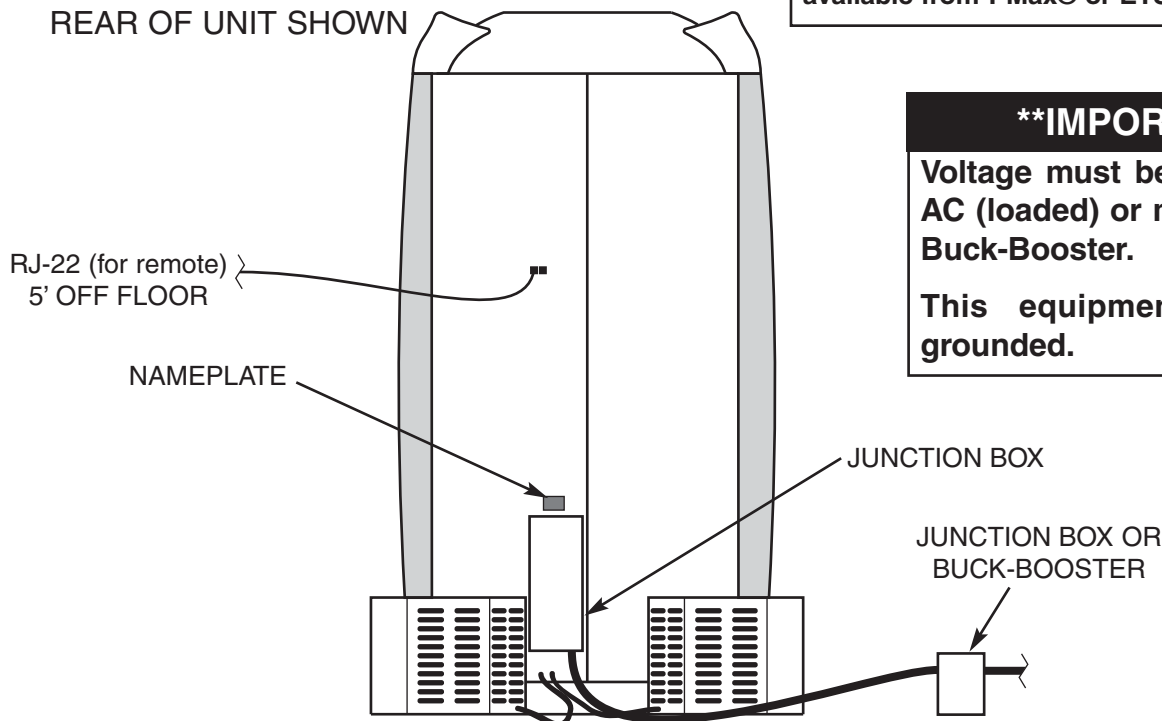
- The **SolarForce® 652V** operates from either a 3-phase (three wire plus ground) or 1-phase (two wire plus ground) 220V AC power source. The unit should be wired to a dedicated circuit. This unit must be hardwired directly to a junction box (or buck-booster\*\*). The unit draws 37A, 3-phase or 62A, 1-phase. Minimum recommended circuit breakers are 50A and 80A respectively.
- A junction box is located on the back of the unit (see illustration, bottom). No power cord supplied.
- The T-Max® remote system plugs into the unit directly above the power cable (see illustration below). The jack is approximately 5' off the floor. The unit accepts both RJ-22 "daisy-chain" or T-Max® wireless remote.



**WARNING**

To maintain your T-Max® warranty use only approved modular cables or wireless modules, available from T-Max® or ETS, LLC.

REAR OF UNIT SHOWN



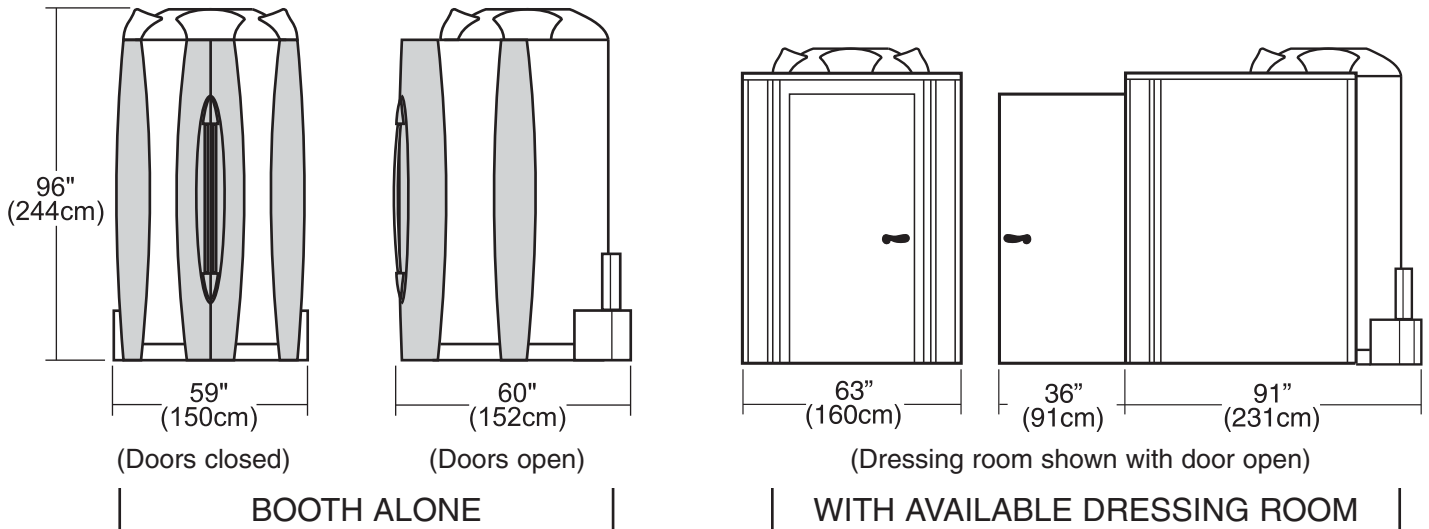
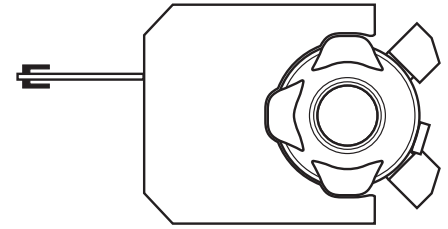
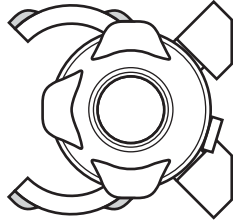
**\*\*IMPORTANT**

Voltage must be below 230V AC (loaded) or may require a Buck-Booster.

This equipment must be grounded.

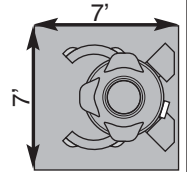
# Spec Sheet - 652V continued

## Physical Specs



Overall Size	See above
Recommended Room Size	8'L x 7'W x 9'H (2.4m x 2.1m x 2.7m)
Minimum Room Size*	7'L x 7'W x 9'H (2.1m x 2.1m x 2.7m)
Weight	approx. 920lbs (418kg)
Remote Cable	RJ-22 to back
Recommended A/C Tonnage	1.75

\* **NOTE:** Minimum room size **does not** account for swinging doors. Be sure to adjust construction plans accordingly.



### ⚠ CAUTION

Air from the room is used to cool the unit. Maximum ambient room temperature should be 80°F. It is recommended that you place your booth no closer than 6" from any wall. Make sure nothing obstructs the airflow into or out of the fan openings. A poorly ventilated room may cause the unit to become hot and cause discomfort to the user.

This product is in conformity with performance standards for sun lamp products under 21 CFR PART 1040.20 and ANSI/UL Standard 482. Certified to CAN/CSA Standard C22.2 NO. 224.



**ets**tan  
your partner in tanning™

**CALL FOR SERVICE OR QUESTIONS: 1•800•449•3605**  
7445 Company Drive, Indianapolis, IN 46237-9296