

SolarForce 652V

Sample Nameplate

(Location shown in illustration bottom)


MODEL: P-652V **W**

U= 220 V 60 Hz P= 12100

I= 55 A Pf Φ = >0.9 Phase 1

MFG. DATE: (month) (year)

S/N SPIHXXXXX

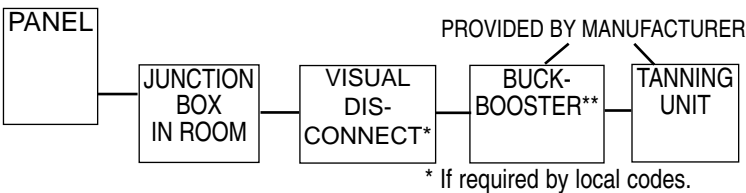


ETS, INC. INDIANAPOLIS, IN.

Electrical Requirements

- The **SolarForce® 652V** operates from a 220V AC power source. The unit should be wired to a dedicated circuit. This unit must be hardwired directly to a junction box (or buck-booster**).
- A junction box is located on the back of the unit (see illustration, bottom). No power cord supplied.
- The T-Max® cable (RJ-22) plugs into the unit directly above the power cable (see illustration below). The RJ-22 jack is approximately 5' off the floor.

TYPICAL HOOK-UP (may vary according to salon requirements)



WARNING

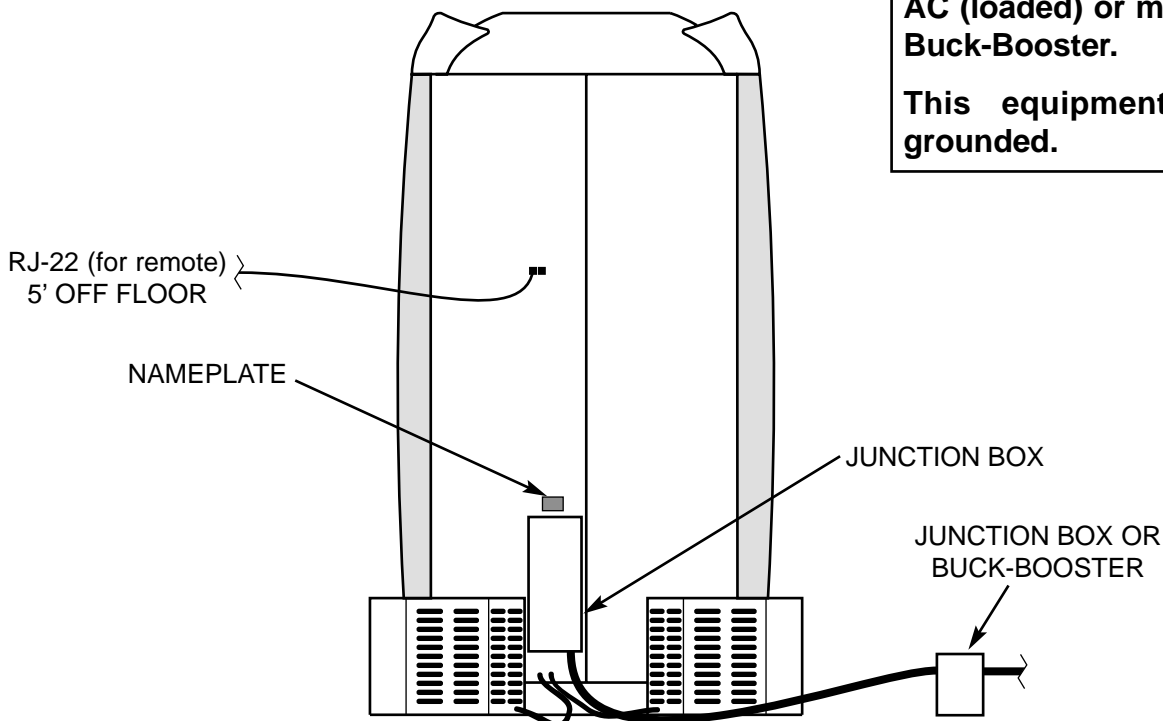
To maintain your T-Max® warranty use only approved modular cables, available from T-Max® or ETS, Inc., connected in a "daisy chain" fashion.

**IMPORTANT

Voltage must be below 230V AC (loaded) or may require a Buck-Booster.

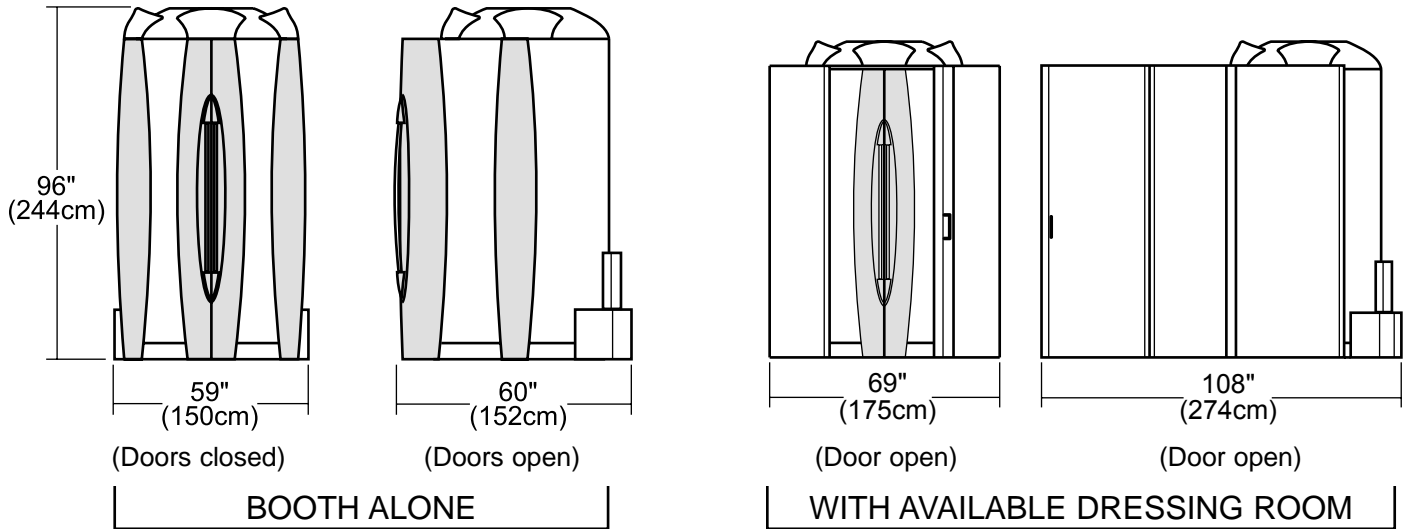
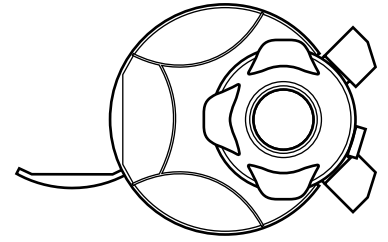
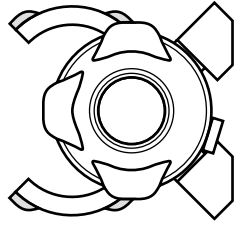
This equipment must be grounded.

REAR OF UNIT SHOWN



Spec Sheet - 652V continued

Physical Specs



Overall Size	See above
Minimum Room Size	7' x 7' (2.1m x 2.1m)
Recommended Room Size	8'D x 7'W (2.4m x 2.1m)
Weight	approx. 900lbs (409kg)
Remote Cable	RJ-22 to back
Recommended A/C Tonnage	3.43

⚠ CAUTION

Air from the room is used to cool the unit. Maximum ambient room temperature should be 80°F. It is recommended that you place your booth no closer than 6" from any wall. Make sure nothing obstructs the airflow into or out of the fan openings. A poorly ventilated room may cause the unit to become hot and cause discomfort to the user.

This product is in conformity with performance standards for sun lamp products under 21 CFR PART 1040.20 and ANSI/UL Standard 482. Certified to CAN/CSA Standard C22.2 NO. 224.



CALL FOR SERVICE OR QUESTIONS: 1-800-449-3605
7445 Company Drive, Indianapolis, IN 46237-9296