


# SolarForce 648

Sample Nameplate

**MODEL: S-648-4FH**  
**U= 220 V    60 Hz    P= 13.9K**  
**I= 63 A    Pf  $\Phi$ = >0.9    Phase 1**  
**MFG. DATE: (month) (year)**  
**S/N XXXXXXXXX**  
  
 ETS LLC. 7445 COMPANY DR. INDIANAPOLIS, IN. 46237

Located behind front access panel, on underside of bench reflector. See illustration on reverse.

## Electrical Requirements

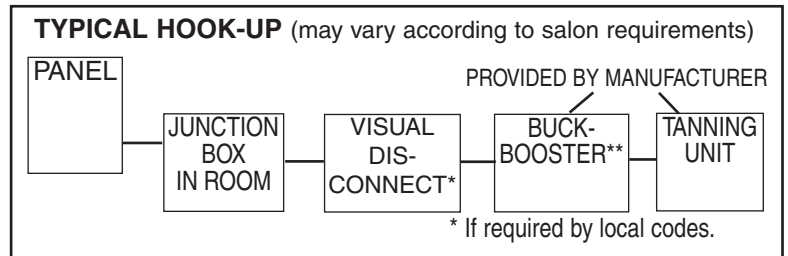
- The **SolarForce® 648** operates from a 1-phase (two wire plus ground) 220V AC power source\*\*. The unit should be wired to a dedicated circuit. Minimum recommended circuit breaker is 80A.
- A junction box is located inside the back panel of the unit (see illustration, bottom). No power cord supplied.
- The T-Max® cable (RJ-22) plugs into a small black box attached to the back of the unit (see illustration bottom). This box is at the center of the unit, about 30" from the floor.

**\*\*IMPORTANT**  
**Voltage must be below 230V AC (loaded) or may require a Buck-Booster.**  
**This equipment must be grounded.**

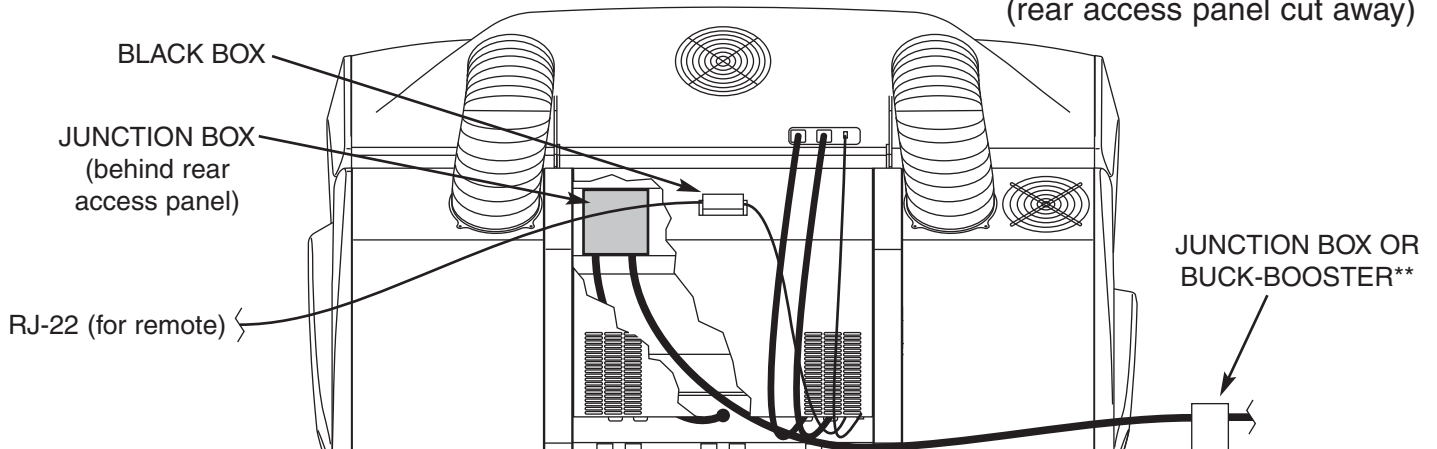
**WARNING**  
**To maintain your T-Max® warranty use only approved modular cables or wireless modules, available from T-Max® or ETS, LLC.**



This product is in conformity with performance standards for sun lamp products under 21 CFR PART 1040.20 and ANSI/UL Standard 482. Certified to CAN/CSA Standard C22.2 NO. 224.

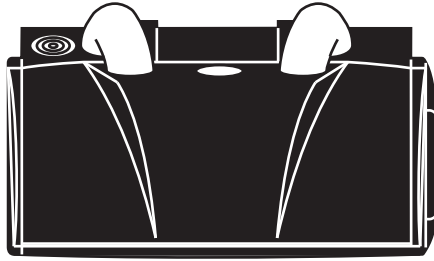


REAR OF UNIT SHOWN  
 (rear access panel cut away)

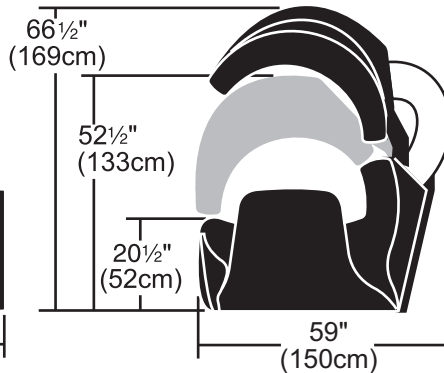
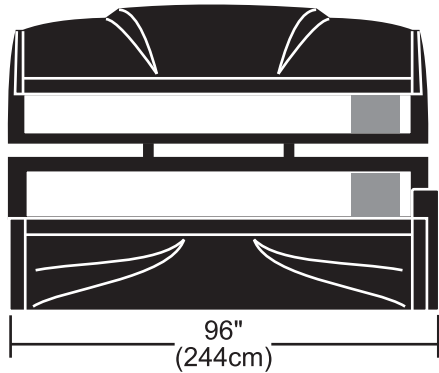


# Spec Sheet - 648 continued

## Physical Specs

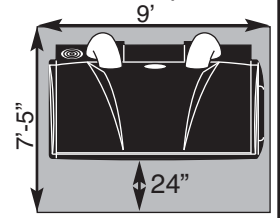


**⚠ CAUTION**  
 Air from the room is used to cool the unit. Maximum ambient room temperature should be 80°F. It is recommended that you place your sunbed no closer than 6" from side walls. Make sure nothing obstructs the airflow into or out of the fan openings. A poorly ventilated room may cause the unit to become hot and cause discomfort to the user.

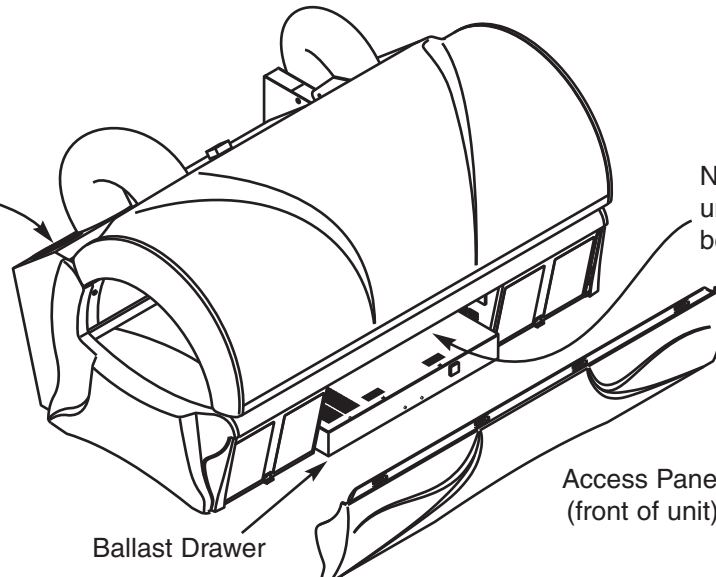


Overall Size	See above
Recommended Room Size	10' x 10' (3m x 3m)
Minimum Room Size*	9'L x 7'-5"W (2.7m x 2.3m)
Weight (approx.)	1200 lbs (546 kg)
Exhaust (optional)	One 10" diameter duct
Exhaust cfm	2000cfm blower
Recommended A/C Tonnage (room)	1.75
Remote Cable	RJ-22

\* **NOTE:** Minimum room size **does not** account for swinging doors. Be sure to adjust construction plans accordingly.



This fan grill may be removed for optional 10" flexible exhaust duct. Adapter flange and hose clamp supplied with unit.



Nameplate on underside of bench reflector

Access Panel (front of unit)

Ballast Drawer



**CALL FOR SERVICE OR QUESTIONS: 1•800•449•3605**  
 7445 Company Drive, Indianapolis, IN 46237-9296