

SolarForce 648

Sample Nameplate


MODEL: N-648SFORCEB **W**

U= 220 V 60 Hz P= 12.1K

I= 55 A Pf Φ = >0.9 Phase 1

MFG. DATE: (month) (year)

S/N SPIHXXXXX



SPECTRUM PRODUCTS, INC. INDIANAPOLIS, IN.

Located behind front access panel, on underside of bench reflector. See illustration on reverse.

Electrical Requirements

- The **SolarForce® 648** operates from a 1-phase (two wire plus ground) 220V AC power source**. The unit should be wired to a dedicated circuit.
- A junction box is located inside the back panel of the unit (see illustration, bottom). No power cord supplied.
- The T-Max® cable (RJ-22) plugs into a small black box attached to the back of the unit (see illustration bottom). This box is at the center of the unit, about 30" from the floor.

****IMPORTANT**

Voltage must be below 230V AC (loaded) or may require a Buck-Booster.

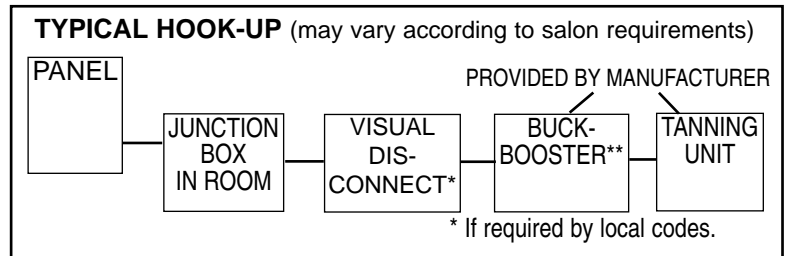
This equipment must be grounded.

WARNING

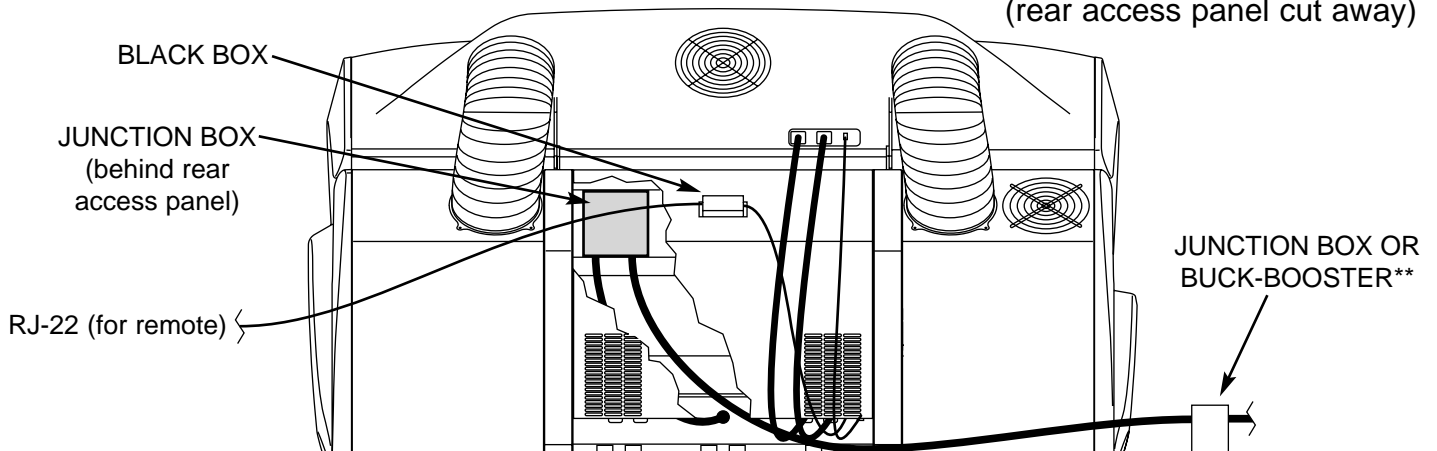
To maintain your T-Max® warranty use only approved modular cables, available from T-Max® or ETS, Inc., connected in a "daisy chain" fashion.



This product is in conformity with performance standards for sun lamp products under 21 CFR PART 1040.20 and ANSI/UL Standard 482. Certified to CAN/CSA Standard C22.2 NO. 224.



REAR OF UNIT SHOWN
(rear access panel cut away)

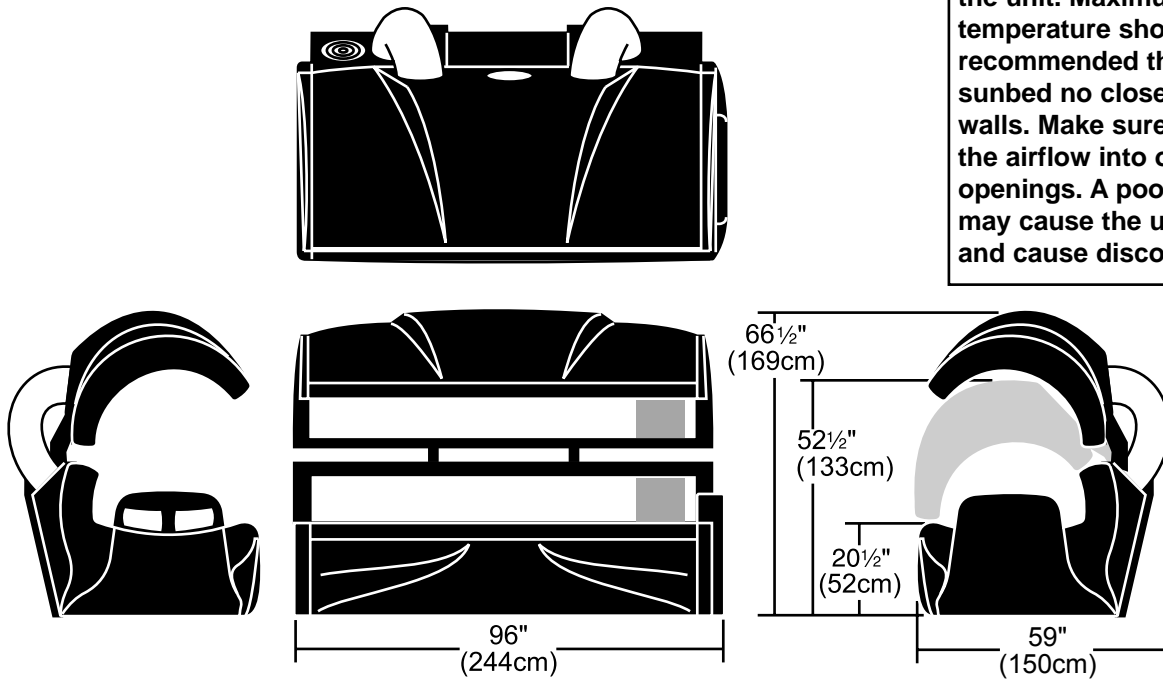


Spec Sheet - 648 continued

Physical Specs

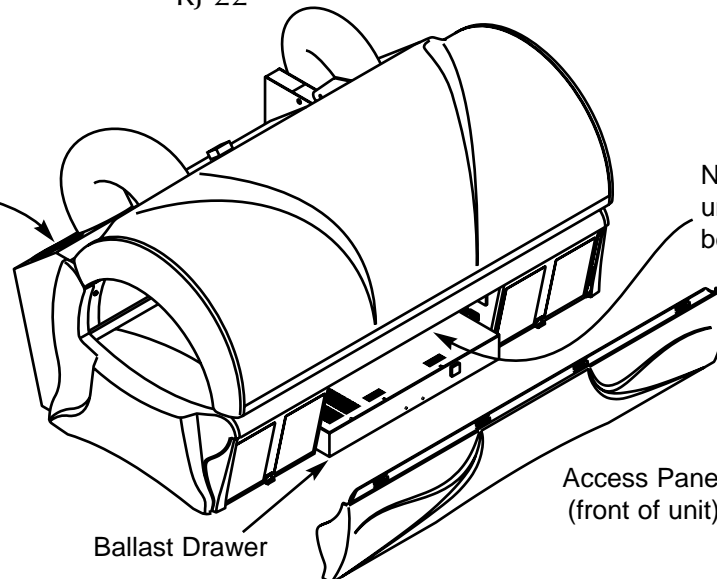
⚠ CAUTION

Air from the room is used to cool the unit. Maximum ambient room temperature should be 80°F. It is recommended that you place your sunbed no closer than 6" from side walls. Make sure nothing obstructs the airflow into or out of the fan openings. A poorly ventilated room may cause the unit to become hot and cause discomfort to the user.



Overall Size	See above
Minimum Room Size	9' x 10' (2.7m x 3m)
Recommended Room Size	10' x 10' (3m x 3m)
Weight (approx.)	1200 lbs (546 kg)
Exhaust (optional)	One 10" diameter duct
Exhaust cfm	2000cfm blower
Recommended A/C Tonnage (room)	3.43
Remote Cable	RJ-22

This fan grill may be removed for optional 10" flexible exhaust duct. Adapter flange and hose clamp supplied with unit.



CALL FOR SERVICE OR QUESTIONS: 1•800•449•3605
7445 Company Drive, Indianapolis, IN 46237-9296